



十速

TM52F2280/80B/84/84B

DATA SHEET

Rev 0.95

tenx reserves the right to change or discontinue the manual and online documentation to this product herein to improve reliability, function or design without further notice. **tenx** does not assume any liability arising out of the application or use of any product or circuit described herein; neither does it convey any license under its patent rights nor the rights of others. **tenx** products are not designed, intended, or authorized for use in life support appliances, devices, or systems. If Buyer purchases or uses **tenx** products for any such unintended or unauthorized application, Buyer shall indemnify and hold **tenx** and its officers, employees, subsidiaries, affiliates and distributors harmless against all claims, cost, damages, and expenses, and reasonable attorney fees arising out of, directly or indirectly, any claim of personal injury or death associated with such unintended or unauthorized use even if such claim alleges that **tenx** was negligent regarding the design or manufacture of the part.

AMENDMENT HISTORY

Version	Date	Description
V0.90	Nov, 2014	New release.
V0.91	Feb, 2015	Remark: DS-TM52F2280&84_ change Doc No. to DS-TM52F2280&80B&84&84B_E. 1. VCON setting guide (p23) 2. LVR setting guide (p25) 3. Add F2280B/F2284B device 4. Device comparison table 5. IAPWE description
V0.92	Nov, 2015	Add LVR1/POR vs Temperature Diagram (page 88) Add SRC Diagram (page 87) CLKPSC description (page 28)
V0.93	Mar, 2016	Modify ICE Mode Connection Diagram (page 70)
V0.94	Mar, 2017	1. LED DC mode description (p8, p60, p85) 2. modify Flash endurance (p17) 3. VCON limitation in ICE mode (p23) 4. add Stop mode description (p30, p35) 5. other details
V0.95	Jun, 2018	Modify min. VDD voltage

CONTENTS

AMENDMENT HISTORY	2
TM52 F22xx FAMILY	5
GENERAL DESCRIPTION	6
BLOCK DIAGRAM	6
FEATURES	7
PIN ASSIGNMENT	10
PIN DESCRIPTION	11
PIN SUMMERY	12
FUNCTIONAL DESCRIPTION	14
1. CPU Core	14
1.1 Accumulator (ACC)	14
1.2 B Register (B)	14
1.3 Stack Pointer (SP)	14
1.4 Dual Data Pointer (DPTRs)	15
1.5 Program Status Word (PSW)	15
2. Memory	17
2.1 Program Memory	17
2.2 Data Memory	20
3. Power Management	22
4. Reset	25
4.1 Power on Reset	25
4.2 External Pin Reset	25
4.3 Software Reset	25
4.4 Watch Dog Timer Reset	25
4.5 Low Voltage Reset #1 (LVR1)	25
4.6 Low Voltage Reset #2 (LVR2)	25
5. Clock Circuitry & Operation Mode	27
5.1 System Clock	27
5.2 Operation Modes	30
6. Interrupt & Wake-up	31
6.1 Interrupt Enable and Priority Control	31
6.2 Pin Interrupt	34
6.3 Idle mode Wake up and Interrupt	35
6.4 Stop mode Wake up and Interrupt	35
7. I/O Ports	37
7.1 Port1 & Port3	37

7.2	P2.7.....	42
7.3	P2.6~P2.0 & Port0	42
8.	Timers.....	45
8.1	Timer0 / Timer1	45
8.2	Timer2	47
8.3	Timer3	48
8.4	T1O, T1B and T2O output Control.....	50
9.	UART	51
10.	Resistance to Frequency Converter (RFC)	53
11.	LCD Driver	56
12.	LED Driver.....	60
13.	Touch Key (F2280/80B only)	61
14.	Serial Peripheral Interface (SPI)	65
15.	6-bit SAR ADC	69
16.	In Circuit Emulation (ICE) Mode	70
	SFR & CFGW MAP	71
	SFR & CFGW DESCRIPTION.....	73
	INSTRUCTION SET	82
	ELECTRICAL CHARACTERISTICS	85
	Absolute Maximum Ratings	85
	DC Characteristics	85
	BandGap Reference Voltage.....	86
	Clock Timing	86
	LVR1/POR Level.....	88
	PACKAGE INFORMATION	89
	Ordering Information	89
	Package Information	90

TM52 F22xx FAMILY
Common Feature

CPU	Flash Program memory	RAM bytes	Dual Clock	Operation Mode	Timer0 Timer1 Timer2	UART	Real-time Timer3	LBD	LVR
Fast 8051 (2T)	8K~32K with IAP, ISP, ICP	512 ~ 2304	SXT SRC FXT FRC	Fast Slow Idle Stop	8051 Standard		0.5~61ppm Adjustable	2.4V ~ 3.1V	1.6V

Family Members Features

P/N	Flash	RAM bytes	IO Pin	RFC ADC	SAR ADC	Touch Key	LCD	LED	SPI	others
TM52-F2261	16K	768	32	3-ch	-	14-ch	43 x 10 1.0~1.5V adj.-Bias	30x6 40mA hi-Sink	Yes	-
TM52-F2264						-				
TM52-F2260	16K	1280	25	3-ch	-	-	36 x 4 1.0V bias	-	-	-
TM52-F2280B	8K	512	32	3-ch	6bit 7-ch	15-ch	23 x 8 1.0~1.5V adj.-Bias	10x4 40mA hi-Sink	Yes	-
TM52-F2284B						-				
TM52-F2230B	32K	2304	32	3-ch	6bit 7-ch	15-ch	-	-	Yes	PWM

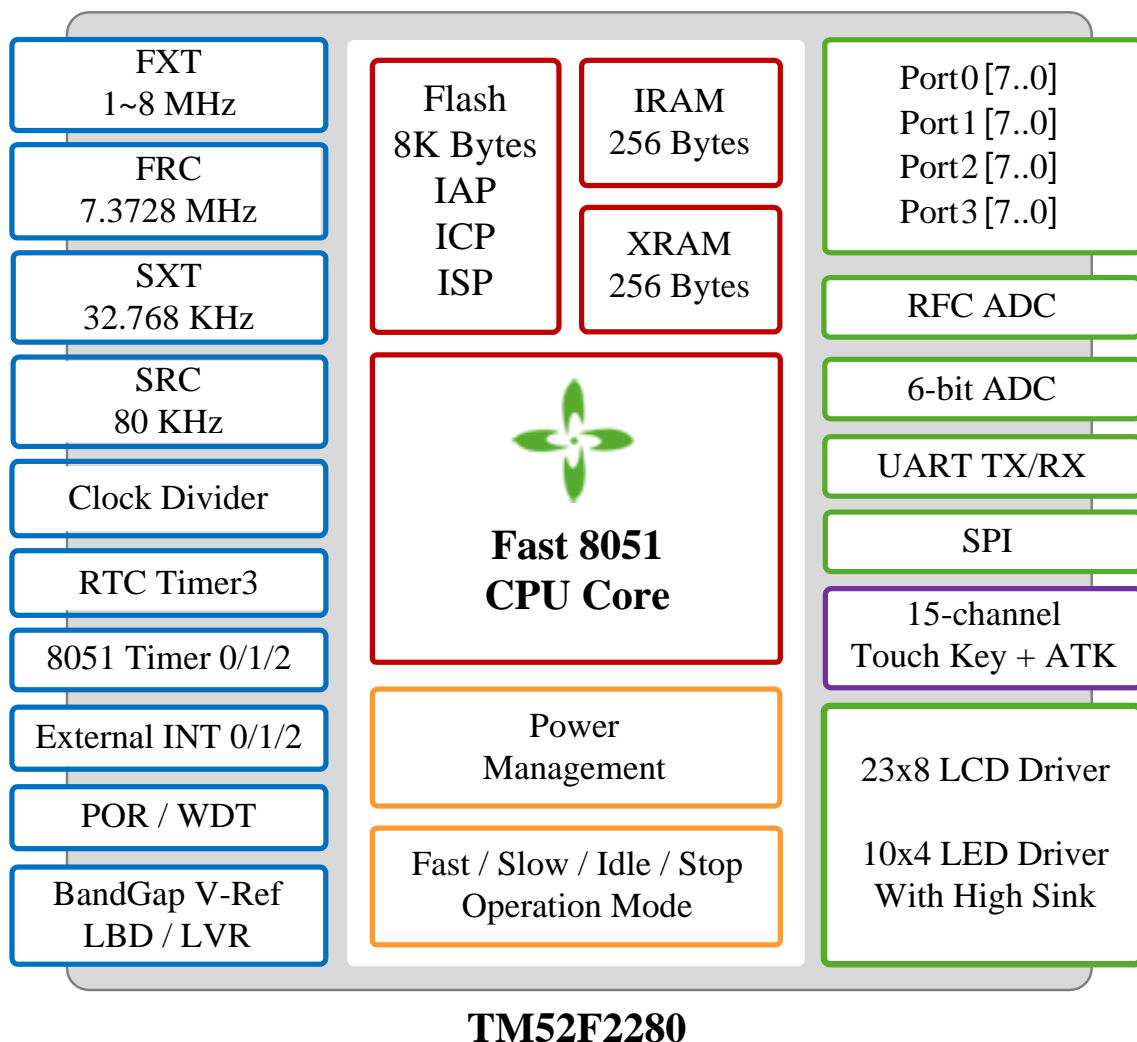
P/N	Operation Voltage	Idle Mode Current ($V_{BAT}=3V$) with 32KHz wake-up & LVR On				Max. System Clock (Hz)			
		TK Off LCD Off	TK Off LCD On	TK On LCD Off	TK On LCD On	SXT	SRC	FXT	FRC
TM52-F2261	2.0~4.2V	0.8uA	1.4uA	1.3uA	1.9uA	32K	-	-	4M
TM52-F2264				-	-				
TM52-F2260	2.0~4.2V	0.7uA	1.0uA	-	-	32K	-	-	4M
TM52-F2280B	2.0~5.5V	1.3uA	2.4uA	1.7uA	2.8uA	32K	80K	8M	7.37M
TM52-F2284B				-	-				
TM52-F2230B	2.0~5.5V	1.0uA	-	1.5uA	-	32K	80K	8M	7.37M

GENERAL DESCRIPTION

TM52_{series} **F2280/80B/84/84B** are versions of a new, fast 8051 architecture for an 8-bit microcontroller single chip with an instruction set fully compatible with industry standard 8051, C language development platform, and retains most 8051 peripheral's functional block. Typically, the **TM52-F2280/80B/84/84B** executes instructions six times faster than the standard 8051 architecture.

The **TM52-F2280/80B/84/84B** provides improved performance, lower cost and fast time-to-market by integrating features on the chip, including 8K Bytes Flash program memory, 512 Bytes SRAM, Low Voltage Reset (LVR1/2), Low Battery Detector (LBD), dual clock power saving operation mode, SPI Interface, 8051 standard UART and Timer0/1/2, adjustable real time clock Timer3, LCD/LED driver, 15 channels Touch Key with ATK (F2280/80B only), 6-bit SAR ADC, Resistance to Frequency Converter (RFC) and Watchdog Timer. Its high reliability and low power consumption feature can be widely applied in consumer and home appliance products.

BLOCK DIAGRAM



FEATURES

- 1. Standard 8051 Instruction set, fast machine cycle**
 - Executes instructions six times faster than the standard 8051.
- 2. 8K Bytes Flash Program Memory**
 - Support “In Circuit Programming” (ICP) or “In System Programming” (ISP) for the Flash code
 - Byte Write “In Application Programming” (IAP) mode is convenient as Data EEPROM access
 - Code Protection Capability
- 3. Total 512 Bytes SRAM (IRAM + XRAM)**
 - 256 Bytes IRAM in the 8051 internal data memory area
 - 256 Bytes XRAM in the 8051 external data memory area (accessed by MOVX Instruction)
- 4. Five System Clock type Selections**
 - Fast clock from Crystal (FXT, 1~8 MHz)
 - Fast clock from Internal RC (FRC, 7.3728 MHz @ $V_{BAT} = 2.2V \sim 5.5V$)
 - Fast clock from External RC (RFC)
 - Slow clock from Crystal (SXT, 32768Hz)
 - Slow clock from Internal RC (SRC, 80KHz @ $V_{DD} = 3V$, 40KHz @ $V_{DD} = 1.5V$)
 - System Clock can be divided by 1/2/4/8/16/32 option
 - System Clock output pin (TCO) for EL / IR application
- 5. 8051 Standard Timer – Timer0 / 1 / 2**
 - 16-bit Timer0, also supports RFC or SXT clock input counting
 - 16-bit Timer1, also supports T1O / T1B clock output for Buzzer / IR application
 - 16-bit Timer2, also supports T2O clock output for Buzzer / IR application
- 6. 23-bit Timer3 used for Real Time 32768Hz Crystal counting**
 - ± 0.5 ppm ~ 61 ppm interrupt rate adjustable
 - MSB 8-bit overflow auto-reload
 - 0.25 sec, 0.5 sec, 1.0 sec or overflow Interrupt
- 7. 15-Channel Touch Key (F2280/80B only)**
 - 1~4 Key H/W Auto Scan Mode (ATK), Sensitivity Adjustable for each Key
 - Interrupt / Wake-up CPU while Key Pressed
- 8. 6-bit ADC for low pin count key scan**
 - Up to 100KHz conversion rate
- 9. Resistance to Frequency Converter (RFC)**
 - RFC clock divided by 1/4/16/64 signal can be assigned as Timer0 event count input
 - RFC clock can be used as System clock source

10. 8051 Standard UART

- One Wire UART option can be used for ISP or other application

11. SPI Interface

- Master or Slave mode selectable
- Programmable transmit bit rate
- Serial clock phase and polarity options
- MSB-first or LSB-first selectable

12. 11-Sources, 4-level priority Interrupt

- Timer0 / Timer1 / Timer2 / Timer3 Interrupt
- INT0 / INT1 Falling-Edge / Low-Level Interrupt
- Port1 Pin Change Interrupt
- UART TX/RX Interrupt
- P2.7 (INT2) Interrupt
- Touch Key Interrupt
- SPI Interrupt

13. Pin Interrupt can Wake up CPU from Power-Down (Stop) mode

- P3.2 / P3.3 (INT0 / INT1) Interrupt & Wake-up
- P2.7 (INT2) Interrupt & Wake-up
- Each Port1 pin can be defined as Interrupt & Wake-up pin (by pin change)

14. Max. 32 Programmable I/O pins

- CMOS Output
- Pseudo-Open-Drain, or Open-Drain Output
- Schmitt Trigger Input
- Pin Pull-up can be Enabled or Disabled

15. LCD Controller / Driver

- 1/3 ~ 1/8 Duty
- 3 ~ 8 COM and 10 ~ 27 SEG selectable
- VLCD (VL3) = VBAT*3/5 ~ VBAT*5/5 (16 steps for Brightness adjustment)
- 1/3 LCD Bias, VL1 = VLCD/3, VL2 = VLCD*2/3
- Frame Rate: 40~90Hz

16. LED Controller / Driver

- 1/3 ~ 1/4 Duty
- Max. 4 COM x 10 SEG
- 40 mA High Sink COM, Active Low
- Active High or Active Low Segment output (all SEG pins support DC level output)

17. BandGap Voltage Reference for Low Battery Detection (LBD)

- Detect V_{BAT} voltage level from 2.4V to 4.5V

18. Built-in tiny current LDO Regulator for chip internal power supply (V_{DD})

- V_{DD} voltage level can be set to $0.5 \cdot V_{BAT} \sim 0.66 \cdot V_{BAT}$ in different mode

19. Watch Dog Timer based on System Clock

- Running in Fast / Slow Mode, Stop counting in Idle / Stop Mode
- 32K or 64K counts overflow Reset

20. Six types Reset

- Power on Reset
- Selectable External Pin Reset
- Selectable Watch Dog Reset
- Software Command Reset
- Selectable Battery Low Voltage Reset #1 (LVR1, when $V_{BAT} < 1.6V$)
- Selectable Battery Low Voltage Reset #2 (LVR2, when $V_{BAT} < 2.4V \sim 4.5V$)

21. 4 Power Operation Modes

- Fast / Slow / Idle / Stop Mode

22. On-chip Debug / ICE interface

- Use P1.2 / P1.3 pin, share with ICP programming pin

23. Operating Voltage and Current

- $V_{BAT} = 2.0V \sim 5.5V$
- 1.1uA LCD Current @ $V_{BAT} = 3V$
- 0.1uA LVR1 Current @ $V_{BAT} = 3V$
- 1.1uA SXT/SRC and System Clock Current @ $V_{DD} = 1.5V$
- 0.5uA Touch Key Current @ $V_{BAT} = 3V$
- Total 2.8uA Idle mode Current with LCD on, LVR1 on and TK scan @ $V_{BAT} = 3V, V_{DD} = 1.5V$

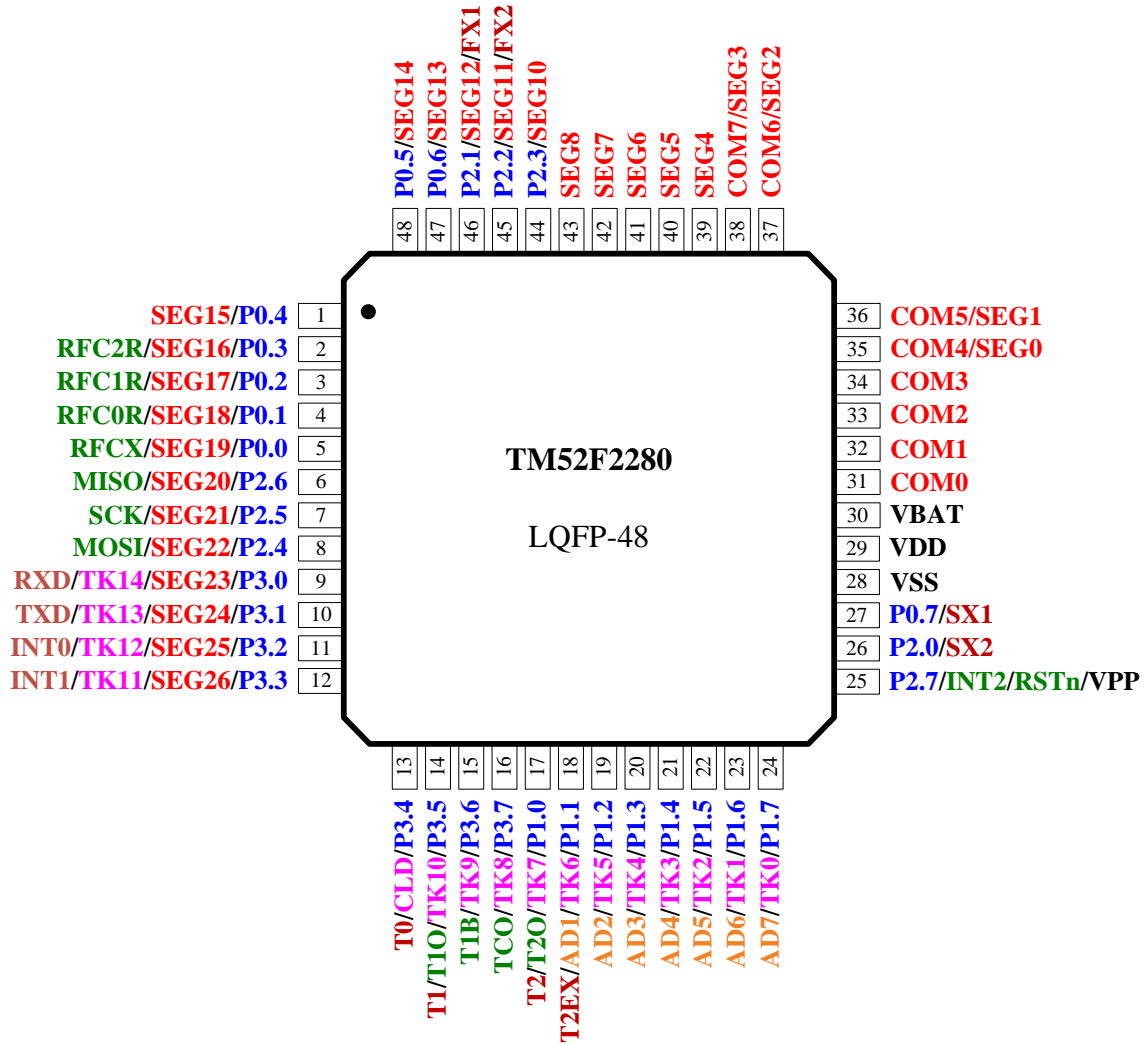
24. Operating Temperature Range

- $-40^{\circ}C \sim +85^{\circ}C$

25. 48-pin LQFP Package
F2280 / F2280B / F2284 / F2284B Features comparison table

Features	F2280	F2284	F2280B	F2284B
Touch Key	Yes	n.a.	Yes	n.a.
IAP Write Control	No IAPWE constrain		Need to enable IAPWE before IAP write	
Max. System Clock	6MHz, or FRC/2		8MHz, or FRC/1	

PIN ASSIGNMENT



PIN DESCRIPTION

Name	In/Out	Pin Description
P1.0~P1.7	I/O	Bit-programmable I/O port for Schmitt-trigger input, CMOS push-pull output or “open-drain” output. Pull-up resistors are assignable by software. These pin’s level change can interrupt/wake up CPU from Idle/Stop mode.
P3.0~P3.2	I/O	Bit-programmable I/O port for Schmitt-trigger input, CMOS push-pull output or “ pseudo open drain ” output. Pull-up resistors are assignable by software.
P3.3~P3.7	I/O	Bit-programmable I/O port for Schmitt-trigger input, CMOS push-pull output or “open-drain” output. Pull-up resistors are assignable by software.
P0.0~P0.7 P2.0~P2.6	I/O	Bit-programmable I/O port for Schmitt-trigger input or CMOS push-pull output. Pull-up resistors are assignable by software.
P2.7	I/O	Bit-programmable I/O port for Schmitt-trigger input or “open-drain” output. Pull-up resistor is fix enable.
INT0, INT1	I	External low level or falling edge Interrupt input, Idle/Stop mode wake up input
INT2	I	External falling edge Interrupt input, Idle / Stop mode wake up input
RXD	I/O	UART Mode0 transmit & receive data, Mode1/2/3 receive data
TXD	I/O	UART Mode0 transmit clock, Mode1/2/3 transmit data. In One Wire UART mode, this pin transmits and receives serial data.
MISO	I/O	SPI data input for Master mode, data output for Slave mode
MOSI	I/O	SPI data output for Master mode, data input for Slave mode
SCK	I/O	SPI clock output for Master or clock input for Slave mode
T0, T1, T2	I	Timer0, Timer1, Timer2 event count pin input
T2EX	I	Timer2 external trigger input
T1O, T1B	O	Positive and Negative signal pair of Timer1 overflow divided by 2/3/4 output
T2O	O	Timer2 overflow divided by 2/3/4 output
TCO	O	System Clock divided by 1/2/3/4 output
RFC0R~RFC2R	O	RFC resistor connection pin
RFCX	I	RFC clock input pin
SEG0~SEG9	O	LCD / LED segment output
SEG10~SEG26	O	LCD segment output
COM0~COM3	O	LCD / LED common output
COM4~COM7	O	LCD common output
AD1~AD7	I	6 bit ADC channel input
TK0~TK14	I	Touch Key Input (F2280/80B only)
CLD	I/O	Touch Key charge collection capacitor connection pin (F2280/80B only)
RSTn	I	External active low reset input, Pull-up resistor is fixed enable
SX1, SX2	–	32768 Crystal / Resonator oscillator connection for System Clock (SXT)
FX1, FX2	–	1~8 MHz Crystal / Resonator oscillator connection for System clock (FXT)
VPP	I	Flash memory programming high voltage input
VDD	–	LDO Regulator output and internal power supply, add 1 uF capacitor to V _{SS}
VBAT, VSS	P	Power input pin and ground, V _{BAT} is the I/O pin power supply

Note: Digital I/O pins voltage swing from V_{SS} to V_{BAT}.

PIN SUMMERY

LQFP-48	Pin Name	Type	After Reset		Input		Output			Alternative Function					
			Function	State	Wake up	Ext. Interrupt	CMOS P.P.	P.O.D.	O.D.	LCD	LED	Touch Key	ADC Input	Timer Input	Others
1	SEG15/P0.4	I/O	LCD	DL			•			•					
2	RFC2R/SEG16/P0.3	I/O	LCD	DL			•			•					RFC
3	RFC1R/SEG17/P0.2	I/O	LCD	DL			•			•					RFC
4	RFC0R/SEG18/P0.1	I/O	LCD	DL			•			•					RFC
5	RFCX/SEG19/P0.0	I/O	LCD	DL			•			•			•		RFC
6	MISO/SEG20/P2.6	I/O	LCD	DL			•			•					SPI
7	SCK/SEG21/P2.5	I/O	LCD	DL			•			•					SPI
8	MOSI/SEG22/P2.4	I/O	LCD	DL			•			•					SPI
9	RXD/TK14/SEG23/P3.0	I/O	LCD	DL			•	•		•		•			UART
10	TXD/TK13/SEG24/P3.1	I/O	LCD	DL			•	•		•		•			UART
11	INT0/TK12/SEG25/P3.2	I/O	LCD	DL	•	•	•	•		•		•			
12	INT1/TK11/SEG26/P3.3	I/O	LCD	DL	•	•	•		•	•		•			
13	T0/CLD/P3.4	I/O	I/O Input	PU			•		•			•		•	
14	T1/T10/TK10/P3.5	I/O	I/O Input	PU			•		•			•		•	Clock out
15	T1B/TK9/P3.6	I/O	I/O Input	PU			•		•			•			Clock out
16	TCO/TK8/P3.7	I/O	I/O Input	PU			•		•			•			Clock out
17	T2/T20/TK7/P1.0	I/O	I/O Input	PU	•	•	•		•			•		•	Clock out
18	T2EX/AD1/TK6/P1.1	I/O	I/O Input	PU	•	•	•		•			•	•	•	
19	AD2/TK5/P1.2	I/O	I/O Input	PU	•	•	•		•			•	•		
20	AD3/TK4/P1.3	I/O	I/O Input	PU	•	•	•		•			•	•		
21	AD4/TK3/P1.4	I/O	I/O Input	PU	•	•	•		•			•	•		
22	AD5/TK2/P1.5	I/O	I/O Input	PU	•	•	•		•			•	•		
23	AD6/TK1/P1.6	I/O	I/O Input	PU	•	•	•		•			•	•		
24	AD7/TK0/P1.7	I/O	I/O Input	PU	•	•	•		•			•	•		
25	VPP/RSTn/INT2/P2.7	I/O	I/O Input	PU	•	•			•						Reset/VPP
26	SX2/P2.0	I/O	I/O Input	PU			•								SXT
27	SX1/P0.7	I/O	I/O Input	PU			•								SXT
28	VSS	P	V _{SS}	-											
29	VDD	-	V _{DD}	-											
30	VBAT	P	V _{BAT}	-											

LQFP-48	Pin Name	Type	After Reset		Input		Output			Alternative Function					
			Function	State	Wake up	Ext. Interrupt	CMOS P.P.	P.O.D.	O.D.	LCD	LED	Touch-Key	Clock Output	Timer Input	Others Misc.
31	COM0	O	LCD	DL						•	•				
32	COM1	O	LCD	DL						•	•				
33	COM2	O	LCD	DL						•	•				
34	COM3	O	LCD	DL						•	•				
35	SEG0/COM4	O	LCD	DL						•	•				
36	SEG1/COM5	O	LCD	DL						•	•				
37	SEG2/COM6	O	LCD	DL						•	•				
38	SEG3/COM7	O	LCD	DL						•	•				
39	SEG4	O	LCD	DL						•	•				
40	SEG5	O	LCD	DL						•	•				
41	SEG6	O	LCD	DL						•	•				
42	SEG7	O	LCD	DL						•	•				
43	SEG8	O	LCD	DL						•	•				
-	SEG9	O	LCD	DL						•	•				
44	SEG10/P2.3	I/O	LCD	DL				•		•					
45	FX2/SEG11/P2.2	I/O	LCD	DL				•		•					FXT
46	FX1/SEG12/P2.1	I/O	LCD	DL				•		•					FXT
47	SEG13/P0.6	I/O	LCD	DL				•		•					
48	SEG14/P0.5	I/O	LCD	DL				•		•					

Symbol:

- P.P. = CMOS Push-Pull Output
- O.D. = Open Drain
- P.O.D. = Pseudo Open Drain
- PU = Pull up
- DL = Drive Low

FUNCTIONAL DESCRIPTION

1. CPU Core

In the 8051 architecture, the C programming language is used as a development platform. The TM52 device features a fast 8051 core in a highly integrated microcontroller, allowing designers to be able to achieve improved performance compared to a classic 8051 device. TM52 series microcontrollers provide a complete binary code with standard 8051 instruction set compatibility, ensuring an easy migration path to accelerate the development speed of system products. The CPU core includes an ALU, a program status word (PSW), an accumulator (ACC), a B register, a stack point (SP), DPTRs, a program counter, an instruction decoder, and core special function registers (SFRs).

1.1 Accumulator (ACC)

This register provides one of the operands for most ALU operations. Accumulators are generally referred to as A or Acc and sometimes referred to as Register A. In this document, the accumulator is represented as “A” or “ACC” including the instruction table. The accumulator, as its name suggests, is used as a general register to accumulate the intermediate results of a large number of instructions. The accumulator is the most important and frequently used register to complete arithmetic and logical operations. It holds the intermediate results of most arithmetic and logic operations and assists in data transportation.

SFR E0h	Bit 7	Bit 6	Bit 5	Bit 4	Bit 3	Bit 2	Bit 1	Bit 0
ACC	ACC.7	ACC.6	ACC.5	ACC.4	ACC.3	ACC.2	ACC.1	ACC.0
R/W	R/W	R/W	R/W	R/W	R/W	R/W	R/W	R/W
Reset	0	0	0	0	0	0	0	0

E0h.7~0 **ACC**: Accumulator

1.2 B Register (B)

The “B” register is very similar to the ACC and may hold a 1 Byte value. This register provides the second operand for multiply or divide instructions. Otherwise, it may be used as a scratch pad register. The B register is only used by two 8051 instructions, MUL and DIV. When A is to be multiplied or divided by another number, the other number is stored in B. For MUL and DIV instructions, it is necessary that the two operands be in A and B.

SFR F0h	Bit 7	Bit 6	Bit 5	Bit 4	Bit 3	Bit 2	Bit 1	Bit 0
B	B.7	B.6	B.5	B.4	B.3	B.2	B.1	B.0
R/W	R/W	R/W	R/W	R/W	R/W	R/W	R/W	R/W
Reset	0	0	0	0	0	0	0	0

F0h.7~0 **B**: B register

1.3 Stack Pointer (SP)

The SP register contains the Stack Pointer. The Stack Pointer is used to load the program counter into memory during LCALL and ACALL instructions and is used to retrieve the program counter from memory in RET and RETI instructions. The stack may also be saved or loaded using PUSH and POP instructions, which also increment and decrement the Stack Pointer. The Stack Pointer points to the top location of the stack.

SFR 81h	Bit 7	Bit 6	Bit 5	Bit 4	Bit 3	Bit 2	Bit 1	Bit 0
SP	SP							
R/W	R/W							
Reset	0	0	0	0	0	1	1	1

81h.7~0 **SP:** Stack Point

1.4 Dual Data Pointer (DPTRs)

TM52 device has two DPTRs, which share the same SFR address. Each DPTR is 16 bits in size and consists of two registers: the DPTR high byte (DPH) and the DPTR low byte (DPL). The DPTR is used for 16-bit-address external memory accesses, for offset code byte fetches, and for offset program jumps. Setting the DPSEL control bit allows the program code to switch between the two physical DPTRs.

SFR 82h	Bit 7	Bit 6	Bit 5	Bit 4	Bit 3	Bit 2	Bit 1	Bit 0
DPL	DPL							
R/W	R/W							
Reset	0	0	0	0	0	0	0	0

82h.7~0 **DPL:** Data Point low byte

SFR 83h	Bit 7	Bit 6	Bit 5	Bit 4	Bit 3	Bit 2	Bit 1	Bit 0
DPH	DPH							
R/W	R/W							
Reset	0	0	0	0	0	0	0	0

83h.7~0 **DPH:** Data Point high byte

SFR F8h	Bit 7	Bit 6	Bit 5	Bit 4	Bit 3	Bit 2	Bit 1	Bit 0
AUX1	–	–	–	TKSOC	CLRWDT	CLRTM3	STPRFC	DPSEL
R/W	–	–	–	R/W	R/W	R/W	R/W	R/W
Reset	–	–	–	0	0	0	0	0

F8h.0 **DPSEL:** Active DPTR Select

1.5 Program Status Word (PSW)

This register contains status information resulting from CPU and ALU operations. The instructions that affect the PSW are listed below.

Instruction	Flag		
	C	OV	AC
ADD	X	X	X
ADDC	X	X	X
SUBB	X	X	X
MUL	0	X	
DIV	0	X	
DA	X		
RRC	X		
RLC	X		
SETB C	1		

Instruction	Flag		
	C	OV	AC
CLR C	0		
CPL C	X		
ANL C, bit	X		
ANL C, /bit	X		
ORL C, bit	X		
ORL C, /bit	X		
MOV C, bit	X		
CJNE	X		

A “0” means the flag is always cleared, a “1” means the flag is always set and an “X” means that the state of the flag depends on the result of the operation.

SFR D0h	Bit 7	Bit 6	Bit 5	Bit 4	Bit 3	Bit 2	Bit 1	Bit 0
PSW	CY	AC	F0	RS1	RS0	OV	F1	P
R/W	R/W	R/W	R/W	R/W	R/W	R/W	R/W	R/W
Reset	0	0	0	0	0	0	0	0

D0h.7 **CY**: ALU carry flag

D0h.6 **AC**: ALU auxiliary carry flag

D0h.5 **F0**: General purpose user-definable flag

D0h.4~3 **RS1, RS0**: The contents of (RS1, RS0) enable the working register banks as:

00: Bank 0 (00h~07h)

01: Bank 1 (08h~0Fh)

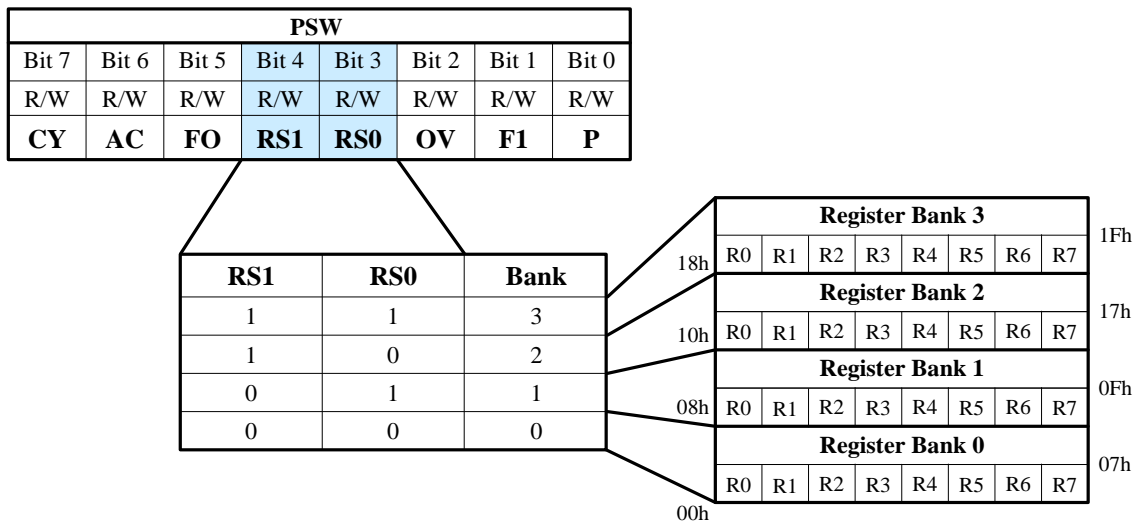
10: Bank 2 (10h~17h)

11: Bank 3 (18h~1Fh)

D0h.2 **OV**: ALU overflow flag

D0h.1 **F1**: General purpose user-definable flag

D0h.0 **P**: Parity flag. Set/cleared by hardware each instruction cycle to indicate odd/even number of “one” bits in the accumulator.



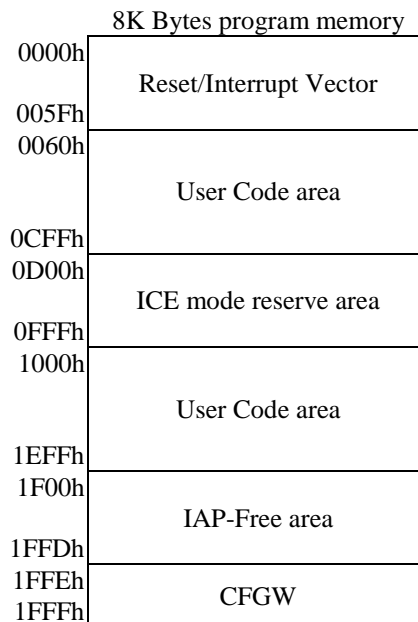
2. Memory

2.1 Program Memory

The **F2280/80B/84/84B** has an 8K Bytes Flash program memory, which can support In Circuit Programming (ICP), In Application Programming (IAP) and In System Programming (ISP) function modes. The Flash write endurance is at least 50K cycles. The Flash program memory address continuous space (0000h~1FFFh) is partitioned to several sectors for device operation.

2.1.1 Program Memory Functional Partition

The last 2 bytes (1FFEh~1FFFh) of program memory is defined as chip Configuration Word (CFGW), which is loaded into the device control registers upon power on reset (POR). The address space 1F00h~1FFDh is the IAP free area, while the 0000h~005Fh is occupied by Reset/Interrupt vectors as standard 8051 definition. In the in-circuit emulation (ICE) mode, user also needs to reserve the address space 0D00h~0FFFh for ICE System communication.



2.1.2 Flash ICP Mode

The Flash memory can be programmed by the tenx proprietary writer (**TWR98/TWR99**), which needs at least four wires (VBAT, VSS, P1.2, and P1.3 pins) to connect to this chip. To shorten the programming time, it is recommended to connect Writer with an additional fifth wire, which is the VPP (P2.7) pin. If the user wants to program the Flash memory on the target circuit board (In Circuit Program, ICP), these pins must be reserved sufficient freedom to be connected to the Writer. More pins connected to Writer ensure more writing efficiency and speed.

Writer wire number	Pin connection
4-Wire	VBAT, VSS, P1.2, P1.3
5-Wire	VBAT, VSS, P1.2, P1.3, VPP
6-Wire	VBAT, VSS, P1.2, P1.3, VPP, P1.0

2.1.3 Flash IAP Mode

The **F2280/80B/84/84B** has “In Application Program” (IAP) capability, which allows software to read/write data from/to the Flash memory during CPU run time as conveniently as data EEPROM access. The IAP function is byte writable, meaning that the **F2280/80B/84/84B** does not need to erase one Flash page before write. The available IAP data space is 254 Bytes after chip reset, and can be re-defined by the “MVCLOCK” and “IAPALL” control register as shown below.

8K Bytes Flash Program memory		Flash memory	MVCLOCK	IAPALL	MOVC Accessible	MOVX (IAP) Accessible
0000h	MOVC-Lock area	0000h~01FFh	1	X	No	No
01FFh			0	0	Yes	No
0200h			0	1	Yes	Yes
0200h	IAP-All area	0200h~1EFFh	X	0	Yes	No
1EFFh			X	1	Yes	Yes
1F00h	IAP-Free area	1F00h~1FFDh	X	X	Yes	Yes
1FFDh						
1FFEh	CFGW area	1FFEh	X	0	Yes	No
1FFFh			X	1	Yes	Yes
1FFFh			X	X	Yes	No

In IAP mode, the program Flash memory is separated into four sectors: MOVC-Lock area, IAP-All area, IAP-Free area, and CFGW area. These four sectors are regulated differently.

In the **MOVC-Lock area**, IAP read/write is limited by MVCLOCK bit, which can be set to control the accessibility of the MOVC and MOVX instructions to this area. The size of this area is 512 Bytes. The lock function is made to protect the main program code against unconsciously writing Flash memory in IAP mode. Locking or unlocking the function should be performed by the tenx TWR98/99 writing to the CFGW in Flash memory.

The **IAP-All area** is protected by the IAPALL register to prevent IAP mode from writing application data to the program area, resulting in a program code error that cannot be repaired. The size of this area is 7424 Bytes. Enabling IAPALL requires writing 65h to SFR SWCMD 97h to set the IAPALL control flag. Then, software can use MOVX instructions to write application data to flash memory from 0200h to 1EFFh. If user wants to disable IAPALL function, user can write other values to SFR SWCMD 97h to clear the IAPALL control flag. User must be careful not to overwrite program code which is already resided on the same Flash memory area.

The **IAP-Free area** has no control bit to protect. It can be used to reliably store system application data that needs to be programmed once or periodically during system operation. Other areas of Flash memory can be used to store data, but this area is usually the best. The size of this area is 254 Bytes, equivalent to an EEPROM, and Flash memory can provide byte access to read and write commands. In the past, storage of configuration data required an additional EEPROM or the other storage device. However, this functionality can now be provided by on-chip Flash, reducing the chip count of embedded applications. An external EEPROM or SRAM may not be needed.

The **CFGW area** has 2 data bytes (CFGWH and CFGWL), which is located at the last 2 addresses of Flash memory. The CFGWH is not accessible to IAP, while the CFGWL can be read or written by IAP in case the IAPALL flag is set. CFGWL is copied to the SFR F7h after power on reset, software then take over CFGWL’s control capability by modifying the SFR F7h. The CFGWL is defined as FRC adjustment register in **F2280/80B/84/84B**.

2.1.4 IAP Mode Access Routines

Flash IAP write is simply achieved by a “MOVX @DPTR, A” instruction while the DPTR contains the target Flash address (0~1FFEh), and the ACC contains the data being written. The F2280B/84B accepts IAP Write command only when the IAPWE SFR is enabled; but F2280/84 does not have such constrain. Flash IAP writing requires approximately 500uS. Meanwhile, the CPU stays in a waiting state, but all peripheral modules (Timers, LCD, and others) continue running during the writing time. The software must handle the pending interrupts after an IAP write. Flash IAP writing needs slower SYSCLK frequency as well as higher V_{DD} voltage. User must make a condition of 2.8V<V_{DD}<3.6V for IAP write.

Because the Program memory and the IAP data space share the same entity, a Flash IAP read can be performed by the “MOVX A, @DPTR” or “MOVC” instruction as long as the target address points to the 0~1FFFh area. A Flash IAP read does not require extra CPU wait time.

```

; IAP example code
; need 2.8V < VDD < 3.6V
MOV    DPTR, #1F00h      ; DPTR = 1F00h = target IAP address
MOV    A, #5Ah          ; A = 5Ah = target IAP write data
MOV    A9h, #A0h        ; IAPWE=1 for F2280B/84B
MOVX   @DPTR, A         ; Flash[1F00h] = 5Ah, after IAP write
                          ; 200μs~500μs H/W writing time, CPU wait
MOV    A9h, #00h        ; IAPWE=0 immediately after IAP write
CLR    A                ; A = 0
MOVX   A, @DPTR         ; A = 5Ah
CLR    A                ; A = 0
MOVC   A, @A+DPTR       ; A = 5Ah
    
```

Flash 1FFFh	Bit 7	Bit 6	Bit 5	Bit 4	Bit 3	Bit 2	Bit 1	Bit 0
CFGWH	PROT	XRSTE	MVCLOCK	WDTE	–	–	LVR1E	–

1FFFh.5 **MVCLOCK**: If 1, the MOVC & MOVX instruction’s accessibility to MOVC-Lock area is limited.

SFR 97h	Bit 7	Bit 6	Bit 5	Bit 4	Bit 3	Bit 2	Bit 1	Bit 0
SWCMD	IAPALL / SWRST							
R/W	W							R/W
Reset	–							0

97h.7~0 **IAPALL (W)**: Write 65h to set IAPALL control flag; Write other value to clear IAPALL flag. It is recommended to clear it immediately after IAP access.

97h.0 **IAPALL (R)**: Flag indicates Flash memory sectors can be accessed by IAP or not. This bit combines with MVCLOCK to define the accessible IAP area.

SFR A9h	Bit 7	Bit 6	Bit 5	Bit 4	Bit 3	Bit 2	Bit 1	Bit 0
INTE1	IAPWE			SPIE	TKIE	EX2	PIIE	TM3IE
R/W	R/W			R/W	R/W	R/W	R/W	R/W
Reset	0	0	0	0	0	0	0	0

A9h.7~5 **IAPWE**: IAP write enable control (only for F2280B/84B)

101: Enable IAP write. It is recommended to clear it immediately after IAP write.

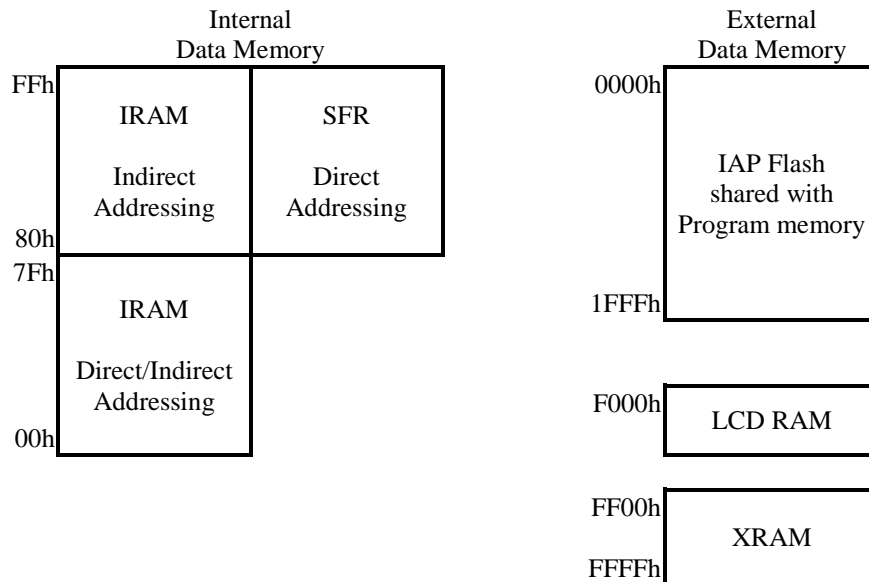
Others value: Disable IAP write.

2.1.5 Flash ISP Mode

The “In System Programming” (ISP) usage is similar to IAP, except the purpose is to refresh the Program code. User can use UART/SPI or other method to get new Program code from external host, then writes code as the same way as IAP. ISP operation is complicated; basically it needs to assign a Boot code area to the Flash which does not change during the ISP process.

2.2 Data Memory

As the standard 8051, the **F2280/80B/84/84B** has both Internal and External Data Memory space. The Internal Data Memory space consists of 256 Bytes IRAM and 67 SFRs, which are accessible through a rich instruction set. The External Data Memory space consists of 256 Bytes XRAM, LCDRAM and IAP Flash, which can be only accessed by MOVX instruction.



2.2.1 IRAM

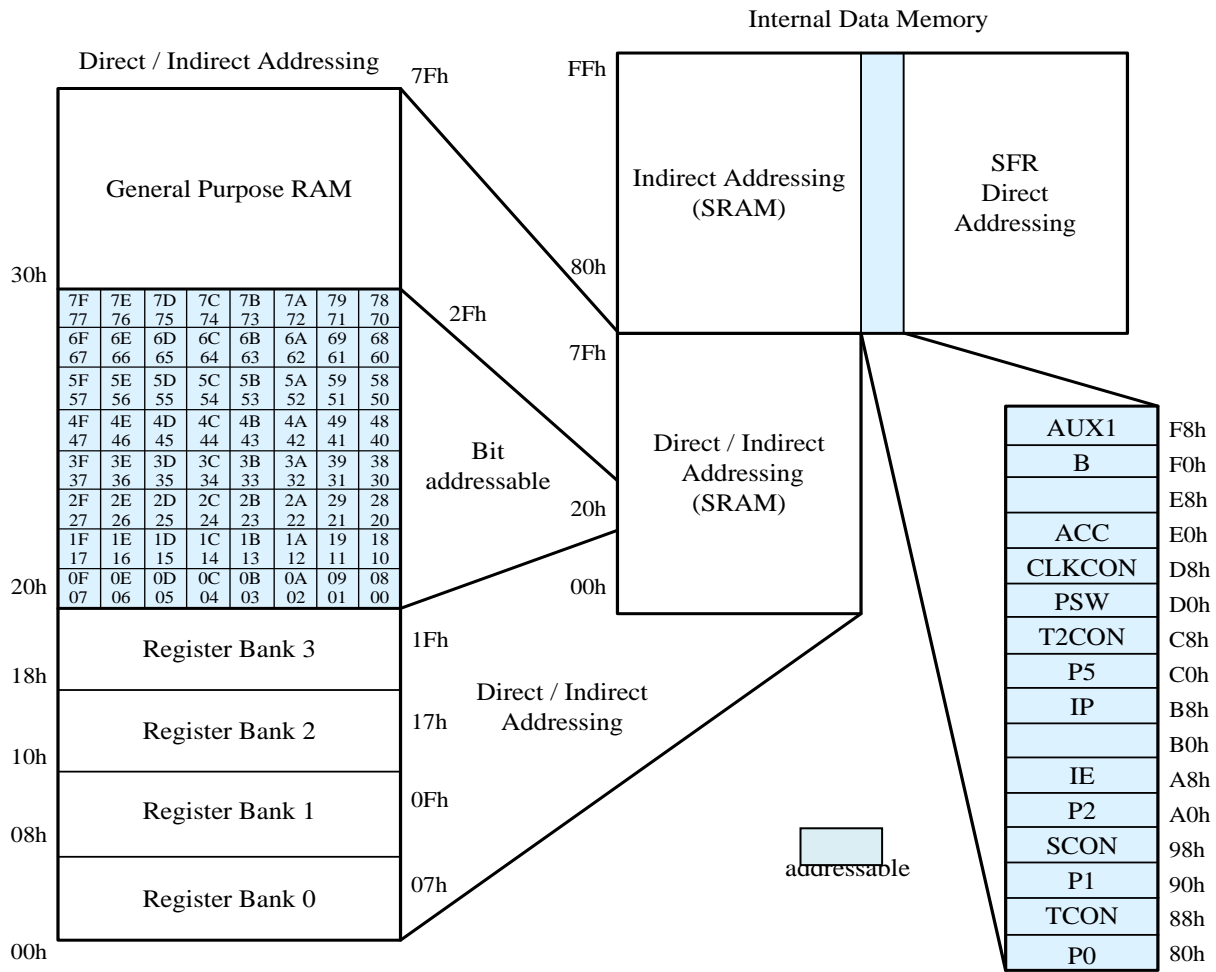
IRAM is located in the 8051 internal data memory space. The whole 256 Bytes IRAM are accessible using indirect addressing but only the lower 128 Bytes are accessible using direct addressing. There are four directly addressable register banks (switching by PSW), which occupy IRAM space from 00h to 1Fh. The address 20h to 2Fh 16 Bytes IRAM space is bit-addressable. IRAM can be used as scratch pad registers or program stack.

2.2.2 XRAM

XRAM is located in the 8051 external data memory space (address from FF00h to FFFFh). The 256 Bytes XRAM can be only accessed by “MOVX” instruction.

2.2.3 SFRs

All peripheral functional modules such as I/O ports, Timers and UART operations for the chip are accessed via Special Function Registers (SFRs). These registers occupy upper 128 Bytes of direct Data Memory space locations in the range 80h to FFh. There are 14 bit-addressable SFRs (which means that eight individual bits inside a single byte are addressable), such as ACC, B register, PSW, TCON, SCON, and others. The remaining SFRs are only byte addressable. SFRs provide control and data exchange with the resources and peripherals of the **F2280/80B/84/84B**. The TM52 series of microcontrollers provides complete binary code with standard 8051 instruction set compatibility. Beside the standard 8051 SFRs, the **F2280/80B/84/84B** implements additional SFRs used to configure and access subsystems such as the SPI/LCD, which are unique to the **F2280/80B/84/84B**.

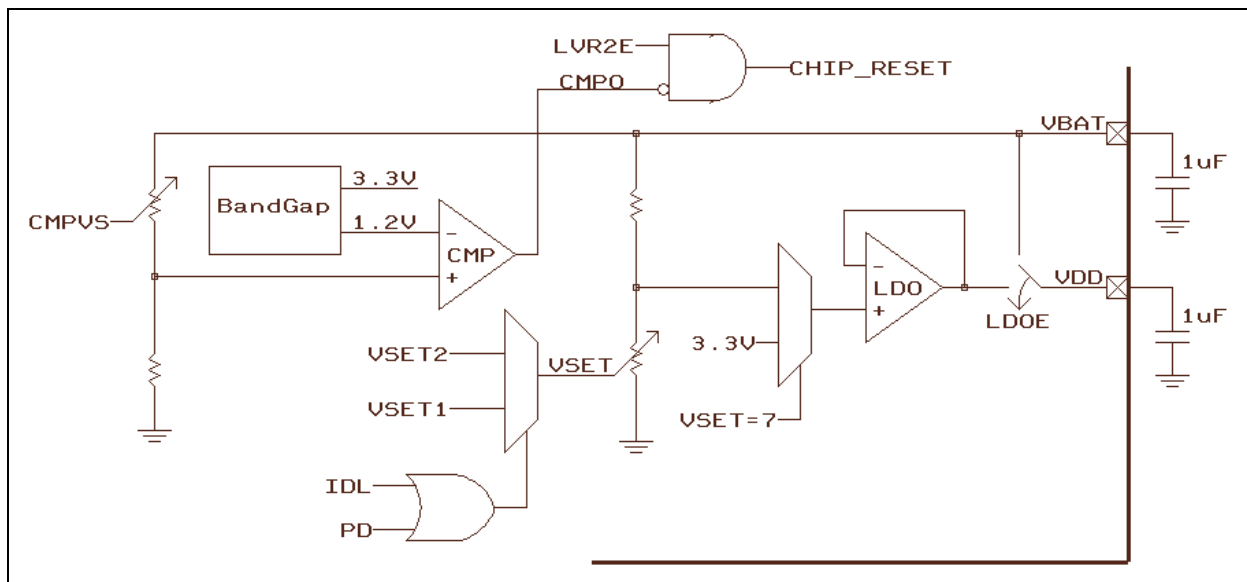


	8/0	9/1	A/2	B/3	C/4	D/5	E/6	F/7
F8h	AUX1							
F0h	B							FRCF
E8h								
E0h	ACC							
D8h	CLKCON							
D0h	PSW							
C8h	T2CON		RCP2L	RCP2H	TL2	TH2		
C0h			BGADCS	BGADCD	ATKCMP0	ATKCMP1	ATKCMP2	ATKCMP3
B8h	IP	IPH	IP1	IP1H	SPCON	SPSTA	SPDAT	
B0h	P3	LCON	LCON2	TM3SEC	TM3DL	TM3DH	TM3RLD	TM3ADJ
A8h	IE	INTE1		ATKDT	TKDL	TKCON	TKCON2	RFCON
A0h	P2		P1MODL	P1MODH	P3MODL	P3MODH	TOCON	VCON
98h	SCON	SBUF						
90h	P1	P0OE	PINMODE	P2OE	OPTION	INTFLG	P1WKUP	SWCMD
88h	TCON	TMOD	TL0	TL1	TH0	TH1		
80h	P0	SP	DPL	DPH				PCON

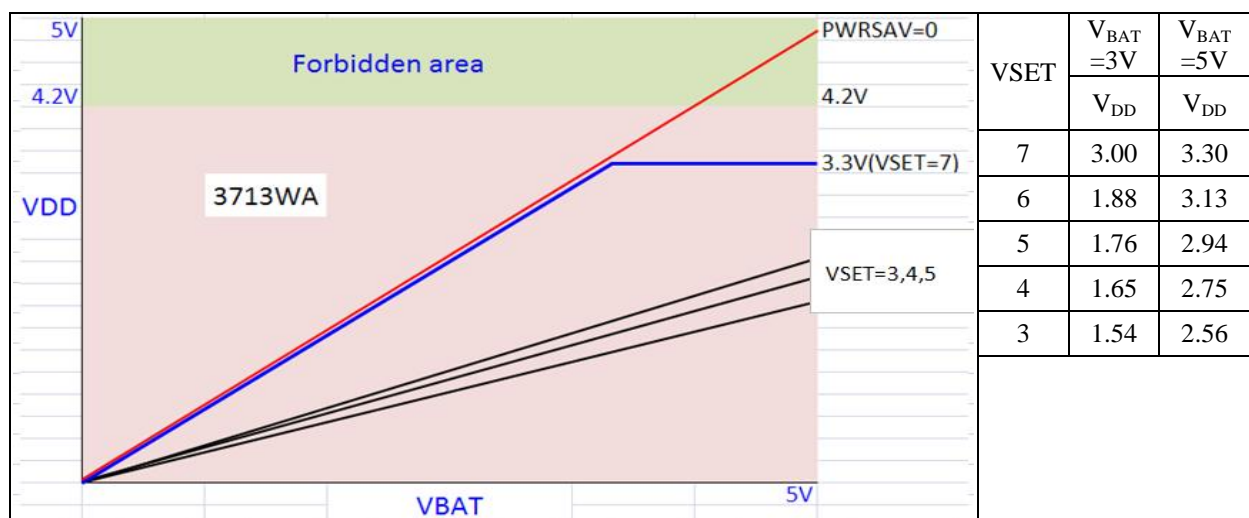
3. Power Management

V_{BAT} pin is the power supply for this chip. It provides voltage source to the built-in tiny current LDO Regulator for chip internal operation. The V_{DD} is the LDO output pin, which needs an external 1uF capacitor connection to VSS for voltage level stability. If LDOE=0, the LDO is disable and the V_{DD} is shorted to V_{BAT}. If LDOE=1, the LDO is enable and the V_{DD} voltage level is defined by VSET1/2 SFR. When VSET1/2=3~6, $V_{DD}=V_{BAT} * 15/30 \sim V_{BAT} * 19/30$ and the LDO module only consume 0.3uA. When VSET1/2=7, $V_{DD}=V_{BG} * 2.75 = 1.2V * 2.75 = 3.3V$ and the Bandgap module consumes 15uA. The lower V_{DD} voltage level causes lower chip current consumption, but user must also consider the System clock rate. Higher clock rate requires higher V_{DD} voltage level. User must keep $1.5V < V_{DD} < 4.0V$ for the device's proper operation. In IAP write mode, user also needs to set $V_{DD} > 2.8V$

The 1.2V BandGap Voltage Reference module also support for Low Battery Detection (LBD) and LVR2. The Battery voltage is divided by resistor to certain level then compare to the BandGap voltage. User can refer to the V_{BAT} voltage level for setting the V_{DD} level by VSET1 or VSET2 SFR. The BandGap and Comparator consume un-neglect current, so user should not use them too often. Since V_{BAT} voltage level changes very slowly, user can detect it once an hour or once a day to reduce current consumption.



LDO Regulator & Comparator



V_{BAT} to V_{DD} selection table

CMPO	CMPVS															
	0	1	2	3	4	5	6	7	8	9	10	11	12	13	14	15
4.5V < V _{BAT}	0	1	1	1	1	1	1	1	1	1	1	1	1	1	1	1
4.3V < V _{BAT} < 4.5V	0	1	1	1	1	1	1	1	1	1	1	1	1	1	1	0
4.1V < V _{BAT} < 4.3V	0	1	1	1	1	1	1	1	1	1	1	1	1	1	0	0
3.9V < V _{BAT} < 4.1V	0	1	1	1	1	1	1	1	1	1	1	1	1	0	0	0
3.7V < V _{BAT} < 3.9V	0	1	1	1	1	1	1	1	1	1	1	1	0	0	0	0
3.5V < V _{BAT} < 3.7V	0	1	1	1	1	1	1	1	1	1	1	0	0	0	0	0
3.3V < V _{BAT} < 3.5V	0	1	1	1	1	1	1	1	1	1	0	0	0	0	0	0
3.1V < V _{BAT} < 3.3V	0	1	1	1	1	1	1	1	1	0	0	0	0	0	0	0
3.0V < V _{BAT} < 3.1V	0	1	1	1	1	1	1	1	0	0	0	0	0	0	0	0
2.9V < V _{BAT} < 3.0V	0	1	1	1	1	1	1	0	0	0	0	0	0	0	0	0
2.8V < V _{BAT} < 2.9V	0	1	1	1	1	1	0	0	0	0	0	0	0	0	0	0
2.7V < V _{BAT} < 2.8V	0	1	1	1	1	0	0	0	0	0	0	0	0	0	0	0
2.6V < V _{BAT} < 2.7V	0	1	1	1	0	0	0	0	0	0	0	0	0	0	0	0
2.5V < V _{BAT} < 2.6V	0	1	1	0	0	0	0	0	0	0	0	0	0	0	0	0
2.4V < V _{BAT} < 2.5V	0	1	0	0	0	0	0	0	0	0	0	0	0	0	0	0
V _{BAT} < 2.4V	0	0	0	0	0	0	0	0	0	0	0	0	0	0	0	0

Comparator Result vs V_{BAT} voltage level

SFR A7h	Bit 7	Bit 6	Bit 5	Bit 4	Bit 3	Bit 2	Bit 1	Bit 0
VCON	–	LDOE	VSET2			VSET1		
R/W	–	R/W	R/W			R/W		
Reset	–	1	1	1	1	1	1	1

- A7h.6 **LDOE:** Chip internal LDO Regulator enable control
 0: LDO disable, V_{DD} = V_{BAT}
 1: LDO enable, V_{DD} = LDO Regulator output
- A7h.5~3 **VSET2:** V_{DD} voltage setting in Fast/Slow mode while LDOE=1.
 000 ~ 010: Invalid
 011: V_{DD} = V_{BAT}*154/300 in Fast/Slow mode
 100: V_{DD} = V_{BAT}*165/300 in Fast/Slow mode
 101: V_{DD} = V_{BAT}*176/300 in Fast/Slow mode
 110: V_{DD} = V_{BAT}*188/300 in Fast/Slow mode
 111: V_{DD} = V_{BG}*2.75 = 1.2V*2.75 = 3.3V in Fast/Slow mode
- A7h.2~0 **VSET1:** V_{DD} voltage setting in Idle/Stop mode while LDOE=1.
 000 ~ 010: Invalid
 011: V_{DD} = V_{BAT}*154/300 in Idle/Stop mode
 100: V_{DD} = V_{BAT}*165/300 in Idle/Stop mode
 101: V_{DD} = V_{BAT}*176/300 in Idle/Stop mode
 110: V_{DD} = V_{BAT}*188/300 in Idle/Stop mode
 111: V_{DD} = V_{BG}*2.75 = 1.2V*2.75 = 3.3V in Idle/Stop mode

Note: User must set V_{DD} > 1.5V @25°C; set V_{DD} > 1.6V @-20°C

Note: the VCON is stuck at 0x7F (reset default state) in ICE mode.

Note: If System Clock is FRC/FXT, the VCON setting should follow the rule below:

3V Mode: LDOE=0. (V_{DD}=V_{BAT}), VSET=3~6.

5V Mode: LDOE=1, VSET=7. (V_{DD}=V_{BAT} when V_{BAT}<3.3V, V_{DD}=3.3V when V_{BAT}>3.3V)

SFR C2h	Bit 7	Bit 6	Bit 5	Bit 4	Bit 3	Bit 2	Bit 1	Bit 0
BGADCS	LVR2E	ADCHS			CMPVS			
R/W	R/W	R/W			R/W			
Reset	0	0	0	0	0	0	0	0

C2h.3~0 **CMPVS**: Select V_{BAT} resistor divider for Comparator input to compare with the 1.2V Bandgap reference voltage. If LVR2E=1, the Low Voltage Reset #2 is triggered when V_{BAT} resistor divider is lower than 1.2V (CMPO=0).

0000: Comparator Disable

0001: the Comparator input is $V_{BAT} * 12/24$, LVR2=2.4V

0010: the Comparator input is $V_{BAT} * 12/25$, LVR2=2.5V

0011: the Comparator input is $V_{BAT} * 12/26$, LVR2=2.6V

0100: the Comparator input is $V_{BAT} * 12/27$, LVR2=2.7V

0101: the Comparator input is $V_{BAT} * 12/28$, LVR2=2.8V

0110: the Comparator input is $V_{BAT} * 12/29$, LVR2=2.9V

0111: the Comparator input is $V_{BAT} * 12/30$, LVR2=3.0V

1000: the Comparator input is $V_{BAT} * 12/31$, LVR2=3.1V

1001: the Comparator input is $V_{BAT} * 12/33$, LVR2=3.3V

1010: the Comparator input is $V_{BAT} * 12/35$, LVR2=3.5V

1011: the Comparator input is $V_{BAT} * 12/37$, LVR2=3.7V

1100: the Comparator input is $V_{BAT} * 12/39$, LVR2=3.9V

1101: the Comparator input is $V_{BAT} * 12/41$, LVR2=4.1V

1110: the Comparator input is $V_{BAT} * 12/43$, LVR2=4.3V

1111: the Comparator input is $V_{BAT} * 12/45$, LVR2=4.5V

SFR C3h	Bit 7	Bit 6	Bit 5	Bit 4	Bit 3	Bit 2	Bit 1	Bit 0
BGADCD	CMPO	-	ADCDT					
R/W	R	-	R					
Reset	-	-	-	-	-	-	-	-

C3h.7 **CMPO**: Compare result of BandGap voltage and V_{BAT} voltage divider. CMPO=1 means the V_{BAT} divider voltage is higher. If LVR2E=1, the CMPO=0 can trigger LVR2.

SFR 94h	Bit 7	Bit 6	Bit 5	Bit 4	Bit 3	Bit 2	Bit 1	Bit 0
OPTION	SXTGAIN		STPPCK	PWRFLT	UART1W	WDTPSC	TM3PSC	
R/W	R/W		R/W	R/W	R/W	R/W	R/W	
Reset	1	1	0	0	0	0	0	1

94h.4 **PWRFLT**: Set 1 to enhance the chip's power noise immunity

4. Reset

The **F2280/80B/84/84B** has six types of reset methods. The CFGW controls the Reset functionality. The SFRs are returned to their default value after Reset.

4.1 Power on Reset

After Power on Reset, the device stays on Reset state for 20 ms as chip warm up time, then downloads the CFGW register from Flash's last two bytes (Other Reset will not reload the CFGW). The Power on Reset needs both V_{BAT} and V_{DD} voltage first discharge to near V_{SS} level, then rise beyond 1.8V.

4.2 External Pin Reset

External Pin Reset is active low. The RSTn pin needs to keep at least 2 SRC clock cycle long to be sampled by the chip. Pin Reset can be disabled or enabled by CFGW.

4.3 Software Reset

Software Reset is activated by writing the SFR 97h with data 56h.

4.4 Watch Dog Timer Reset

WDT overflow Reset is disabled or enable by CFGW. The WDT uses SYSCLK as its counting time base. It runs in Fast / Slow mode and stops in Idle / Stop mode. WDT overflow speed can be defined by WDTPSC SFR. WDT is cleared by device Reset or CLRWDT SFR bit.

4.5 Low Voltage Reset #1 (LVR1)

LVR1 is disabled or enable by LVR1E in the CFGW. If enable, LVR1 resets the chip when $V_{BAT} < 1.5V$. LVR1 consumes very small current, typically 0.1uA @ $V_{BAT}=3V$. It is designed to prevent the chip's abnormal function during power on-off.

4.6 Low Voltage Reset #2 (LVR2)

LVR2 is disabled or enable by LVR2E SFR bit. LVR2 is generated by the Bandgap Comparator module. When the V_{BAT} resistor divider voltage is lower than the 1.2V Bandgap reference voltage (CMPO=0), the LVR2 occurs. F/W must setup the CMPVS SFR before set LVR2E=1 to prevent the LVR2 triggered during Bandgap unstable. LVR2's trigger level can be selected as $V_{BAT}=2.4V\sim 4.5V$ by the CMPVS SFR. Enable the LVR2 function consumes 15uA @ $V_{BAT}=3V$.

Note: LVR1 must be enable, also refer to AP-TM52XXXXX_02S for LVR1/LVR2 setting information

System Clock frequency	8MHz	6MHz	2MHz	1MHz
Minimum LVR1/2 level	LVR2=2.9V LVR1=1.5V	LVR2=2.6V LVR1=1.5V	LVR2=2.4V LVR1=1.5V	LVR1=1.5V

LVR1/2 setting table

Flash 1FFFh	Bit 7	Bit 6	Bit 5	Bit 4	Bit 3	Bit 2	Bit 1	Bit 0
CFGWH	PROT	XRSTE	MVCLOCK	WDTE	-	-	LVR1E	-

1FFFh.6 **XRSTE:** Pin Reset enable, 1=enable.

1FFFh.4 **WDTE:** WDT Reset enable, 1=enable.

1FFFh.1 **LVR1E:** Low Voltage Reset #1 enable, 1=enable.

SFR 97h	Bit 7	Bit 6	Bit 5	Bit 4	Bit 3	Bit 2	Bit 1	Bit 0
SWCMD	IAPALL / SWRST							
R/W	W							R/W
Reset	-							0

97h.7~0 **SWRST (W)**: Write 56h to generate S/W Reset.

SFR F8h	Bit 7	Bit 6	Bit 5	Bit 4	Bit 3	Bit 2	Bit 1	Bit 0
AUX1	-	-	-	TKSOC	CLRWDT	CLRTM3	STPRFC	DPSEL
R/W	-	-	-	R/W	R/W	R/W	R/W	R/W
Reset	-	-	-	0	0	0	0	0

F8h.3 **CLRWDT**: Set to 1 to clear Watch Dog Timer.

SFR 94h	Bit 7	Bit 6	Bit 5	Bit 4	Bit 3	Bit 2	Bit 1	Bit 0
OPTION	SXTGAIN		STPPCK	PWRFLT	UART1W	WDTPSC	TM3PSC	
R/W	R/W		R/W	R/W	R/W	R/W	R/W	
Reset	1	1	0	0	0	0	0	1

94h.2 **WDTPSC**: WDT prescaler.

0: WDT overflow at 65536 System clock count

1: WDT overflow at 32768 System clock count

SFR C2h	Bit 7	Bit 6	Bit 5	Bit 4	Bit 3	Bit 2	Bit 1	Bit 0
BGADCS	LVR2E	ADCHS			CMPVS			
R/W	R/W	R/W			R/W			
Reset	0	0	0	0	0	0	0	0

C2h.7 **LVR2E**: Low Voltage Reset #2 enable, 1=enable. This bit must be set to 1 after CMPVS setting done and the Bandgap voltage stable.

C2h.3~0 **CMPVS**: Select V_{BAT} resistor divider for Comparator input to compare with the 1.2V Bandgap reference voltage. If LVR2E=1, the Low Voltage Reset #2 is triggered when V_{BAT} resistor divider is lower than 1.2V (CMPO=0).

0000: Comparator Disable

0001: the Comparator input is $V_{BAT} \cdot 12/24$, LVR2=2.4V

0010: the Comparator input is $V_{BAT} \cdot 12/25$, LVR2=2.5V

0011: the Comparator input is $V_{BAT} \cdot 12/26$, LVR2=2.6V

0100: the Comparator input is $V_{BAT} \cdot 12/27$, LVR2=2.7V

0101: the Comparator input is $V_{BAT} \cdot 12/28$, LVR2=2.8V

0110: the Comparator input is $V_{BAT} \cdot 12/29$, LVR2=2.9V

0111: the Comparator input is $V_{BAT} \cdot 12/30$, LVR2=3.0V

1000: the Comparator input is $V_{BAT} \cdot 12/31$, LVR2=3.1V

1001: the Comparator input is $V_{BAT} \cdot 12/33$, LVR2=3.3V

1010: the Comparator input is $V_{BAT} \cdot 12/35$, LVR2=3.5V

1011: the Comparator input is $V_{BAT} \cdot 12/37$, LVR2=3.7V

1100: the Comparator input is $V_{BAT} \cdot 12/39$, LVR2=3.9V

1101: the Comparator input is $V_{BAT} \cdot 12/41$, LVR2=4.1V

1110: the Comparator input is $V_{BAT} \cdot 12/43$, LVR2=4.3V

1111: the Comparator input is $V_{BAT} \cdot 12/45$, LVR2=4.5V

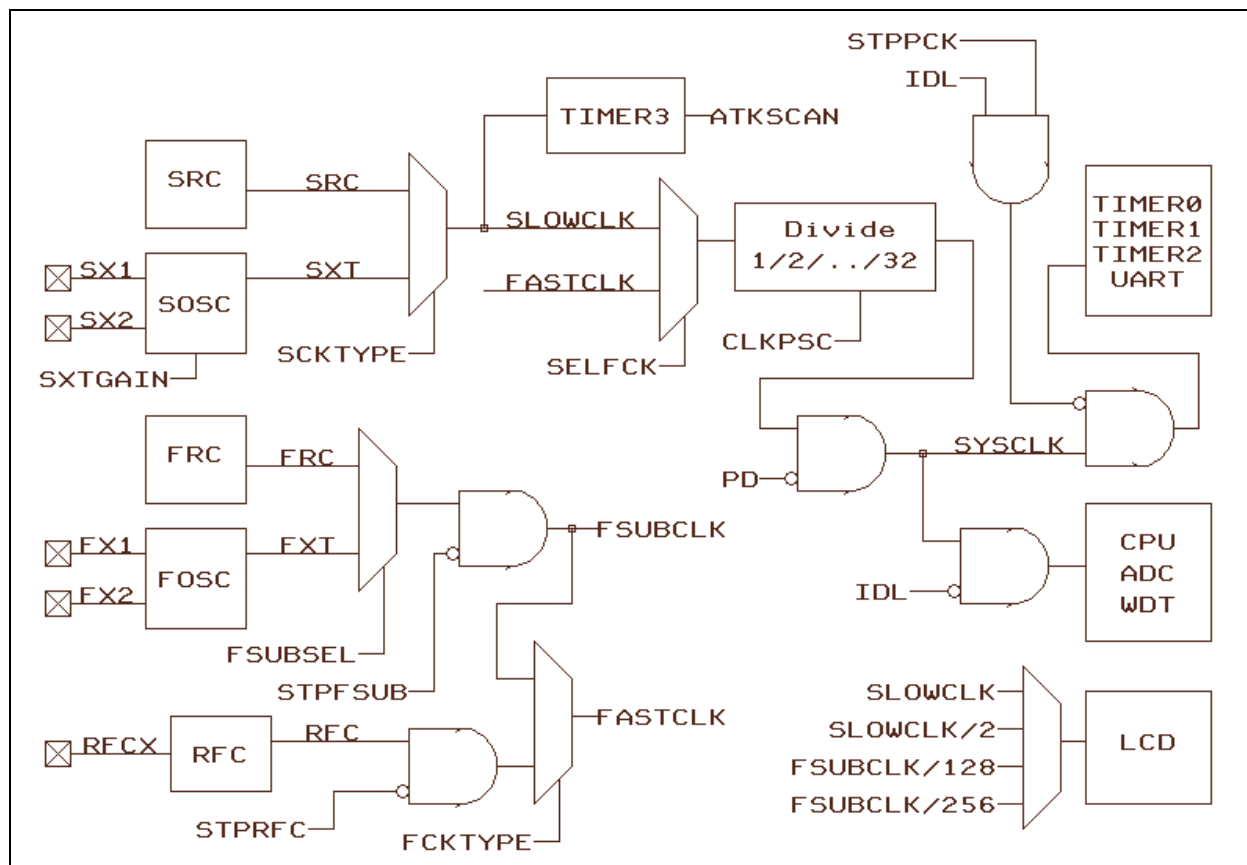
5. Clock Circuitry & Operation Mode

5.1 System Clock

The **F2280/80B/84/84B** is designed with dual-clock system. During runtime, user can directly switch the System clock from fast to slow or from slow to fast. It also can directly select a clock divider of 1, 2, 4, 8, 16 or 32. The Fast clock consists of **FRC** (Fast Internal RC, 7.3728 MHz), **FXT** (1~8 MHz) and **RFC**. The Slow clock can be selected as **SXT** (Slow Crystal, 32 KHz) or **SRC** (80 KHz @VDD=3V, 40 KHz @VDD=1.5V). Fast mode and Slow mode are defined as the CPU running at Fast and Slow clock speeds.

After Reset, the chip is running at Slow mode with SRC clock. Since Fast clock is useless in Slow mode, S/W can set STPFSSUB=1 to stop FXT or FRC to reduce device's current consumption. Before the device switches to other clock rate, S/W must also consider the V_{DD} voltage level for device operation safety. The higher V_{DD} allows the device to run at higher System clock frequency. In typical condition, 8 MHz System clock rate requires V_{DD}>2.5V.

Before entering the Fast mode, S/W must select the Fast clock type in advance. If RFC is used as the Fast clock source, S/W also has to setup the pin mode and RFC related SFRs in advance. The FRC is the default Fast clock type. Its frequency is controlled by FRCF SFR, which is automatically loaded with CFGW data at power on reset. The FRC is trimmed to 7.3728 MHz in chip manufacturing.



Clock Structure

The CLKCON SFR controls the System clock operating. H/W automatically blocks the S/W abnormally setting for this register. S/W can only change the Slow clock type in Fast mode, and change the Fast clock type in Slow mode. Never to write both STPFSSUB=1 & SELFCK=1 in FXT/FRC mode. It is recommended to write this register bit by bit.

This chip can also output the System clock to TCO pin (in CMOS format). TCO's frequency/duty is defined by TCOCON SFR. TCO pin's output enable is defined by P3MOD7 SFR (*see section 7*).

Flash 1FFEh	Bit 7	Bit 6	Bit 5	Bit 4	Bit 3	Bit 2	Bit 1	Bit 0
CFGWL	–	–	–	FRCF				

FFEh.4~0 **FRCF**: FRC frequency adjustment.

FRC is trimmed to 7.3728 MHz in chip manufacturing. FRCF records the adjustment data.

SFR F7h	Bit 7	Bit 6	Bit 5	Bit 4	Bit 3	Bit 2	Bit 1	Bit 0
CFGWL	–	–	–	FRCF				
R/W	–	–	–	R/W				
Reset	–	–	–	–	–	–	–	–

F7h.4~0 **FRCF**: FRC frequency adjustment. It is automatically loaded with Flash's 1FFEh data at power on reset and can be read/written as any other SFR register in normal mode. So the FRC clock speed can be changed on CPU run time by S/W.

00h=central frequency, 0Fh=highest frequency, 10h=lowest frequency.

SFR D8h	Bit 7	Bit 6	Bit 5	Bit 4	Bit 3	Bit 2	Bit 1	Bit 0
CLKCON	FCKTYPE	FSUBSEL	SELFCK	SCKTYPE	STPFSSUB	CLKPSC		
R/W	R/W	R/W	R/W	R/W	R/W	R/W		
Reset	0	0	0	0	0	1	0	1

D8h.7 **FCKTYPE**: Fast clock type select, This bit can be changed only in Slow mode (SELFCK=0)

0: Fast clock is FSUBCLK (FRC or FXT)

1: Fast clock is RFC, S/W must setup RFC oscillating circuitry before set this bit to 1.

D8h.6 **FSUBSEL**: FSUBCLK select, This bit can be changed only in Slow mode (SELFCK=0).

0: FSUBCLK is FRC

1: FSUBCLK is FXT, P2.1 and P2.2 are crystal oscillator pins

D8h.5 **SELFCK**: System clock select. This bit can be changed only when STPFSSUB=0 or FCKTYPE=1.

0: Slow clock (SRC/SXT)

1: Fast clock (FRC/FXT/RFC)

D8h.4 **SCKTYPE**: Slow clock Type. This bit can be changed only in Fast mode (SELFCK=1).

0: SRC

1: SXT, P0.7 and P2.0 are crystal oscillator pins

D8h.3 **STPFSSUB**: Set 1 to stop FXT/FRC for power saving in Slow/Idle mode. This bit can be changed only in Slow mode or RFC mode.

D8h.2~0 **CLKPSC**: System clock prescaler. max effective delay is 32 cycle, Refer [AP-TM52XXXXX_01S](#).

000: System clock is Fast/Slow clock divided by 32

001: System clock is Fast/Slow clock divided by 16

010: System clock is Fast/Slow clock divided by 8

011: System clock is Fast/Slow clock divided by 4

100: System clock is Fast/Slow clock divided by 2

101: System clock is Fast/Slow clock divided by 1

SFR 94h	Bit 7	Bit 6	Bit 5	Bit 4	Bit 3	Bit 2	Bit 1	Bit 0
OPTION	SXTGAIN		STPPCK	PWRFLT	UART1W	WDTPSC	TM3PSC	
R/W	R/W		R/W	R/W	R/W	R/W	R/W	
Reset	1	1	0	0	0	0	0	1

94h.7~6 **SXTGAIN**: 32768 SXT oscillator gain, 3=Highest gain, 0=Lowest gain. Higher gain can shorten the Crystal oscillation warm-up time. Lower gain can reduce oscillation current.

94h.5 **STPPCK**: Set 1 to stop UART/Timer0/Timer1/Timer2 clock in Idle mode for current reducing.

Note: In crystal mode, user should set the P2.1/P2.2 (FXT) or P0.7/P2.0 (SXT) pins as Input with Pull-up (section7).

SYSCLK	CLKCON (D8h)				
	bit7 FCKTYPE	bit6 FSUBSEL	bit5 SELFCK	bit4 SCKTYPE	bit3 STPFSUB
Fast RFC (*1)	1	0/1	1	0/1	0/1
Fast FXT	0	1	1	0/1	0
Fast FRC	0	0	1	0/1	0
Slow SXT	0/1	0/1	0	1	0/1
Slow SRC	0/1	0/1	0	0	0/1
Fast type change	AB \leftrightarrow CD		0	0/1	0/1
Slow type change	0/1	0/1	1	0 \leftrightarrow 1	0/1(*2)
Stop FRC/FXT	0	0/1	0	0/1	0 \rightarrow 1
Stop FRC/FXT	1	0/1	0/1	0/1	0 \rightarrow 1
Switch to FRC/FXT	0	0/1	0 \rightarrow 1	0/1	0
Switch to RFC (*1)	1	0/1	0 \rightarrow 1	0/1	0/1
Switch to SRC/SXT	0	0/1	1 \rightarrow 0	0/1	0
Switch to SRC/SXT	1	0/1	1 \rightarrow 0	0/1	0/1

(*1) also need RFC related SFRs proper setting

(*2) STPFSUB=1 is only valid for RFC Mode, FRC/FXT Mode needs STPFSUB=0

SFR A6h	Bit 7	Bit 6	Bit 5	Bit 4	Bit 3	Bit 2	Bit 1	Bit 0
TOCON	T1OCON		T2OCON			TCOCON		
R/W	R/W		R/W			R/W		
Reset	0	0	0	0	0	0	0	0

A6h.2~0 **TCOCON**: TCO pin duty and frequency control

000: 1/2 duty, 1/2 SYSCLK frequency

001: 1/3 duty, 1/3 SYSCLK frequency

010: 1/4 duty, 1/4 SYSCLK frequency

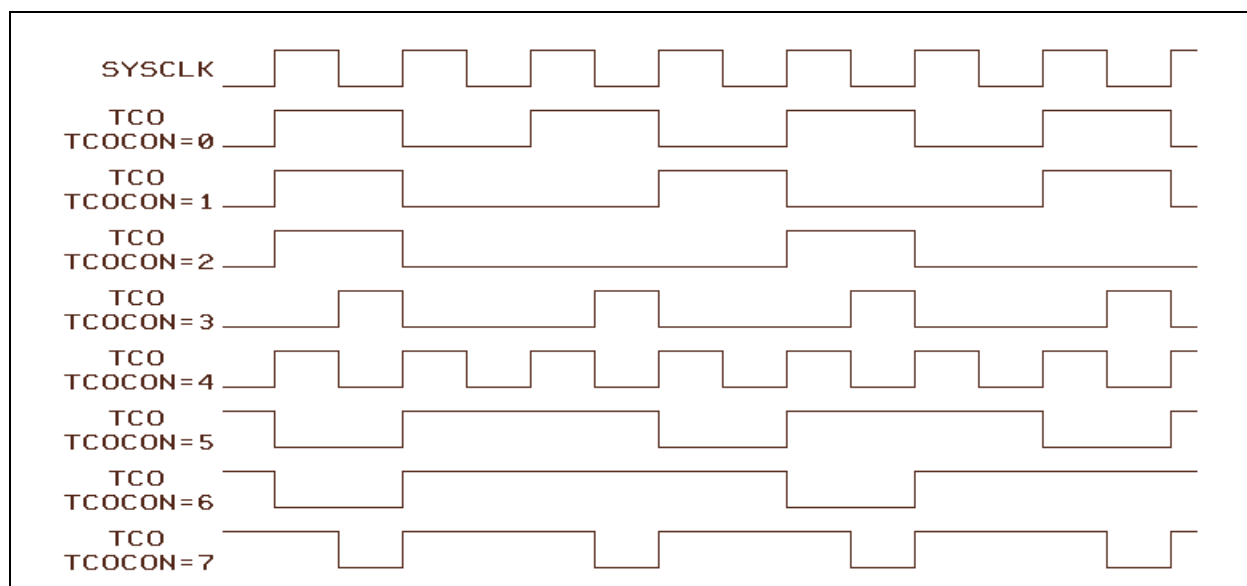
011: 1/4 duty, 1/2 SYSCLK frequency

100: 1/2 duty, 1/1 SYSCLK frequency

101: 2/3 duty, 1/3 SYSCLK frequency

110: 3/4 duty, 1/4 SYSCLK frequency

111: 3/4 duty, 1/2 SYSCLK frequency



TCO waveform with TCOCON

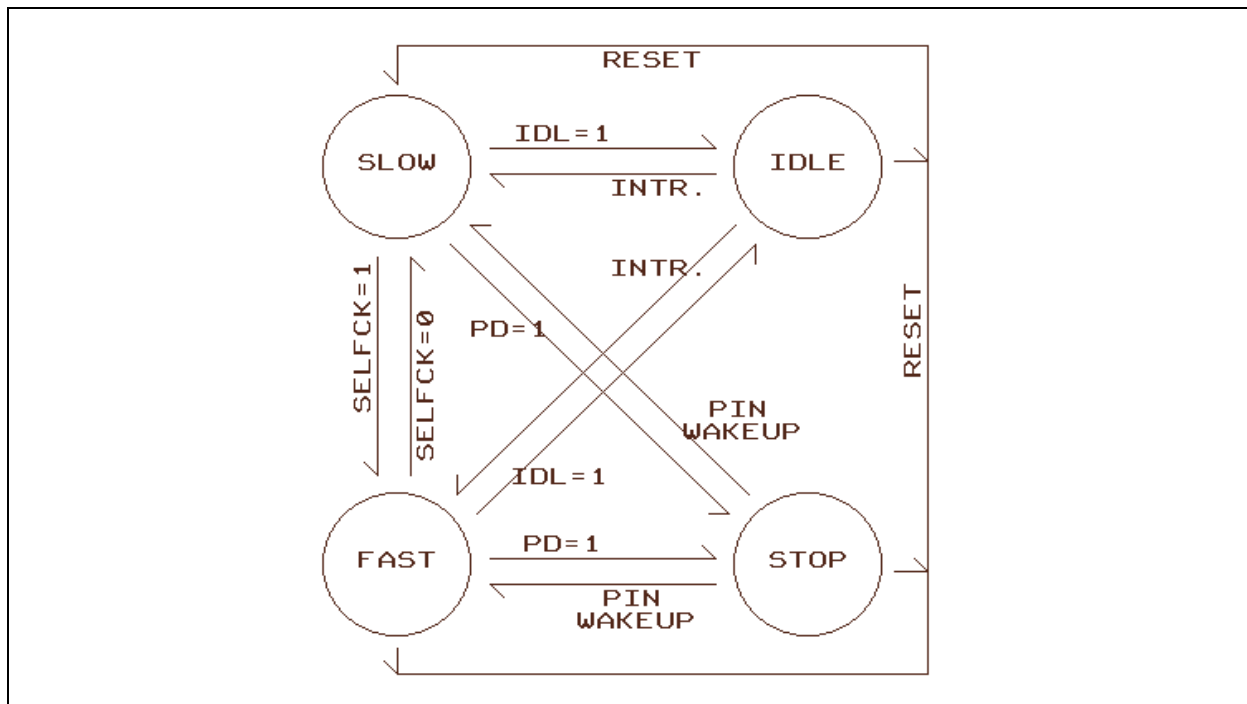
5.2 Operation Modes

There are four operation modes for this device. **Fast Mode** is defined as the CPU running at Fast clock speed. **Slow Mode** is defined as the CPU running at Slow clock speed. When the System clock speed is lower, the power consumption is lower.

Idle Mode is entered by setting the IDL bit in PCON SFR. Both Fast and Slow clock can be set as the System clock source in Idle Mode, but Slow clock is better for power saving. In Idle mode, the CPU puts itself to sleep while the on-chip peripherals stay active. The STPPCK bit can be set to furthermore reduce Idle mode current. If STPPCK=1, Timer0/1/2 and UART are stopped in Idle mode. The slower System clock rate also helps current saving. It can be achieved by setup the CLKPSC SFR to divide System clock frequency. Idle mode is terminated by Reset or enabled Interrupts wake up.

Stop Mode is entered by setting the PD bit in PCON SFR. This mode is the so-called “Power Down” mode in standard 8051. In Stop mode, all clocks stop. Stop Mode can be terminated by Reset or pin wake up.

Note: Chip cannot enter Stop Mode if INTn pin is low and wakeup is enable. (INTn=0 and EXn=1, n=0,1,2)



Operation Mode Transition

SFR 87h	Bit 7	Bit 6	Bit 5	Bit 4	Bit 3	Bit 2	Bit 1	Bit 0
PCON	SMOD	–	–	–	GF1	GF0	PD	IDL
R/W	R/W	–	–	–	R/W	R/W	R/W	R/W
Reset	0	–	–	–	0	0	0	0

87h.1 **PD:** Power down control bit, set 1 to enter STOP mode.

87h.0 **IDL:** Idle mode control bit, set 1 to enter IDLE mode.

6. Interrupt & Wake-up

The **F2280/80B/84/84B** has an 11-source four-level priority interrupt structure. All enabled Interrupts can wake up CPU from Idle mode, but only the Pin Interrupts can wake up CPU from Stop mode. Each interrupt source has its own enable control bit. An interrupt event will set its individual Interrupt Flag, no matter whether its interrupt enable control bit is 0 or 1. The Interrupt vectors and flags are list below.

Vector	Flag	Description
0003	IE0	INT0 external pin Interrupt (can wake up Stop mode)
000B	TF0	Timer0 Interrupt
0013	IE1	INT1 external pin Interrupt (can wake up Stop mode)
001B	TF1	Timer1 Interrupt
0023	RI+TI	Serial Port (UART) Interrupt
002B	TF2+EXF2	Timer2 Interrupt
0033		Reserved for ICE mode use
003B	TF3	Timer3 Interrupt
0043	P1IF	Port1 external pin change Interrupt (can wake up Stop mode)
004B	IE2	INT2 external pin Interrupt (can wake up Stop mode)
0053	TKIF	Touch Key Interrupt (F2280/80B only)
005B	SPIF+WCOL	SPI Interrupt

Interrupt Vector & Flag

6.1 Interrupt Enable and Priority Control

The IE and INTE1 SFRs decide whether the pending interrupt is serviced by CPU. The P1WKUP SFR controls the individual Port1 pin's wake-up and interrupt capability. The IP, IPH, IP1 and IP1H SFRs decide the interrupt priority. An interrupt will be serviced as long as an interrupt of equal or higher priority is not already being serviced. If an interrupt of equal or higher level priority is being serviced, the new interrupt will wait until it is finished before being serviced. If a lower priority level interrupt is being serviced, it will be stopped and the new interrupt serviced. When the new interrupt is finished, the lower priority level interrupt that was stopped will be completed.

SFR 96h	Bit 7	Bit 6	Bit 5	Bit 4	Bit 3	Bit 2	Bit 1	Bit 0
P1WKUP	P1WKUP							
R/W	R/W							
Reset	0	0	0	0	0	0	0	0

96h.7~0 **P1WKUP**: P1.7~P1.0 pin individual Wake-up / Interrupt enable control
 0: Disable
 1: Enable

SFR A8h	Bit 7	Bit 6	Bit 5	Bit 4	Bit 3	Bit 2	Bit 1	Bit 0
IE	EA	–	ET2	ES	ET1	EX1	ET0	EX0
R/W	R/W	–	R/W	R/W	R/W	R/W	R/W	R/W
Reset	0	–	0	0	0	0	0	0

- A8h.7 **EA:** Global interrupt enable control.
 0: Disable all Interrupts.
 1: Each interrupt is enabled or disabled by its individual interrupt control bit
- A8h.5 **ET2:** Timer2 interrupt enable
 0: Disable Timer2 interrupt
 1: Enable Timer2 interrupt
- A8h.4 **ES:** Serial Port (UART) interrupt enable
 0: Disable Serial Port (UART) interrupt
 1: Enable Serial Port (UART) interrupt
- A8h.3 **ET1:** Timer1 interrupt enable
 0: Disable Timer1 interrupt
 1: Enable Timer1 interrupt
- A8h.2 **EX1:** External INT1 pin Interrupt enable and Stop mode wake up enable
 0: Disable INT1 pin Interrupt and Stop mode wake up
 1: Enable INT1 pin Interrupt and Stop mode wake up, it can wake up CPU from Stop mode no matter EA is 0 or 1.
- A8h.1 **ET0:** Timer0 interrupt enable
 0: Disable Timer0 interrupt
 1: Enable Timer0 interrupt
- A8h.0 **EX0:** External INT0 pin Interrupt enable and Stop mode wake up enable
 0: Disable INT0 pin Interrupt and Stop mode wake up
 1: Enable INT0 pin Interrupt and Stop mode wake up, it can wake up CPU from Stop mode no matter EA is 0 or 1.

SFR A9h	Bit 7	Bit 6	Bit 5	Bit 4	Bit 3	Bit 2	Bit 1	Bit 0
INTE1	IAPWE			SPIE	TKIE	EX2	P1IE	TM3IE
R/W	R/W			R/W	R/W	R/W	R/W	R/W
Reset	0	0	0	0	0	0	0	0

- A9h.4 **SPIE:** SPI interrupt enable
 0: Disable SPI interrupt
 1: Enable SPI interrupt
- A9h.3 **TKIE:** Touch Key (F2280/80B only) interrupt enable
 0: Disable Touch Key interrupt
 1: Enable Touch Key interrupt
- A9h.2 **EX2:** External INT2 pin Interrupt enable and Stop mode wake up enable
 0: Disable INT2 pin Interrupt and Stop mode wake up
 1: Enable INT2 pin Interrupt and Stop mode wake up, it can wake up CPU from Stop mode no matter EA is 0 or 1.
- A9h.1 **P1IE:** Port1 pin change interrupt enable. This bit does not affect the Port1 pin's Stop mode wake up capability.
 0: Disable Port1 pin change interrupt
 1: Enable Port1 pin change interrupt
- A9h.0 **TM3IE:** Timer3 interrupt enable
 0: Disable Timer3 interrupt
 1: Enable Timer3 interrupt

SFR B9h	Bit 7	Bit 6	Bit 5	Bit 4	Bit 3	Bit 2	Bit 1	Bit 0
IPH	–	–	PT2H	PSH	PT1H	PX1H	PT0H	PX0H
R/W	–	–	R/W	R/W	R/W	R/W	R/W	R/W
Reset	–	–	0	0	0	0	0	0

SFR B8h	Bit 7	Bit 6	Bit 5	Bit 4	Bit 3	Bit 2	Bit 1	Bit 0
IP	–	–	PT2	PS	PT1	PX1	PT0	PX0
R/W	–	–	R/W	R/W	R/W	R/W	R/W	R/W
Reset	–	–	0	0	0	0	0	0

B9h.5, B8h.5 **PT2H, PT2** : Timer2 Interrupt Priority control. (PT2H, PT2)=
 11: Level 3 (highest priority)
 10: Level 2
 01: Level 1
 00: Level 0 (lowest priority)

B9h.4, B8h.4 **PSH, PS** : Serial Port (UART) Interrupt Priority control. Definition as above.

B9h.3, B8h.3 **PT1H, PT1** : Timer1 Interrupt Priority control. Definition as above.

B9h.2, B8h.2 **PX1H, PX1** : External INT1 pin Interrupt Priority control. Definition as above.

B9h.1, B8h.1 **PT0H, PT0** : Timer0 Interrupt Priority control. Definition as above.

B9h.0, B8h.0 **PX0H, PX0** : External INT0 pin Interrupt Priority control. Definition as above.

SFR BBh	Bit 7	Bit 6	Bit 5	Bit 4	Bit 3	Bit 2	Bit 1	Bit 0
IP1H	–	–	–	PSPIH	PTKI H	PX2H	PP1H	PT3H
R/W	–	–	–	R/W	R/W	R/W	R/W	R/W
Reset	–	–	–	0	0	0	0	0

SFR BAh	Bit 7	Bit 6	Bit 5	Bit 4	Bit 3	Bit 2	Bit 1	Bit 0
IP1	–	–	–	PSPI	PTKI	PX2	PP1	PT3
R/W	–	–	–	R/W	R/W	R/W	R/W	R/W
Reset	–	–	–	0	0	0	0	0

BBh.4, BAh.4 **PSPIH, PSPI** : SPI Interrupt Priority control. Definition as above.

BBh.3, BAh.3 **PTKI H, PTKI** : Touch Key Interrupt Priority control. Definition as above. (F2280/80B only)

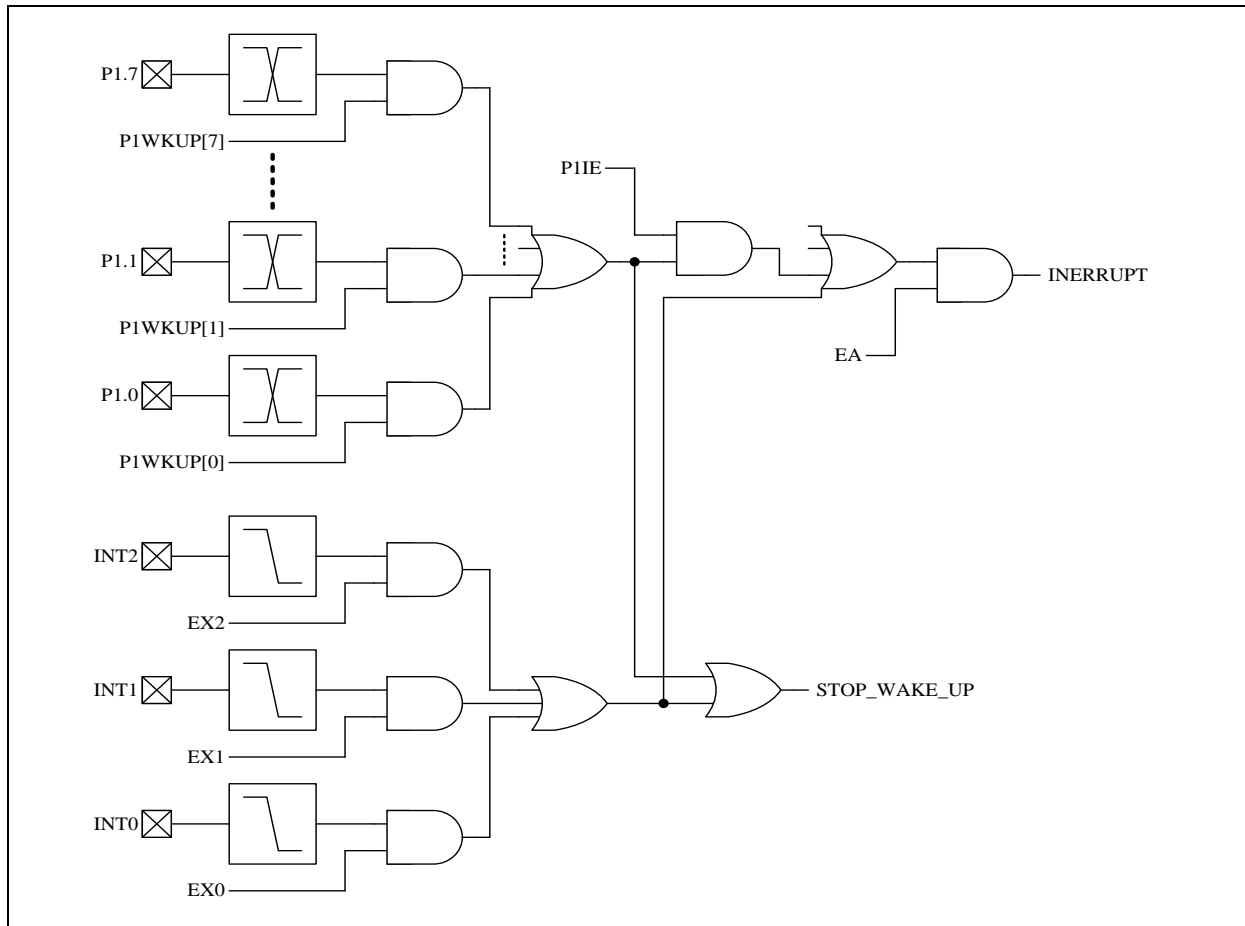
BBh.2, BAh.2 **PX2H, PX2** : External INT2 pin Interrupt Priority control. Definition as above.

BBh.1, BAh.1 **PP1H, PP1** : Port1 Pin Change Interrupt Priority control. Definition as above.

BBh.0, BAh.0 **PT3H, PT3** : Timer3 Interrupt Priority control. Definition as above.

6.2 Pin Interrupt

Pin Interrupts include INT0 (P3.2), INT1 (P3.3), INT2 (P2.7) and Port1 Change Interrupt. These pins also have the Stop mode wake up capability. INT0 and INT1 are falling edge or low level triggered as the 8051 standard. INT2 is falling edge triggered and Port1 Change Interrupt is triggered by any Port1 pin state change.



Pin Interrupt & Wake up

SFR 88h	Bit 7	Bit 6	Bit 5	Bit 4	Bit 3	Bit 2	Bit 1	Bit 0
TCON	TF1	TR1	TF0	TR0	IE1	IT1	IE0	IT0
R/W	R/W	R/W	R/W	R/W	R/W	R/W	R/W	R/W
Reset	0	0	0	0	0	0	0	0

- 88h.3 **IE1:** External Interrupt 1 (INT1 pin) edge flag.
Set by H/W when an INT1 pin falling edge is detected, no matter the EX1 is 0 or 1.
It is cleared automatically when the program performs the interrupt service routine.
- 88h.2 **IT1:** External Interrupt 1 control bit
0: Low level active (level triggered) for INT1 pin
1: Falling edge active (edge triggered) for INT1 pin
- 88h.1 **IE0:** External Interrupt 0 (INT0 pin) edge flag
Set by H/W when an INT0 pin falling edge is detected, no matter the EX0 is 0 or 1.
It is cleared automatically when the program performs the interrupt service routine.
- 88h.0 **IT0:** External Interrupt 0 control bit
0: Low level active (level triggered) for INT0 pin
1: Falling edge active (edge triggered) for INT0 pin

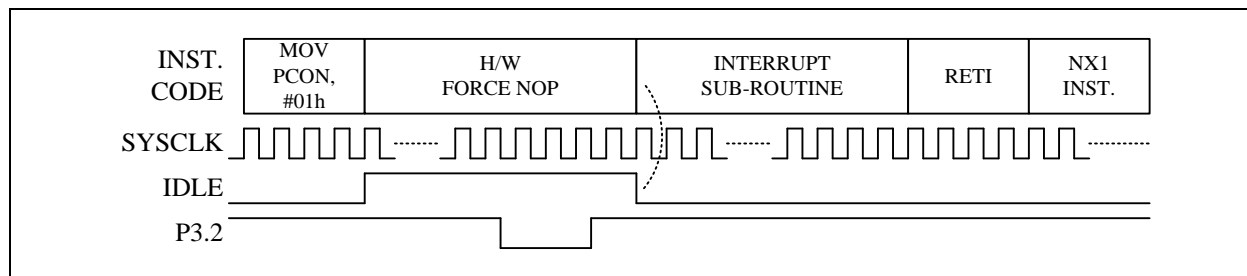
SFR 95h	Bit 7	Bit 6	Bit 5	Bit 4	Bit 3	Bit 2	Bit 1	Bit 0
INTFLG	–	–	–	–	TKIF	IE2	P1IF	TF3
R/W	–	–	–	–	R/W	R/W	R/W	R/W
Reset	–	–	–	–	0	0	0	0

- 95h.2 **IE2:** External Interrupt 2 (INT2 pin) edge flag
 Set by H/W when a falling edge is detected on the INT2 pin, no matter the EX2 is 0 or 1.
 It is cleared automatically when the program performs the interrupt service routine.
 S/W can write FBh to INTFLG to clear this bit.
- 95h.1 **P1IF:** Port1 pin change interrupt flag
 Set by H/W when a Port1 pin state change is detected and its interrupt enable bit is set (P1WKUP).
 P1IE does not affect this flag's setting.
 It is cleared automatically when the program performs the interrupt service routine.
 S/W can write FDh to INTFLG to clear this bit.

Note2: S/W can write 0 to clear a flag in the INTFLG, but writing 1 has no effect.

6.3 Idle mode Wake up and Interrupt

Idle mode is waked up by enabled Interrupts, which means individual interrupt enable bit (ex: EX0) and EA bit must be both set to 1 to establish Idle mode wake up capability. All enabled Interrupts (Pins, Timers, TK, SPI and UART) can wake up CPU from Idle mode. Upon Idle wake-up, Interrupt service routine is entered immediately. “The first instruction behind IDL (PCON.0) setting” is executed after interrupt service routine return.



EA=EX0=1, Idle mode wake-up and Interrupt by P3.2 (INT0)

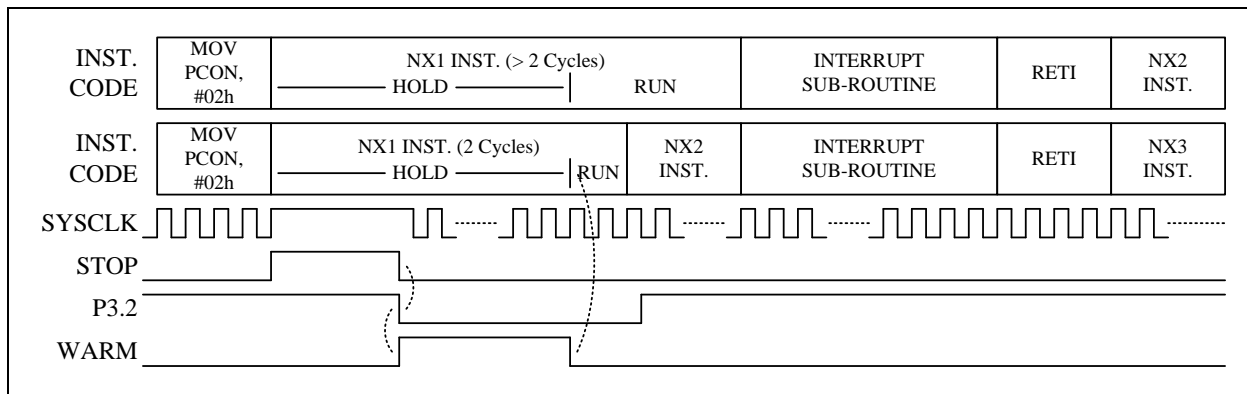
SFR 87h	Bit 7	Bit 6	Bit 5	Bit 4	Bit 3	Bit 2	Bit 1	Bit 0
PCON	SMOD	–	–	–	GF1	GF0	PD	IDL
R/W	R/W	–	–	–	R/W	R/W	R/W	R/W
Reset	0	–	–	–	0	0	0	0

- 87h.1 **PD:** Power down control bit, set 1 to enter STOP mode.
 87h.0 **IDL:** Idle mode control bit, set 1 to enter IDLE mode.

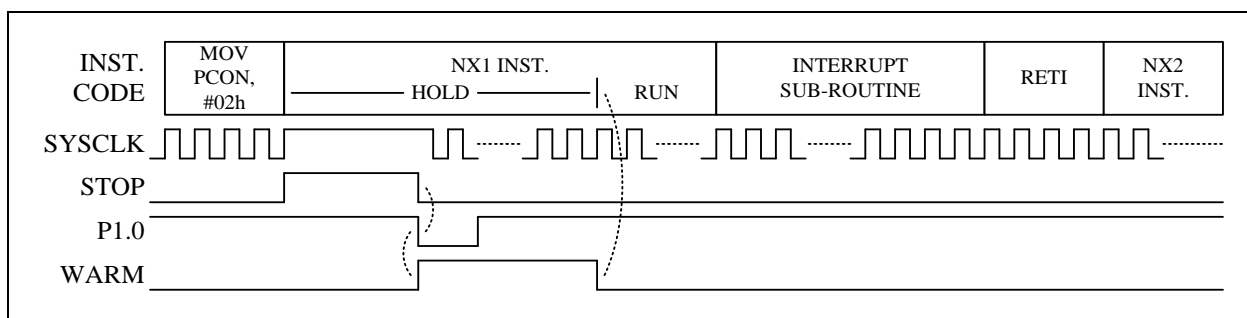
6.4 Stop mode Wake up and Interrupt

Stop mode wake up is simple, as long as the individual pin interrupt enable bit (ex: EX0) is set, the pin wake up capability is asserted. Set EX0/EX1/EX2 can enable INT0/INT1/INT2 pins' Stop mode wake up capability. Set P1WKUP bit 7~0 can enable P1.7~P1.0's Stop mode wake up capability. Upon Stop wake up, “the first instruction behind PD setting (PCON.1)” is executed immediately before Interrupt service. Interrupt entry requires EA=1 (P1WKUP also needs P1IE=1) and trigger state of the pin staying sufficiently long to be observed by the System clock. This feature allows CPU to enter or not enter Interrupt sub-routine after Stop mode wake up.

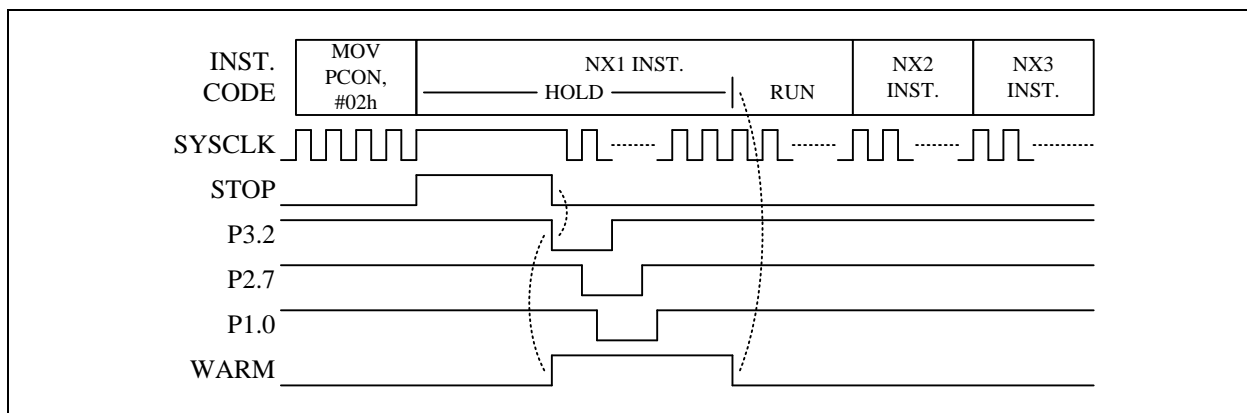
Note: Chip cannot enter Stop Mode if INTn pin is low and wakeup is enable. (INTn=0 and EXn=1, n=0,1,2)
Note: It is recommended to place the NX1/NX2 with NOP Instruction in figures below.



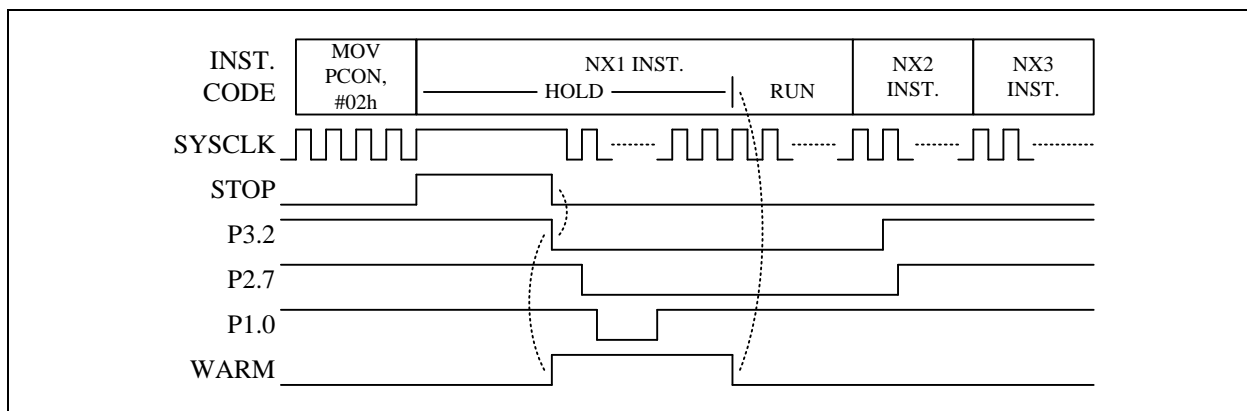
EA=EX0=1, P3.2 (INT0) is sampled after warm-up, Stop mode wake-up and Interrupt



EA=P1IE=P1WKUP=1, P1.0 change (not need clock sample), Stop mode wake-up and Interrupt



EA=EX0=EX2=P1WKUP=1, P1IE=0, Stop mode wake-up but not Interrupt. P3.2/P2.7 pulse too narrow



EX0=EX2=P1WKUP=P1IE=1, EA=0, Stop mode wake-up but not Interrupt

7. I/O Ports

The **F2280** has total 32 multi-function I/O pins. All I/O pins follow the standard 8051 “Read-Modify-Write” feature. The instructions that read the SFR rather than the Pin State are the ones that read a port or port bit value, possibly change it, and then rewrite it to the SFR. (ex: ANL P1, A; INC P2; CPL P3.0)

7.1 Port1 & Port3

These pins can operate in four different modes as below.

Mode	Port1, Port3 pin function		P1.n / P3.n SFR data	Pin State	Resistor Pull-up	Digital Input
	P3.0~P3.2	Others				
Mode 0	Pseudo Open Drain	Open Drain	0	Drive Low	N	N
			1	Pull-up	Y	Y
Mode 1	Pseudo Open Drain	Open Drain	0	Drive Low	N	N
			1	Hi-Z	N	Y
Mode 2	CMOS Output		0	Drive Low	N	N
			1	Drive High	N	N
Mode 3	Alternative Function, such as LCD, ADC and Clock output		X (don't care)	—	N	N

Port1, Port3 I/O Pin Function Table

If a Port1 or Port3 pin is used for Schmitt-trigger input, S/W must set the I/O pin to Mode0 or Mode1 and set the corresponding Port Data SFR to 1 to disable the pin's output driving circuitry.

Beside I/O port function, each Port1 and Port3 pin has one or more alternative functions, such as Touch Key, ADC, LCD and Clock output. Most of the functions are activated by setting the individual pin mode control SFR to Mode3. Port1/Port3 pins also have standard 8051 auxiliary definition such as INT0/1, T0/1/2, or RXD/TXD. These pin functions need to set the pin mode SFR to Mode0 or Mode1 and keep the P1.n / P3.n SFR at 1.

Pin Name	8051	Wake-up	CKO	ADC	TK	LCD	Mode3
P1.0	T2	Y	T2O		TK7		T2O
P1.1	T2EX	Y		ADC1	TK6		ADC1
P1.2		Y		ADC2	TK5		ADC2
P1.3		Y		ADC3	TK4		ADC3
P1.4		Y		ADC4	TK3		ADC4
P1.5		Y		ADC5	TK2		ADC5
P1.6		Y		ADC6	TK1		ADC6
P1.7		Y		ADC7	TK0		ADC7
P3.0	RXD				TK14	SEG23	SEG23
P3.1	TXD				TK13	SEG24	SEG24
P3.2	INT0	Y			TK12	SEG25	SEG25
P3.3	INT1	Y			TK11	SEG26	SEG26
P3.4	T0				CLD		CLD
P3.5	T1		T1O		TK10		T1O
P3.6			T1B		TK9		T1B
P3.7			TCO		TK8		TCO

Port1, Port3 multi-function Table

The necessary SFR setting for Port1/Port3 pin's alternative functions is list below.

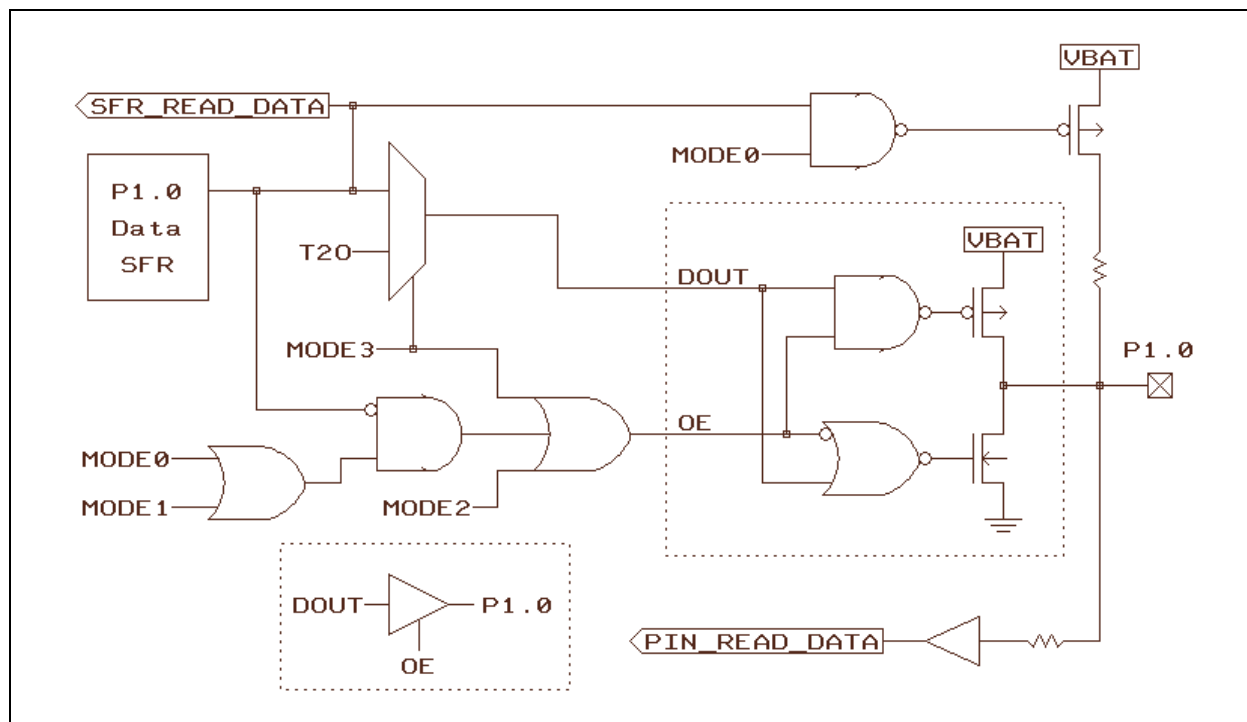
Alternative Function	Mode	P1.n / P3.n SFR data	Pin State
T0, T1, T2, T2EX, INT0, INT1	0	1	Input with Pull-up
	1	1	Input
RXD, TXD	0	1	Input with Pull-up / Pseudo Open Drain Output
	1	1	Input / Pseudo Open Drain Output
TCO, T10, T1B, T2O	3	X	Clock Output (CMOS Push-Pull)
SEG23~SEG26	3	X	LCD Waveform Output
TK0~TK14	0	1	Touch Key Idling or Scanning
CLD	3	X	Touch Key charge collection
ADC1~ADC7	3	X	ADC analog Input

Mode Setting for Port1, Port3 Alternative Function

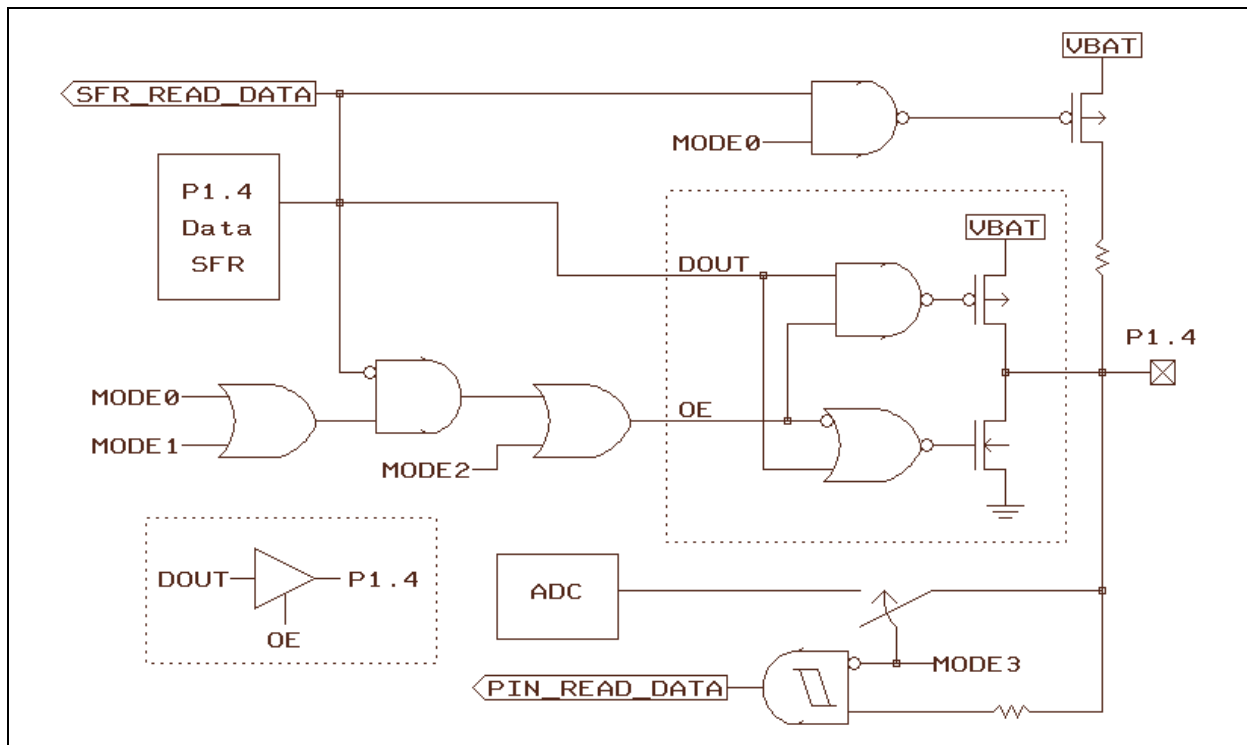
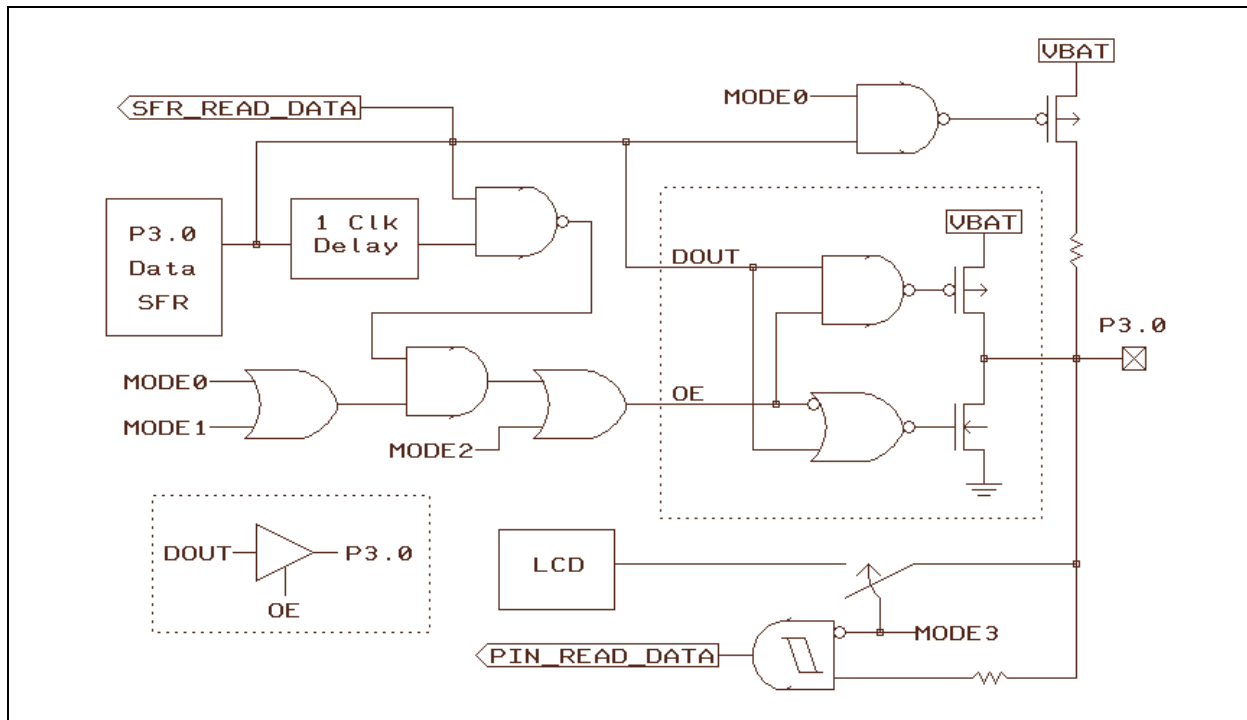
For tables above, a “**CMOS Output**” pin means it can sink and drive at least 4mA current. It is not recommended to use such pin as input function.

An “**Open Drain**” pin means it can sink at least 4mA current but only drive a small current (< 20uA). It can be used as input or output function and typically needs an external pull up resistor.

An 8051 standard pin is a “**Pseudo Open Drain**” pin. It can sink at least 4mA current when output is at low level, and drives at least 4mA current for 1~2 clock cycle when output transits from low to high, then keeps driving a small current (< 20uA) to maintain the pin at high level. It can be used as input or output function.



P1.0 Pin Structure


P1.4 Pin Structure

P3.0 Pin Structure

SFR 90h	Bit 7	Bit 6	Bit 5	Bit 4	Bit 3	Bit 2	Bit 1	Bit 0
P1	P1.7	P1.6	P1.5	P1.4	P1.3	P1.2	P1.1	P1.0
R/W	R/W	R/W	R/W	R/W	R/W	R/W	R/W	R/W
Reset	1	1	1	1	1	1	1	1

 90h.7~0 **P1:** Port1 data

SFR B0h	Bit 7	Bit 6	Bit 5	Bit 4	Bit 3	Bit 2	Bit 1	Bit 0
P3	P3.7	P3.6	P3.5	P3.4	P3.3	P3.2	P3.1	P3.0
R/W	R/W	R/W	R/W	R/W	R/W	R/W	R/W	R/W
Reset	1	1	1	1	1	1	1	1

B0h.7~0 **P3**: Port3 data

SFR A2h	Bit 7	Bit 6	Bit 5	Bit 4	Bit 3	Bit 2	Bit 1	Bit 0
P1MODL	P1MOD3		P1MOD2		P1MOD1		P1MOD0	
R/W	R/W		R/W		R/W		R/W	
Reset	0	0	0	0	0	0	0	0

A2h.7~6 **P1MOD3**: P1.3 pin control.

- 00: Mode0
- 01: Mode1
- 10: Mode2
- 11: Mode3, P1.3 is ADC input.

A2h.5~4 **P1MOD2**: P1.2 pin control.

- 00: Mode0
- 01: Mode1
- 10: Mode2
- 11: Mode3, P1.2 is ADC input.

A2h.3~2 **P1MOD1**: P1.1 pin control.

- 00: Mode0
- 01: Mode1
- 10: Mode2
- 11: Mode3, P1.1 is ADC input.

A2h.1~0 **P1MOD0**: P1.0 pin control.

- 00: Mode0
- 01: Mode1
- 10: Mode2
- 11: Mode3, P1.0 is "Timer2 overflow divided by 2/3/4" (T2O) CMOS push pull output.

SFR A3h	Bit 7	Bit 6	Bit 5	Bit 4	Bit 3	Bit 2	Bit 1	Bit 0
P1MODH	P1MOD7		P1MOD6		P1MOD5		P1MOD4	
R/W	R/W		R/W		R/W		R/W	
Reset	0	0	0	0	0	0	0	0

A3h.7~6 **P1MOD7**: P1.7 pin control.

- 00: Mode0
- 01: Mode1
- 10: Mode2
- 11: Mode3, P1.7 is ADC input.

A3h.5~4 **P1MOD6**: P1.6 pin control.

- 00: Mode0
- 01: Mode1
- 10: Mode2
- 11: Mode3, P1.6 is ADC input.

A3h.3~2 **P1MOD5**: P1.5 pin control.

- 00: Mode0
- 01: Mode1
- 10: Mode2
- 11: Mode3, P1.5 is ADC input.

A3h.1~0 **P1MOD4**: P1.4 pin control.

- 00: Mode0
- 01: Mode1
- 10: Mode2
- 11: Mode3, P1.4 is ADC input.

SFR A4h	Bit 7	Bit 6	Bit 5	Bit 4	Bit 3	Bit 2	Bit 1	Bit 0
P3MODL	P3MOD3		P3MOD2		P3MOD1		P3MOD0	
R/W	R/W		R/W		R/W		R/W	
Reset	1	1	1	1	1	1	1	1

- A4h.7~6 **P3MOD3**: P3.3 pin control.
 00: Mode0
 01: Mode1
 10: Mode2
 11: Mode3, P3.3 is LCD Segment output.
- A4h.5~4 **P3MOD2**: P3.2 pin control.
 00: Mode0
 01: Mode1
 10: Mode2
 11: Mode3, P3.2 is LCD Segment output.
- A4h.3~2 **P3MOD1**: P3.1 pin control.
 00: Mode0
 01: Mode1
 10: Mode2
 11: Mode3, P3.1 is LCD Segment output.
- A4h.1~0 **P3MOD0**: P3.0 pin control.
 00: Mode0
 01: Mode1
 10: Mode2
 11: Mode3, P3.0 is LCD Segment output.

SFR A5h	Bit 7	Bit 6	Bit 5	Bit 4	Bit 3	Bit 2	Bit 1	Bit 0
P3MODH	P3MOD7		P3MOD6		P3MOD5		P3MOD4	
R/W	R/W		R/W		R/W		R/W	
Reset	0	0	0	0	0	0	0	0

- A5h.7~6 **P3MOD7**: P3.7 pin control.
 00: Mode0
 01: Mode1
 10: Mode2
 11: Mode3, P3.7 is “SYSCLK divided by 1/2/3/4” (TC0) CMOS push pull output.
- A5h.5~4 **P3MOD6**: P3.6 pin control.
 00: Mode0
 01: Mode1
 10: Mode2
 11: Mode3, P3.6 is “Negative Timer1 overflow divided by 2/3/4” (T1B) CMOS push pull output.
- A5h.3~2 **P3MOD5**: P3.5 pin control.
 00: Mode0
 01: Mode1
 10: Mode2
 11: Mode3, P3.5 is “Positive Timer1 overflow divided by 2/3/4” (T1O) CMOS push pull output.
- A5h.1~0 **P3MOD4**: P3.4 pin control.
 00: Mode0
 01: Mode1
 10: Mode2
 11: Mode3, P3.4 is Touch Key charge collection (CLD).

7.2 P2.7

P2.7 can be only used as Schmitt-trigger input or open-drain output, with pull-up resistor always enable. P2.7 pin is shared with RSTn, INT2 and Flash VPP function.

7.3 P2.6~P2.0 & Port0

These pins are shared with LCD, RFC, SPI and crystal oscillator. If a Port0/2 pin is defined as I/O pin, it can be used as CMOS push-pull output or Schmitt-trigger input. The pin's pull up function is enable while SFR bit PxOE.n=0 and Px.n=1.

P2.6~P2.0 / Port0 pin function	P2OE.n / P0OE.n	P2.n / P0.n SFR data	Pin State	Resistor Pull-up	Digital Input
Input	0	0	Hi-Z	N	Y
	0	1	Pull-up	Y	Y
CMOS Output	1	0	Drive Low	N	N
	1	1	Drive High	N	N

P2.6~P2.0 & Port0 I/O Pin Function Table

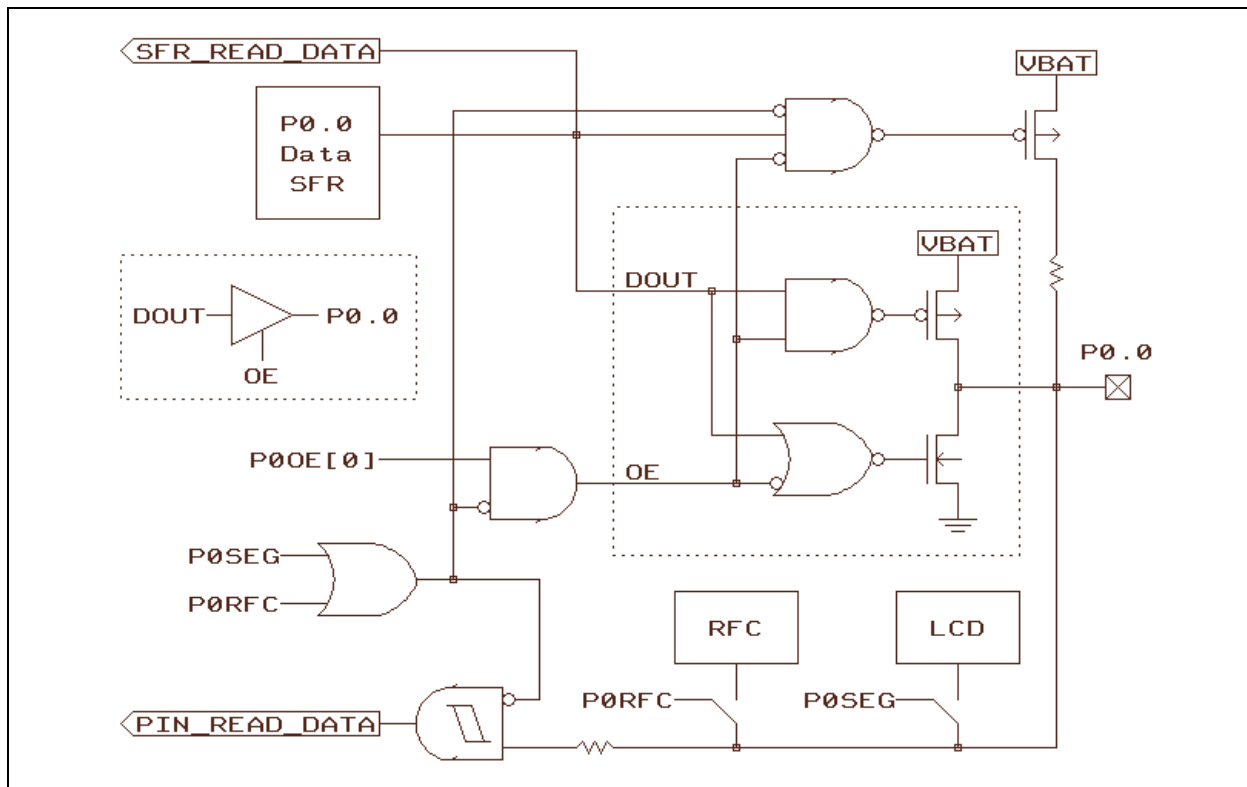
Pin Name	Wake-up	RFC	SPI	SXT/FXT	LCD	Others
P0.0		RFCX			SEG19	
P0.1		RFC0R			SEG18	
P0.2		RFC1R			SEG17	
P0.3		RFC2R			SEG16	
P0.4					SEG15	
P0.5					SEG14	
P0.6					SEG13	
P0.7				SX1		
P2.0				SX2		
P2.1				FX1	SEG12	
P2.2				FX2	SEG11	
P2.3					SEG10	
P2.4			MOSI		SEG22	
P2.5			SCK		SEG21	
P2.6			MISO		SEG20	
P2.7	Y					INT2, RSTn, VPP

Port0, Port2 multi-function Table

The necessary SFR setting for Port0/Port2 pin's alternative functions is list below.

Alternative Function	P2OE.n / P0OE.n	P2.n / P0.n SFR data	Pin State	other necessary SFR setting
RFCX, RFC0R~RFC2R	0	X	RFC clock oscillation	PINMODE, RFCON
MOSI, SCK, MISO	0	0	SPI communication	PINMODE, SPCON
SX1, SX2, FX1, FX2	0	1	Crystal oscillation	PINMODE, CLKCON
SEG10~SEG22	0	X	LCD Waveform Output	PINMODE

Mode Setting for Port0, Port2 Alternative Function


P0.0 Pin Structure

SFR 80h	Bit 7	Bit 6	Bit 5	Bit 4	Bit 3	Bit 2	Bit 1	Bit 0
P0	P0.7	P0.6	P0.5	P0.4	P0.3	P0.2	P0.1	P0.0
R/W	R/W	R/W	R/W	R/W	R/W	R/W	R/W	R/W
Reset	1	1	1	1	1	1	1	1

80h.7~0 **P0**: Port0 data, also controls the P0.n pin's pull-up function. If the P0.n SFR data is "1" and the corresponding P0OE.n=0 (input mode), the pull-up is enabled.

SFR A0h	Bit 7	Bit 6	Bit 5	Bit 4	Bit 3	Bit 2	Bit 1	Bit 0
P2	P2.7	P2.6	P2.5	P2.4	P2.3	P2.2	P2.1	P2.0
R/W	R/W	R/W	R/W	R/W	R/W	R/W	R/W	R/W
Reset	1	1	1	1	1	1	1	1

A0h.7 **P2.7**: P2.7 data, 0=Open Drain output low, 1=Schmitt-trigger input with pull up

A0h.6~0 **P2.6~P2.0**: P2.6~P2.0 data, also controls the P2.n pin's pull-up function. If the P2.n SFR data is "1" and the corresponding P2OE.n=0 (input mode), the pull-up is enabled.

SFR 91h	Bit 7	Bit 6	Bit 5	Bit 4	Bit 3	Bit 2	Bit 1	Bit 0
P0OE	P0OE							
R/W	R/W							
Reset	0	0	0	0	0	0	0	0

91h.7~0 **P0OE**: Port0 CMOS Push-Pull output enable control, 1=Enable.

SFR 93h	Bit 7	Bit 6	Bit 5	Bit 4	Bit 3	Bit 2	Bit 1	Bit 0
P2OE	–	P2OE						
R/W	–	R/W						
Reset	–	0	0	0	0	0	0	0

93h.6~0 **P2OE**: P2.6~P2.0 pin CMOS Push-Pull output enable control, 1=Enable.

SFR 92h	Bit 7	Bit 6	Bit 5	Bit 4	Bit 3	Bit 2	Bit 1	Bit 0
PINMODE	–	P2HSEG		P2LSEG		P0SEG		
R/W	–	R/W		R/W		R/W		
Reset	–	1	1	1	1	1	1	1

92h.6~5 **P2HSEG**: P2.4~P2.6 pin LCD mode control.

00: P2.4~P2.6 are I/O pins

01: P2.4 and P2.5 are I/O pins, P2.6 is LCD Segment pin

10: P2.4 is I/O pin, P2.5 and P2.6 are LCD Segment pins

11: P2.4~P2.6 are LCD Segment pins

92h.4~3 **P2LSEG**: P2.1~P2.3 pin LCD mode control.

00: P2.1~P2.3 are I/O pins

01: P2.1 and P2.2 are I/O pins, P2.3 is LCD Segment pin

10: P2.1 is I/O pin, P2.2 and P2.3 are LCD Segment pins

11: P2.1~P2.3 are LCD Segment pins

92h.2~0 **P0SEG**: Port0 LCD mode control.

000: P0.0~P0.6 are I/O pins

001: P0.0~P0.5 are I/O pins, P0.6 is LCD Segment pin

010: P0.0~P0.4 are I/O pins, P0.5~P0.6 are LCD Segment pins

011: P0.0~P0.3 are I/O pins, P0.4~P0.6 are LCD Segment pins

100: P0.0~P0.2 are I/O pins, P0.3~P0.6 are LCD Segment pins

101: P0.0~P0.1 are I/O pins, P0.2~P0.6 are LCD Segment pins

110: P0.0 is I/O pin, P0.1~P0.6 are LCD Segment pins

111: P0.0~P0.6 are LCD Segment pins

SFR BCh	Bit 7	Bit 6	Bit 5	Bit 4	Bit 3	Bit 2	Bit 1	Bit 0
SPCON	SPEN	MSTR	CPOL	CPHA	–	LSBF	SPCR	
R/W	R/W	R/W	R/W	R/W	–	R/W	R/W	
Reset	0	0	0	0	–	0	0	0

BCh.7 **SPEN**: SPI Enable.

0: SPI Disable

1: SPI Enable, P2.4~P2.6 are SPI functional pins.

SFR AFh	Bit 7	Bit 6	Bit 5	Bit 4	Bit 3	Bit 2	Bit 1	Bit 0
RFCON	P0RFC		T0SEL		RFCPSC		RFCS	
R/W	R/W		R/W		R/W		R/W	
Reset	0	0	0	0	1	1	0	0

AFh.7~6 **P0RFC**: P0.0~P0.3 pin RFC mode control.

00: P0.0~P0.3 are not RFC pins

01: P0.0 and P0.1 are RFC pins, P0.2 and P0.3 are not RFC pins

10: P0.0~P0.2 are RFC pins, P0.3 is not RFC pin

11: P0.0~P0.3 are RFC pins

SFR D8h	Bit 7	Bit 6	Bit 5	Bit 4	Bit 3	Bit 2	Bit 1	Bit 0
CLKCON	FCKTYPE	FSUBSEL	SELFCK	SCKTYPE	STPFSUB	CLKPSC		
R/W	R/W	R/W	R/W	R/W	R/W	R/W		
Reset	0	0	0	0	0	1	0	1

D8h.6 **FSUBSEL**: Set 1 to enable P2.1 and P2.2 pin's FXT oscillation mode

D8h.4 **SCKTYPE**: Set 1 to enable P0.7 and P2.0 pin's SXT oscillation mode

Note: In crystal mode, user should set the P2.1/P2.2 (FXT) or P0.7/P2.0 (SXT) pins as Input with Pull-up.

8. Timers

Timer0, Timer1 and Timer2 are provided as standard 8051 compatible timer/counter. Timer3 is provided for a real-time clock count. Compare to the traditional 12T 8051, the chip's Timer0/1/2 use 2 System clock cycle as the time base unit. That is, in timer mode, these timers increase at every “2 System clock” rate; in counter mode, T0/T1/T2 pin input pulse must be wider than 2 System clock to be seen by this device. In addition to the standard 8051 timers function, the T1O and T1B pin can output the positive and negative “Timer1 overflow divided by 2/3/4” signal, and the T2O pin can output the “Timer2 overflow divided by 2/3/4” signal. These outputs can be used for Buzzer application. Timer0’s extra utility is to supports RFC/SXT count. The RFC clock divided by 1/4/16/64 signal or SXT clock can replace T0 pin as the Timer0’s event count input.

8.1 Timer0 / Timer1

TCON and TMOD are used to set the mode of operation and to control the running and interrupt generation of the Timer0/1, with the timer/counter values stored in two pairs of 8-bit registers (TL0, TH0, and TL1, TH1).

SFR 88h	Bit 7	Bit 6	Bit 5	Bit 4	Bit 3	Bit 2	Bit 1	Bit 0
TCON	TF1	TR1	TF0	TR0	IE1	IT1	IE0	IT0
R/W	R/W	R/W	R/W	R/W	R/W	R/W	R/W	R/W
Reset	0	0	0	0	0	0	0	0

- 88h.7 **TF1:** Timer1 overflow flag
Set by H/W when Timer/Counter 1 overflows
Cleared by H/W when CPU vectors into the interrupt service routine.
- 88h.6 **TR1:** Timer1 run control
0: Timer1 stops
1: Timer1 runs
- 88h.5 **TF0:** Timer0 overflow flag
Set by H/W when Timer/Counter 0 overflows
Cleared by H/W when CPU vectors into the interrupt service routine.
- 88h.4 **TR0:** Timer0 run control
0: Timer0 stops
1: Timer0 runs

SFR 89h	Bit 7	Bit 6	Bit 5	Bit 4	Bit 3	Bit 2	Bit 1	Bit 0
TMOD	GATE1	CT1N	TMOD1		GATE0	CT0N	TMOD0	
R/W	R/W	R/W	R/W		R/W	R/W	R/W	
Reset	0	0	0	0	0	0	0	0

- 89h.7 **GATE1:** Timer1 gating control bit
0: Timer1 enable when TR1 bit is set
1: Timer1 enable only while the INT1 pin is high and TR1 bit is set
- 89h.6 **CT1N:** Timer1 Counter/Timer select bit
0: Timer mode, Timer1 data increases at 2 System clock cycle rate
1: Counter mode, Timer1 data increases at T1 pin’s negative edge
- 89h.5~4 **TMOD1:** Timer1 mode select
00: 8-bit timer/counter (TH1) and 5-bit prescaler (TL1)
01: 16-bit timer/counter
10: 8-bit auto-reload timer/counter (TL1). Reloaded from TH1 at overflow.
11: Timer1 stops

- 89h.3 **GATE0:** Timer0 gating control bit
 0: Timer0 enable when TR0 bit is set
 1: Timer0 enable only while the INTO pin is high and TR0 bit is set
- 89h.2 **CT0N:** Timer0 Counter/Timer select bit
 0: Timer mode, Timer0 data increases at 2 System clock cycle rate
 1: Counter mode, Timer0 data increases at T0 pin's negative edge
- 89h.1~0 **TMOD0:** Timer0 mode select
 00: 8-bit timer/counter (TH0) and 5-bit prescaler (TL0)
 01: 16-bit timer/counter
 10: 8-bit auto-reload timer/counter (TL0). Reloaded from TH0 at overflow.
 11: TL0 is an 8-bit timer/counter. TH0 is an 8-bit timer/counter using Timer1's TR1 and TF1 bits.

SFR 8Ah	Bit 7	Bit 6	Bit 5	Bit 4	Bit 3	Bit 2	Bit 1	Bit 0
TL0	TL0							
R/W	R/W							
Reset	0	0	0	0	0	0	0	0

8Ah.7~0 **TL0:** Timer0 data low byte

SFR 8Bh	Bit 7	Bit 6	Bit 5	Bit 4	Bit 3	Bit 2	Bit 1	Bit 0
TL1	TL1							
R/W	R/W							
Reset	0	0	0	0	0	0	0	0

8Bh.7~0 **TL1:** Timer1 data low byte

SFR 8Ch	Bit 7	Bit 6	Bit 5	Bit 4	Bit 3	Bit 2	Bit 1	Bit 0
TH0	TH0							
R/W	R/W							
Reset	0	0	0	0	0	0	0	0

8Ch.7~0 **TH0:** Timer0 data high byte

SFR 8Dh	Bit 7	Bit 6	Bit 5	Bit 4	Bit 3	Bit 2	Bit 1	Bit 0
TH1	TH1							
R/W	R/W							
Reset	0	0	0	0	0	0	0	0

8Dh.7~0 **TH1:** Timer1 data high byte

SFR AFh	Bit 7	Bit 6	Bit 5	Bit 4	Bit 3	Bit 2	Bit 1	Bit 0
RFCON	P0RFC		T0SEL		RFCPSC		RFCS	
R/W	R/W		R/W		R/W		R/W	
Reset	0	0	0	0	1	1	0	0

- AFh.5~4 **T0SEL:** Timer0 Counter mode (CT0N=1) T0 input select
 00: P3.4 pin (8051 standard)
 01: RFC clock divided by 1/4/16/64
 10: SXT clock
 11: RFC clock divided by 1/4/16/64 gated by Timer2 overflow

- AFh.3~2 **RFCPSC:** RFC clock divider to Timer0
 00: divided by 64
 01: divided by 16
 10: divided by 4
 11: divided by 1

8.2 Timer2

Timer2 is controlled through the TCON2 register with the low and high bytes of Timer/Counter2 stored in TL2 and TH2 and the low and high bytes of the Timer2 reload/capture registers stored in RCAP2L and RCAP2H.

SFR C8h	Bit 7	Bit 6	Bit 5	Bit 4	Bit 3	Bit 2	Bit 1	Bit 0
T2CON	TF2	EXF2	RCLK	TCLK	EXEN2	TR2	CT2N	CPRL2N
R/W	R/W	R/W	R/W	R/W	R/W	R/W	R/W	R/W
Reset	0	0	0	0	0	0	0	0

- C8h.7 **TF2:** Timer2 overflow flag
Set by H/W when Timer/Counter 2 overflows unless RCLK=1 or TCLK=1. This bit must be cleared by S/W.
- C8h.6 **EXF2:** T2EX interrupt pin falling edge flag
Set when a capture or a reload is caused by a negative transition on T2EX pin if EXEN2=1. This bit must be cleared by S/W.
- C8h.5 **RCLK:** UART receive clock control bit
0: Use Timer1 overflow as receive clock for serial port in mode 1 or 3
1: Use Timer2 overflow as receive clock for serial port in mode 1 or 3
- C8h.4 **TCLK:** UART transmit clock control bit
0: Use Timer1 overflow as transmit clock for serial port in mode 1 or 3
1: Use Timer2 overflow as transmit clock for serial port in mode 1 or 3
- C8h.3 **EXEN2:** T2EX pin enable
0: T2EX pin disable
1: T2EX pin enable, it cause a capture or reload when a negative transition on T2EX pin is detected if RCLK=TCLK=0
- C8h.2 **TR2:** Timer2 run control
0: Timer2 stops
1: Timer2 runs
- C8h.1 **CT2N:** Timer2 Counter/Timer select bit
0: Timer mode, Timer2 data increases at 2 System clock cycle rate
1: Counter mode, Timer2 data increases at T2 pin's negative edge
- C8h.0 **CPRL2N:** Timer2 Capture/Reload control bit
0: Reload mode, auto-reload on Timer2 overflows or negative transitions on T2EX pin if EXEN2=1.
1: Capture mode, capture on negative transitions on T2EX pin if EXEN2=1.
If RCLK=1 or TCLK=1, CPRL2N is ignored and timer is forced to auto-reload on Timer2 overflow.

SFR CAh	Bit 7	Bit 6	Bit 5	Bit 4	Bit 3	Bit 2	Bit 1	Bit 0
RCP2L	RCP2L							
R/W	R/W							
Reset	0	0	0	0	0	0	0	0

CAh.7~0 **RCP2L:** Timer2 reload/capture data low byte

SFR CBh	Bit 7	Bit 6	Bit 5	Bit 4	Bit 3	Bit 2	Bit 1	Bit 0
RCP2H	RCP2H							
R/W	R/W							
Reset	0	0	0	0	0	0	0	0

CBh.7~0 **RCP2H:** Timer2 reload/capture data high byte

SFR CCh	Bit 7	Bit 6	Bit 5	Bit 4	Bit 3	Bit 2	Bit 1	Bit 0
TL2	TL2							
R/W	R/W							
Reset	0	0	0	0	0	0	0	0

CCh.7~0 **TL2**: Timer2 data low byte

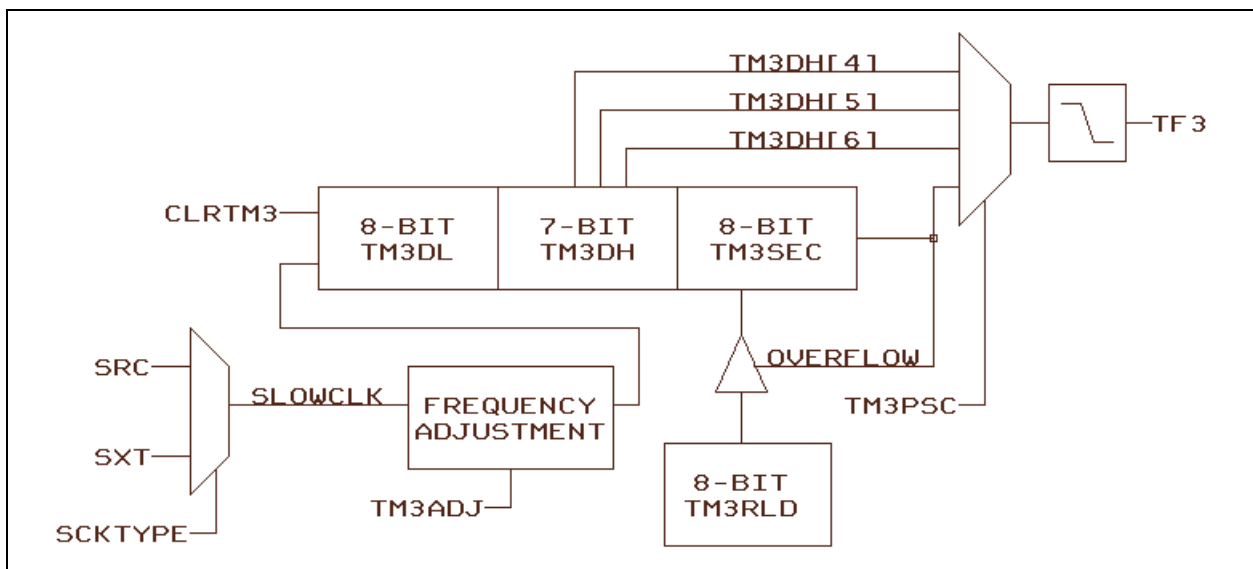
SFR CDh	Bit 7	Bit 6	Bit 5	Bit 4	Bit 3	Bit 2	Bit 1	Bit 0
TH2	TH2							
R/W	R/W							
Reset	0	0	0	0	0	0	0	0

CDh.7~0 **TH2**: Timer2 data high byte

8.3 Timer3

The 23-bit wide Timer3 is reloadable for its 8-bit MSB when overflow. Its time base is Slow clock (SRC or SXT). Timer3 can generate interrupt periodically at different rate, and its counting data can be read out by CPU. It is recommended to read Timer3 data in Slow mode. While CPU clock is switched to Fast clock, the clock source of CPU and Timer3 are different, CPU may read a “under changing Timer3 data”. User F/W must have some filter mechanism to avoid such kind un-stability. On the contrast, Timer3 interrupt has no ambiguous behavior no matter what the CPU clock source is.

Timer3 can control its counting rate by the TM3ADJ SFR. This feature compensates the 32768 SXT crystal’s in-accuracy. While TM3ADJ=0, Timer3 increase its data count normally at each Slow clock cycle. If TM3ADJ is set to positive adjustment, Timer3 increase its data count by 2 in particular Slow clock cycles, resulting a faster counting rate. If TM3ADJ is set to negative adjustment, Timer3 stop increase in particular Slow clock cycles, resulting a slower counting rate. The adjustment is 0.477ppm per step, and the total adjustable range is ± 61ppm.



Timer3 Structure

SFR F8h	Bit 7	Bit 6	Bit 5	Bit 4	Bit 3	Bit 2	Bit 1	Bit 0
AUX1	–	–	–	TKSOC	CLRWDT	CLR TM3	STPRFC	DPSEL
R/W	–	–	–	R/W	R/W	R/W	R/W	R/W
Reset	–	–	–	0	0	0	0	0

F8h.2 **CLR TM3**: Set 1 to Clear Timer3 and force TM3SEC reload

SFR 94h	Bit 7	Bit 6	Bit 5	Bit 4	Bit 3	Bit 2	Bit 1	Bit 0
OPTION	SXTGAIN		STPPCK	PWRFLT	UART1W	WDTPSC	TM3PSC	
R/W	R/W		R/W	R/W	R/W	R/W	R/W	
Reset	1	1	0	0	0	0	0	1

94h.1~0 **TM3PSC**: Timer3 Interrupt rate
 00: Timer3 interrupt occurs when 23 bit count data overflow
 01: Timer3 interrupt rate is 32768 Slow clock cycles (1.0 second for SXT)
 10: Timer3 interrupt rate is 16384 Slow clock cycles (0.5 second for SXT)
 11: Timer3 interrupt rate is 8192 Slow clock cycles (0.25 second for SXT)

SFR 95h	Bit 7	Bit 6	Bit 5	Bit 4	Bit 3	Bit 2	Bit 1	Bit 0
INTFLG	–	–	–	–	TKIF	IE2	PIIF	TF3
R/W	–	–	–	–	R/W	R/W	R/W	R/W
Reset	–	–	–	–	0	0	0	0

95h.0 **TF3**: Timer3 Interrupt Flag
 Set by H/W when Timer3 reaches TM3PSC setting cycles. Cleared automatically when the program performs the interrupt service routine. S/W can write FEh to INTFLG to clear this bit. (*Note2*)

SFR B3h	Bit 7	Bit 6	Bit 5	Bit 4	Bit 3	Bit 2	Bit 1	Bit 0
TM3SEC	TM3SEC							
R/W	R							
Reset	–	–	–	–	–	–	–	–

B3h.7~0 **TM3SEC**: Timer3 count data bit 22~15

SFR B4h	Bit 7	Bit 6	Bit 5	Bit 4	Bit 3	Bit 2	Bit 1	Bit 0
TM3DL	TM3DL							
R/W	R							
Reset	–	–	–	–	–	–	–	–

B4h.7~0 **TM3DL**: Timer3 count data bit 7~0

SFR B5h	Bit 7	Bit 6	Bit 5	Bit 4	Bit 3	Bit 2	Bit 1	Bit 0
TM3DH	–	TM3DH						
R/W	–	R						
Reset	–	–	–	–	–	–	–	–

B5h.6~0 **TM3DH**: Timer3 count data bit 14~8

SFR B6h	Bit 7	Bit 6	Bit 5	Bit 4	Bit 3	Bit 2	Bit 1	Bit 0
TM3RLD	TM3RLD							
R/W	R/W							
Reset	0	0	0	0	0	0	0	0

B6h.7~0 **TM3RLD**: Timer3 overflow reload data for Timer3 bit 22~15 (TM3SEC)

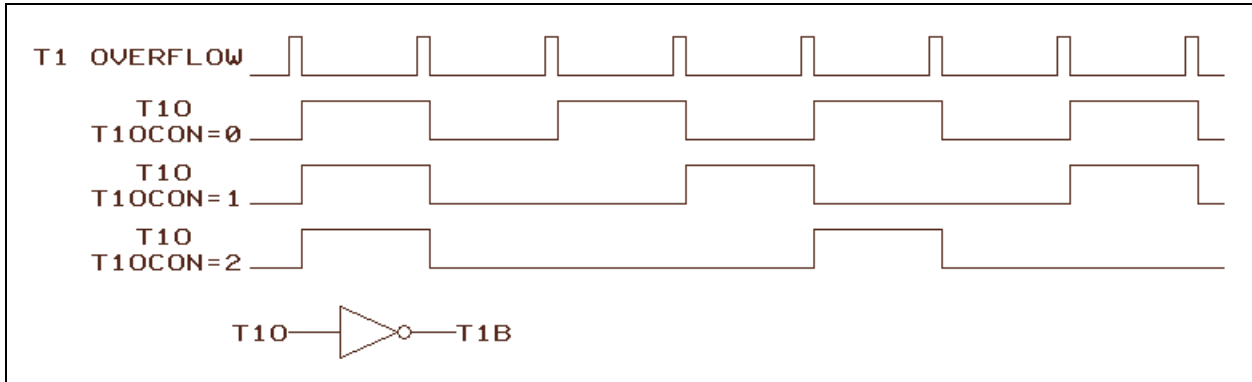
SFR B7h	Bit 7	Bit 6	Bit 5	Bit 4	Bit 3	Bit 2	Bit 1	Bit 0
TM3ADJ	TM3ADJS	TM3ADJ						
R/W	R/W	R/W						
Reset	0	0	0	0	0	0	0	0

B7h.7 **TM3ADJS**: Timer3 adjustment sign
 0: Timer3 positive adjust, to increase Timer3 counting rate
 1: Timer3 negative adjust, to decrease Timer3 counting rate

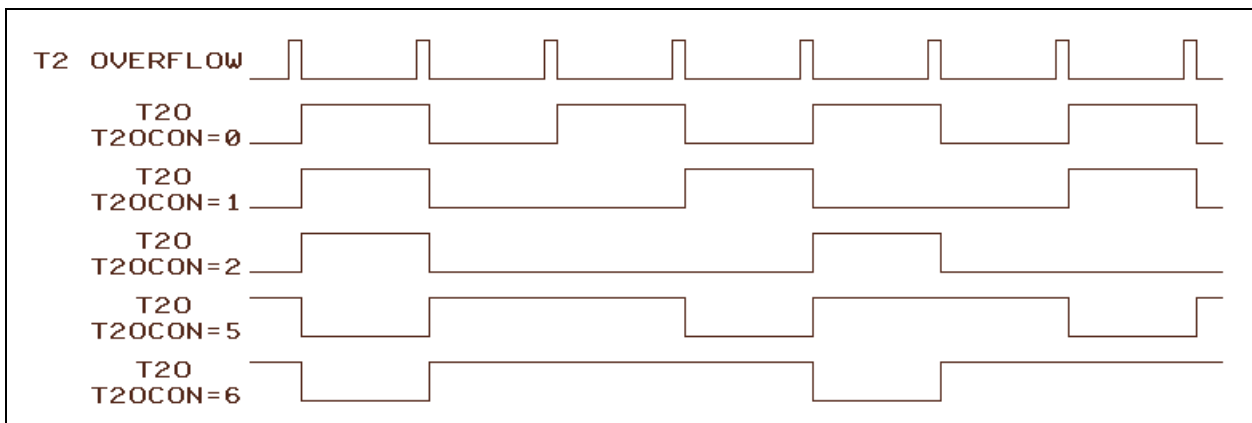
B7h.6~0 **TM3ADJ**: Timer3 adjust magnitude, 0.477 ppm per LSB.
 The adjustment is calculated as $\pm\text{TM3ADJ} \times 0.477\text{ppm}$. The total adjustable range is $\pm 61\text{ppm}$.

8.4 T1O, T1B and T2O output Control

This device can generate various frequency or duty cycle waveform output (in CMOS push pull format) for Buzzer or Remote IR control application. The T1O, T1B and T2O waveform is derived by Timer1 / Timer2 overflow signal. User can control their frequency by Timers auto reload value, as well as set their duty cycle by TOCON SFR. The pin output function is enabled by setting the P3MODH SFR to Mode3 for each pin (*see Section 7*).



T1O, T1B waveform with T1OCON



T2O waveform with T2OCON

SFR A6h	Bit 7	Bit 6	Bit 5	Bit 4	Bit 3	Bit 2	Bit 1	Bit 0
TOCON	T1OCON		T2OCON			TCOCON		
R/W	R/W		R/W			R/W		
Reset	0	0	0	0	0	0	0	0

A6h.7~6 **T1OCON**: T1O pin duty and frequency control
 00: 1/2 duty, 1/2 Timer1 overflow frequency
 01: 1/3 duty, 1/3 Timer1 overflow frequency
 10: 1/4 duty, 1/4 Timer1 overflow frequency

A6h.5~3 **T2OCON**: T2O pin duty and frequency control
 000: 1/2 duty, 1/2 Timer2 overflow frequency
 001: 1/3 duty, 1/3 Timer2 overflow frequency
 010: 1/4 duty, 1/4 Timer2 overflow frequency
 101: 2/3 duty, 1/3 Timer2 overflow frequency
 110: 3/4 duty, 1/4 Timer2 overflow frequency

Note6: also refer to Section 6 for more information about Timer0/1/2/3 Interrupt enable and priority.

9. UART

The UART uses SCON and SBUF SFRs. SCON is the control register, SBUF is the data register. Data is written to SBUF for transmission and SBUF is read to obtain received data. The received data and transmitted data registers are completely independent. In addition to standard 8051's full duplex mode, this chip also provides one wire mode. If the UART1W bit is set, both transmit and receive data use P3.1 pin.

SFR 87h	Bit 7	Bit 6	Bit 5	Bit 4	Bit 3	Bit 2	Bit 1	Bit 0
PCON	SMOD	–	–	–	GF1	GF0	PD	IDL
R/W	R/W	–	–	–	R/W	R/W	R/W	R/W
Reset	0	–	–	–	0	0	0	0

- 87h.7 **SMOD:** UART double baud rate control bit
 0: Disable UART double baud rate
 1: Enable UART double baud rate

SFR 94h	Bit 7	Bit 6	Bit 5	Bit 4	Bit 3	Bit 2	Bit 1	Bit 0
OPTION	SXTGAIN		STPPCK	PWRFLT	UART1W	WDTPSC	TM3PSC	
R/W	R/W		R/W	R/W	R/W	R/W	R/W	
Reset	1	1	0	0	0	0	0	1

- 94h.3 **UART1W:** One wire UART mode enable, both TXD/RXD use P3.1 pin
 0: Disable one wire UART mode
 1: Enable one wire UART mode

SFR 98h	Bit 7	Bit 6	Bit 5	Bit 4	Bit 3	Bit 2	Bit 1	Bit 0
SCON	SM0	SM1	SM2	REN	TB8	RB8	TI	RI
R/W	R/W	R/W	R/W	R/W	R/W	R/W	R/W	R/W
Reset	0	0	0	0	0	0	0	0

- 98h.7~6 **SM0,SM1:** Serial port mode select bit 0,1
 00: Mode0: 8 bit shift register, Baud Rate = $F_{SYSCLK} / 2$
 01: Mode1: 8 bit UART, Baud Rate is variable
 10: Mode2: 9 bit UART, Baud Rate = $F_{SYSCLK} / 32$ or / 64
 11: Mode3: 9 bit UART, Baud Rate is variable
- 98h.5 **SM2:** Serial port mode select bit 2
 SM2 enables multiprocessor communication over a single serial line and modifies the above as follows. In Modes 2 & 3, if SM2 is set then the received interrupt will not be generated if the received ninth data bit is 0. In Mode 1, the received interrupt will not be generated unless a valid stop bit is received. In Mode 0, SM2 should be 0.
- 98h.4 **REN:** UART reception enable
 0: Disable reception
 1: Enable reception
- 98h.3 **TB8:** Transmit Bit 8, the ninth bit to be transmitted in Mode 2 and 3
- 98h.2 **RB8:** Receive Bit 8, contains the ninth bit that was received in Mode 2 and 3 or the stop bit in Mode 1 if SM2=0
- 98h.1 **TI:** Transmit interrupt flag
 Set by H/W at the end of the eighth bit in Mode 0, or at the beginning of the stop bit in other modes. Must be cleared by S/W.
- 98h.0 **RI:** Receive interrupt flag
 Set by H/W at the end of the eighth bit in Mode 0, or at the sampling point of the stop bit in other modes. Must be cleared by S/W.

SFR 99h	Bit 7	Bit 6	Bit 5	Bit 4	Bit 3	Bit 2	Bit 1	Bit 0
SBUF	SBUF							
R/W	R/W							
Reset	–	–	–	–	–	–	–	–

99h.7~0 **SBUF:** UART transmit and receive data. Transmit data is written to this location and receive data is read from this location, but the paths are independent.

F_{SYSCLK} denotes System clock frequency, the UART baud rate is calculated as below.

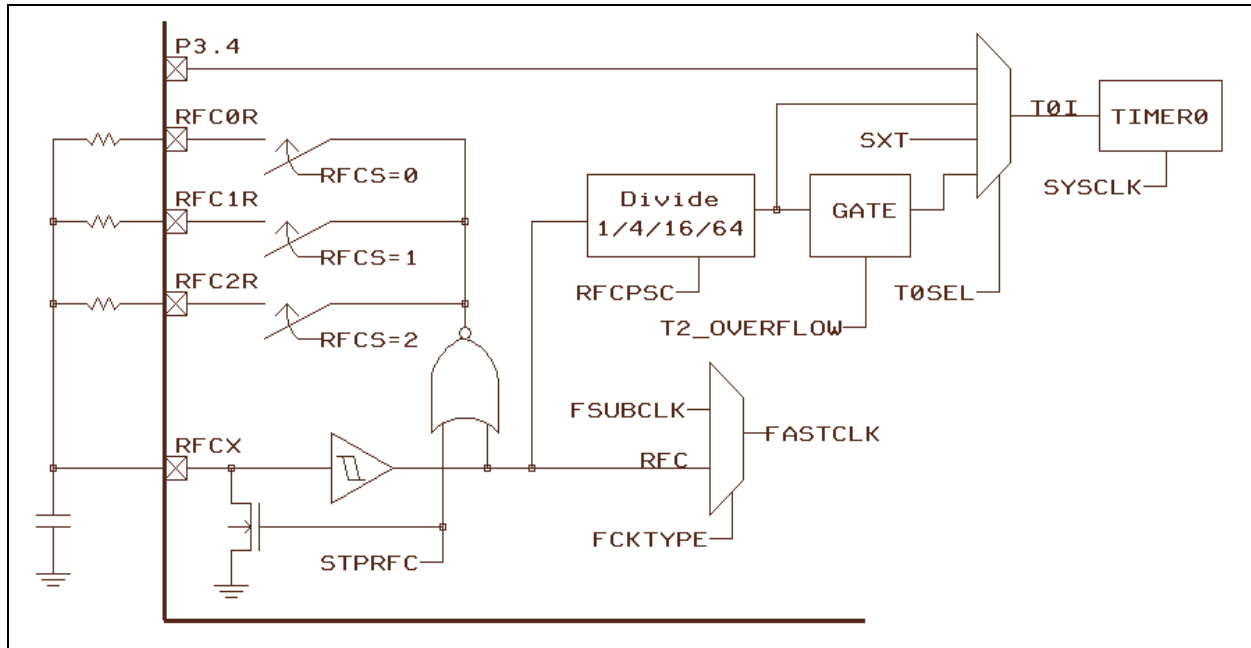
- Mode 0:**
 Baud Rate = $F_{\text{SYSCLK}} / 2$
- Mode 1, 3:** if using Timer1 auto reload mode
 Baud Rate = $(\text{SMOD} + 1) \times F_{\text{SYSCLK}} / (32 \times 2 \times (256 - \text{TH1}))$
- Mode 1, 3:** if using Timer2
 Baud Rate = $\text{Timer2 overflow rate} / 16 = F_{\text{SYSCLK}} / (32 \times (65536 - \text{RCP2H}, \text{RCP2L}))$
- Mode 2:**
 Baud Rate = $(\text{SMOD} + 1) \times F_{\text{SYSCLK}} / 64$

Note6: also refer to Section 6 for more information about UART Interrupt enable and priority.

Note8: also refer to Section 8 for more information about how Timer2 controls UART clock.

10. Resistance to Frequency Converter (RFC)

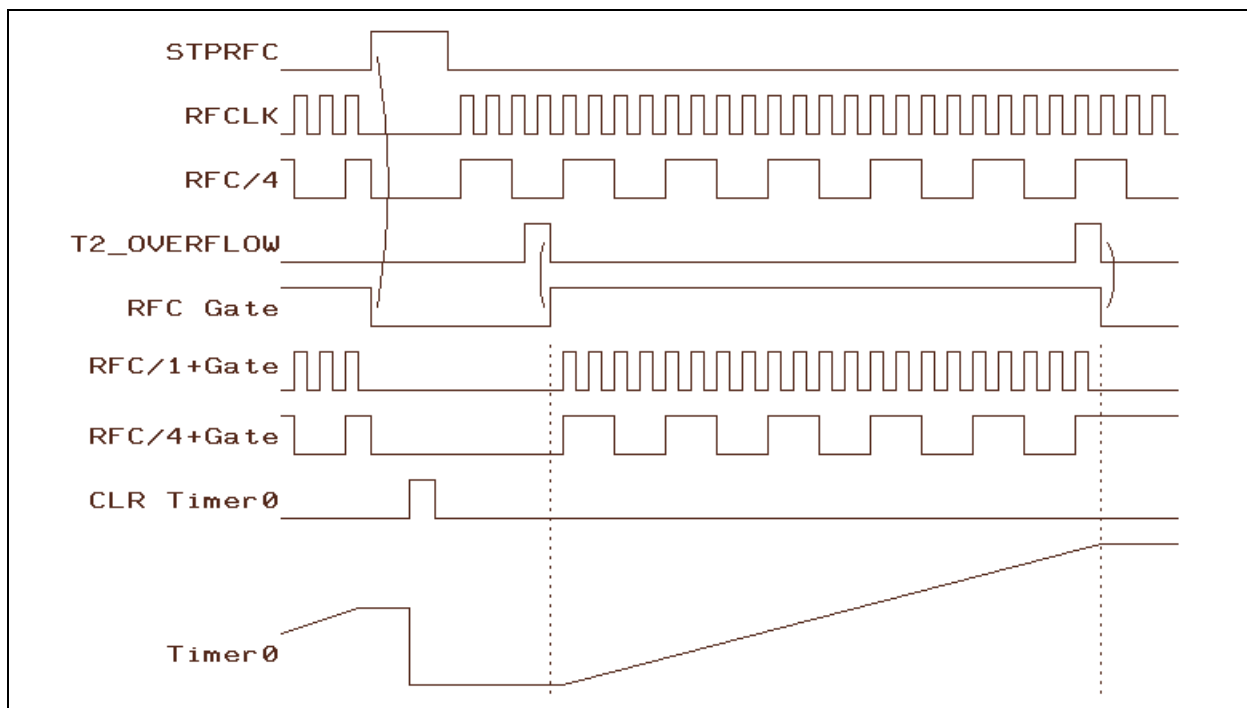
The RFC module can build the RC oscillation circuitry with RFCX pin and RFC0R, RFC1R or RFC2R pins. Only one RC oscillation circuitry is active at a time. There are 2 methods to measure the RFC clock frequency. One is to set the RFC as the Timer0 Counter mode input, the other one is to set RFC as the System clock. Since SXT/FXT is a precise timing source, user can derive the RFC frequency by comparing the Timer's count data which running by RFC and SXT/FXT.



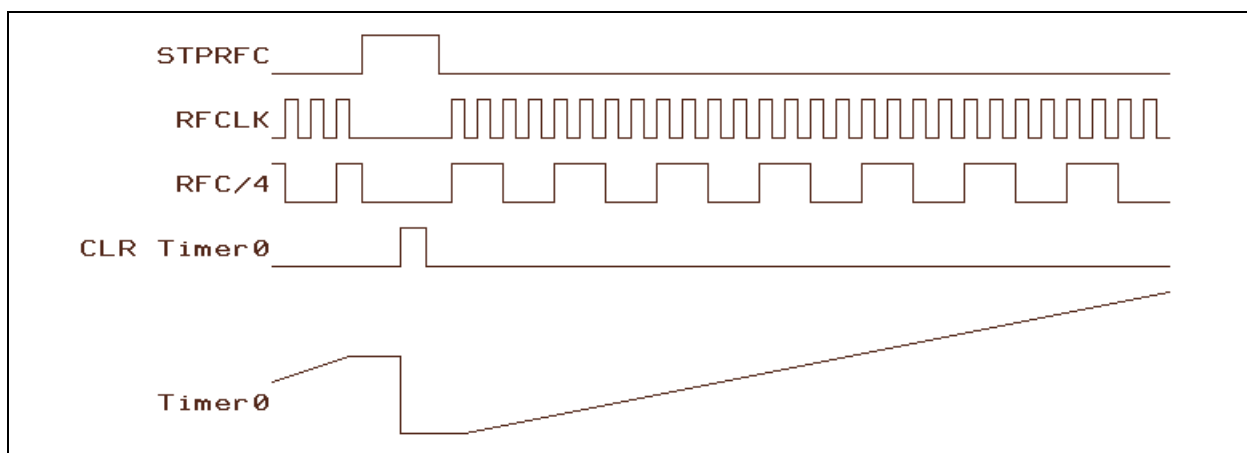
RFC Structure

The Timer0's event count input can be selected by T0SEL SFR. When T0SEL=3, the RFC clock is gated by Timer2's overflow period then go into the Timer0 for event counting. This function helps Timer0 to count the RFC clock with more accuracy by H/W automatically start and stop gating the RFC clock. The steps of this usage are described below.

1. Proper setting the PINMODE/RFCON SFR to setup the RFC oscillation circuitry.
2. CT0N=1 (Timer0 counter mode), CT2N=0 (Timer2 timer mode), T0SEL=3, FCKTYPE=0.
3. STPRFC=1, RFC gating is cleared and waiting for next Timer2 overflow to start
4. Clear Timer0, write TH2/TL2 with a data to accelerate Timer2 overflow (ex: FF00)
5. STPRFC=0, RFC starts, wait for next two Timer2 overflows.
6. The Timer0 counting the RFC clock only in between the two Timer2 overflows time slot.



RFC clock to Timer0, T0SEL = 3



RFC clock to Timer0, T0SEL = 1

SFR AFh	Bit 7	Bit 6	Bit 5	Bit 4	Bit 3	Bit 2	Bit 1	Bit 0
RFCON	P0RFC		T0SEL		RFCPSC		RFCS	
R/W	R/W		R/W		R/W		R/W	
Reset	0	0	0	0	1	1	0	0

- AFh.7~6 **P0RFC**: P0.0~P0.3 pin RFC mode control.
 00: P0.0~P0.3 are not RFC pins
 01: P0.0 and P0.1 are RFC pins, P0.2 and P0.3 are not RFC pins
 10: P0.0~P0.2 are RFC pins, P0.3 is not RFC pin
 11: P0.0~P0.3 are RFC pins
- AFh.5~4 **T0SEL**: Timer0 Counter mode (CT0N=1) T0 input select
 00: P3.4 pin (8051 standard)
 01: RFC clock divided by 1/4/16/64
 10: SXT clock
 11: RFC clock divided by 1/4/16/64 gated by Timer2 overflow
- AFh.3~2 **RFCPSC**: RFC clock divider to Timer0
 00: divided by 64
 01: divided by 16
 10: divided by 4
 11: divided by 1
- AFh.1~0 **RFCS**: Select RFC convert channel.
 00: RFC0R (P0.1)
 01: RFC1R (P0.2)
 10: RFC2R (P0.3)

SFR F8h	Bit 7	Bit 6	Bit 5	Bit 4	Bit 3	Bit 2	Bit 1	Bit 0
AUX1	–	–	–	TKSOC	CLRWDT	CLR3TM3	STPRFC	DPSEL
R/W	–	–	–	R/W	R/W	R/W	R/W	R/W
Reset	–	–	–	0	0	0	0	0

- F8h.1 **STPRFC**: Set 1 to stop RFC clock oscillating

SFR D8h	Bit 7	Bit 6	Bit 5	Bit 4	Bit 3	Bit 2	Bit 1	Bit 0
CLKCON	FCKTYPE	FSUBSEL	SELFCK	SCKTYPE	STPFSUB	CLKPSC		
R/W	R/W	R/W	R/W	R/W	R/W	R/W		
Reset	0	0	0	0	0	1	0	1

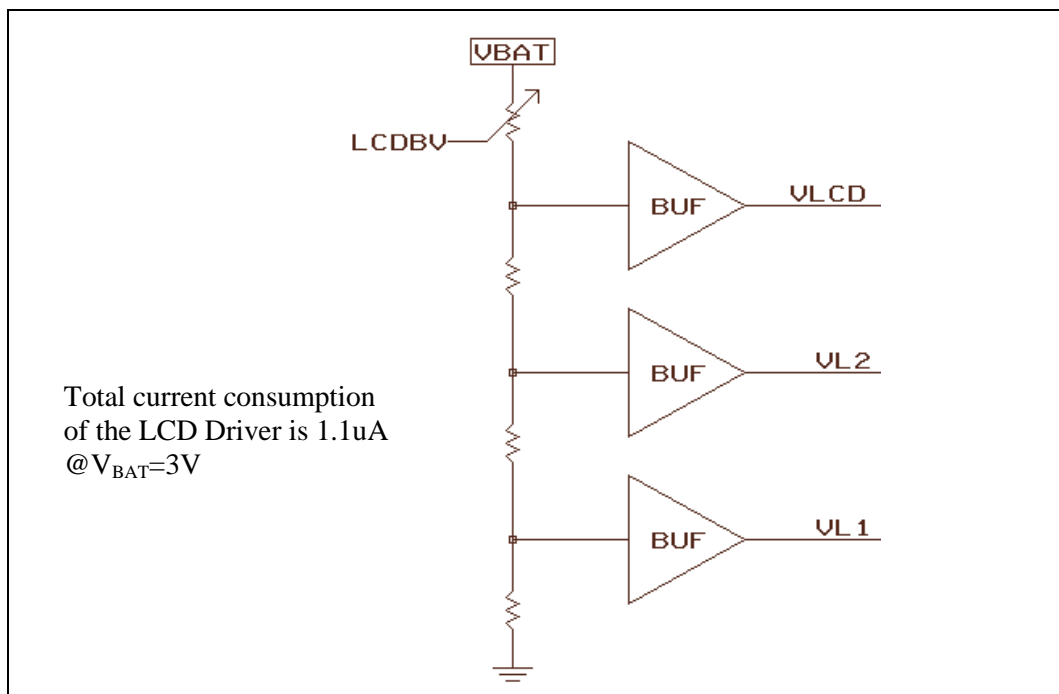
- D8h.7 **FCKTYPE**: Fast clock type select, This bit can be changed only in Slow mode (SELFCK=0)
 0: Fast clock is FSUBCLK (FRC or FXT)
 1: Fast clock is RFC, S/W must setup RFC oscillating circuitry before set this bit to 1.

Note: P0SEG has higher priority than P0RFC, S/W must disable the pin's LCD mode for RFC function.

11. LCD Driver

The 1/3 Bias LCD Driver is capable of driving the LCD panel with 3~8 Commons and 10~27 Segments. The VLCD voltage level is control by LCDBV SFR with 16 brightness level. The VL1 and VL2 voltage level are divided from VLCD. So $VL2=VLCD*2/3$, $VL1=VLCD/3$. The LCD clock can be driven by Slow clock or FSUBCLK. If SXT is the clock source, the LCD frame rate ranges from 43 Hz to 98 Hz according to LCD Duty and LCDFRM. If SRC is the LCD clock source, the V_{DD} voltage level would affect the SRC frequency and LCD frame rate. If FRC is the LCD clock source, the FRC and LCD clock frequency varies only a little by V_{DD} voltage level change.

The VL1, VL2 and VLCD (VL3) LCD 1/3 bias voltage are generated by tenx's unique tiny current LCD Buffer technology, which can drive very big LCD panel without waveform distortion, but the Driver itself only consumes 1.1uA @ $V_{BAT}=3V$. The LCD driver does not need any chip external component, so it has no pin connection.



Internal LCD Driver Structure

LCD Frame Rate (Hz)	LCDFRM (SFR B1h.1~0)			
	00	01	10	11
1/3 Duty	57	68	85	98
1/4 Duty	43	51	64	73
1/5 Duty	46	59	68	82
1/6 Duty	57	68	85	98
1/7 Duty	49	59	73	84
1/8 Duty	43	51	64	73

LCD Frame Rate when LCDCLK = SXT

SFR B1h	Bit 7	Bit 6	Bit 5	Bit 4	Bit 3	Bit 2	Bit 1	Bit 0
LCON	DSPON	LCDDUTY			LCDCLK		LCDFMR	
R/W	R/W	R/W			R/W		R/W	
Reset	0	0	0	1	0	0	1	0

B1h.7 **DSPON:** LCD / LED display enable control

0: LCD / LED disable

1: LCD / LED enable

B1h.6~4 **LCDUTY:** LCD / LED duty control

000: 1/3 duty

001: 1/4 duty

010: 1/5 duty

011: 1/6 duty

100: 1/7 duty

101: 1/8 duty

B1h.3~2 **LCDCLK:** LCD / LED clock source

00: SLOWCLK

01: SLOWCLK/2

10: FSUBCLK/128

11: FSUBCLK/256

B1h.1~0 **LCDFMR:** LCD / LED Frame rate control. If SXT is the LCD clock source, the accurate LCD frame rate is listed in the table above. If others clock is the LCD clock source, the Frame rate can be derived by the clock frequency proportional to 32KHz.

SFR B2h	Bit 7	Bit 6	Bit 5	Bit 4	Bit 3	Bit 2	Bit 1	Bit 0
LCON2	–	–	LEDMODE	LEDPL	LCDBV			
R/W	–	–	R/W	R/W	R/W			
Reset	–	–	0	1	0	0	0	1

B2h.5 **LEDMODE:** LCD / LED mode select for COM and SEG pins

0: LCD mode

1: LED mode

B2h.3~0 **LCDBV:** LCD Brightness, VLCD Voltage level control

0000: VLCD = $V_{BAT} * 24/40$

0001: VLCD = $V_{BAT} * 25/40$

0010: VLCD = $V_{BAT} * 26/40$

0011: VLCD = $V_{BAT} * 27/40$

0100: VLCD = $V_{BAT} * 28/40$

0101: VLCD = $V_{BAT} * 29/40$

0110: VLCD = $V_{BAT} * 30/40$

0111: VLCD = $V_{BAT} * 31/40$

1000: VLCD = $V_{BAT} * 33/40$

1001: VLCD = $V_{BAT} * 34/40$

1010: VLCD = $V_{BAT} * 35/40$

1011: VLCD = $V_{BAT} * 36/40$

1100: VLCD = $V_{BAT} * 37/40$

1101: VLCD = $V_{BAT} * 38/40$

1110: VLCD = $V_{BAT} * 39/40$

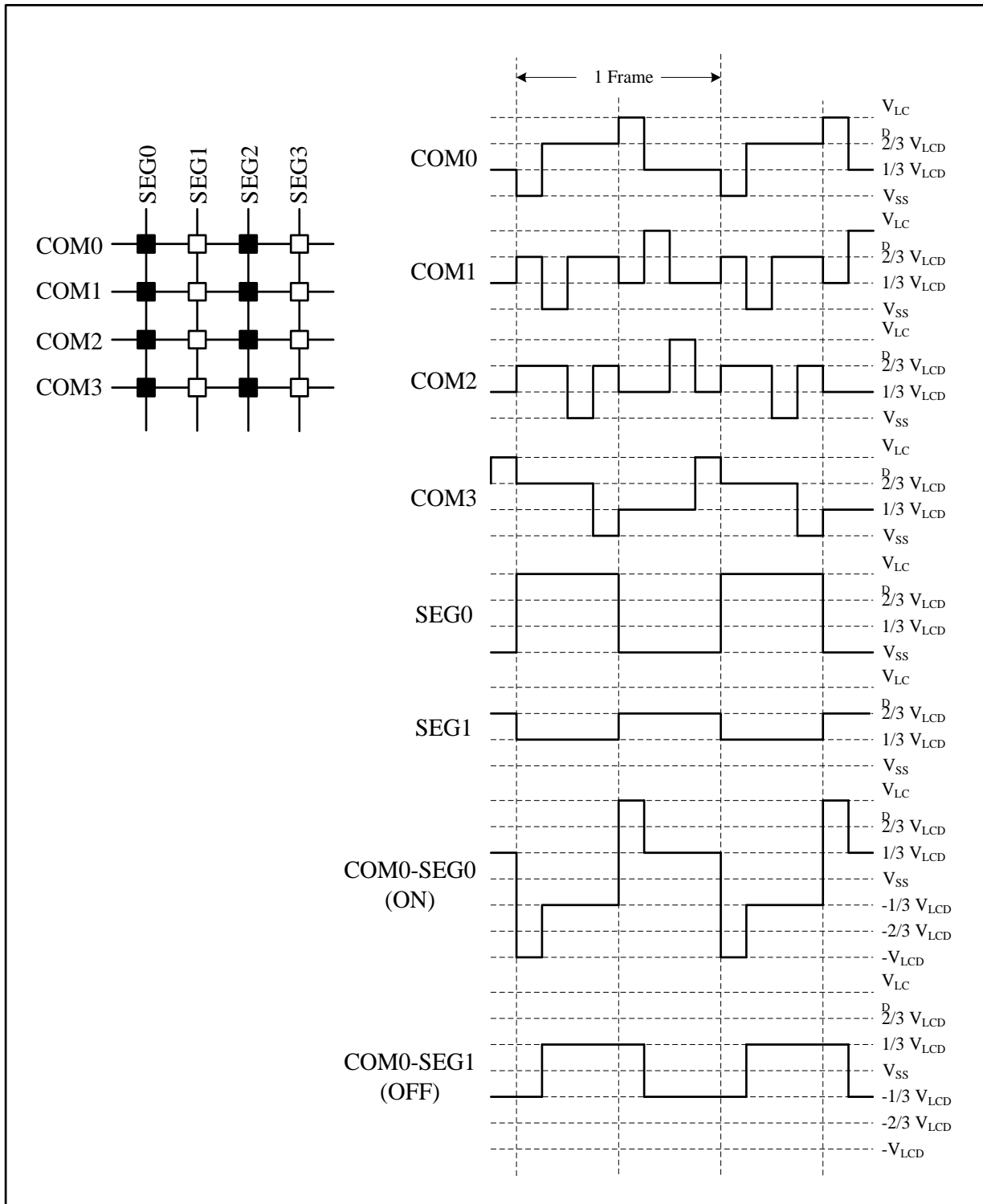
1111: VLCD = V_{BAT}

SFR 92h	Bit 7	Bit 6	Bit 5	Bit 4	Bit 3	Bit 2	Bit 1	Bit 0
PINMODE	–	P2HSEG		P2LSEG		POSEG		
R/W	–	R/W		R/W		R/W		
Reset	–	1	1	1	1	1	1	1

- 92h.6~5 **P2HSEG:** P2.4~P2.6 pin LCD mode control.
 00: P2.4~P2.6 are I/O pins
 01: P2.4 and P2.5 are I/O pins, P2.6 is LCD Segment pin
 10: P2.4 is I/O pin, P2.5 and P2.6 are LCD Segment pins
 11: P2.4~P2.6 are LCD Segment pins
- 92h.4~3 **P2LSEG:** P2.1~P2.3 pin LCD mode control.
 00: P2.1~P2.3 are I/O pins
 01: P2.1 and P2.2 are I/O pins, P2.3 is LCD Segment pin
 10: P2.1 is I/O pin, P2.2 and P2.3 are LCD Segment pins
 11: P2.1~P2.3 are LCD Segment pins
- 92h.2~0 **P0SEG:** Port0 LCD mode control.
 000: P0.0~P0.6 are I/O pins
 001: P0.0~P0.5 are I/O pins, P0.6 is LCD Segment pin
 010: P0.0~P0.4 are I/O pins, P0.5~P0.6 are LCD Segment pins
 011: P0.0~P0.3 are I/O pins, P0.4~P0.6 are LCD Segment pins
 100: P0.0~P0.2 are I/O pins, P0.3~P0.6 are LCD Segment pins
 101: P0.0~P0.1 are I/O pins, P0.2~P0.6 are LCD Segment pins
 110: P0.0 is I/O pin, P0.1~P0.6 are LCD Segment pins
 111: P0.0~P0.6 are LCD Segment pins

	COM7	COM6	COM5	COM4	COM3	COM2	COM1	COM0
Adr	bit7	bit6	bit5	bit4	bit3	bit2	bit1	bit0
F000					SEG0	SEG0	SEG0	SEG0
F001				SEG1	SEG1	SEG1	SEG1	SEG1
F002			SEG2	SEG2	SEG2	SEG2	SEG2	SEG2
F003		SEG3	SEG3	SEG3	SEG3	SEG3	SEG3	SEG3
F004	SEG4	SEG4	SEG4	SEG4	SEG4	SEG4	SEG4	SEG4
F005	SEG5	SEG5	SEG5	SEG5	SEG5	SEG5	SEG5	SEG5
F006	SEG6	SEG6	SEG6	SEG6	SEG6	SEG6	SEG6	SEG6
F007	SEG7	SEG7	SEG7	SEG7	SEG7	SEG7	SEG7	SEG7
F008	SEG8	SEG8	SEG8	SEG8	SEG8	SEG8	SEG8	SEG8
F009	SEG9	SEG9	SEG9	SEG9	SEG9	SEG9	SEG9	SEG9
F00A	SEG10	SEG10	SEG10	SEG10	SEG10	SEG10	SEG10	SEG10
F00B	SEG11	SEG11	SEG11	SEG11	SEG11	SEG11	SEG11	SEG11
F00C	SEG12	SEG12	SEG12	SEG12	SEG12	SEG12	SEG12	SEG12
F00D	SEG13	SEG13	SEG13	SEG13	SEG13	SEG13	SEG13	SEG13
F00E	SEG14	SEG14	SEG14	SEG14	SEG14	SEG14	SEG14	SEG14
F00F	SEG15	SEG15	SEG15	SEG15	SEG15	SEG15	SEG15	SEG15
F010	SEG16	SEG16	SEG16	SEG16	SEG16	SEG16	SEG16	SEG16
F011	SEG17	SEG17	SEG17	SEG17	SEG17	SEG17	SEG17	SEG17
F012	SEG18	SEG18	SEG18	SEG18	SEG18	SEG18	SEG18	SEG18
F013	SEG19	SEG19	SEG19	SEG19	SEG19	SEG19	SEG19	SEG19
F014	SEG20	SEG20	SEG20	SEG20	SEG20	SEG20	SEG20	SEG20
F015	SEG21	SEG21	SEG21	SEG21	SEG21	SEG21	SEG21	SEG21
F016	SEG22	SEG22	SEG22	SEG22	SEG22	SEG22	SEG22	SEG22
F017	SEG23	SEG23	SEG23	SEG23	SEG23	SEG23	SEG23	SEG23
F018	SEG24	SEG24	SEG24	SEG24	SEG24	SEG24	SEG24	SEG24
F019	SEG25	SEG25	SEG25	SEG25	SEG25	SEG25	SEG25	SEG25
F01A	SEG26	SEG26	SEG26	SEG26	SEG26	SEG26	SEG26	SEG26

LCD RAM Mapping (8051's External Data Memory space)



LCD Waveform, 1/3 Bias, 1/4 Duty, ($V_{LCD}=3*V_{L1}$)

12. LED Driver

If the LED mode option LEDMODE (B2h.5) is set, the device will switch the LCD driver to the LED driver. The device provides 10 Segment pins (SEG0~SEG9) and 4 Common pins (COM0~COM3) to drive a LED module with 40 pixels. For LED application, the COM pin is designated as active low with dead time control. Each COM pin can sink 40mA current when $V_{BAT}=3V$. The Segment pin can be defined as active high or active low by LEDPL SFR. The LED and LCD module share the same LCD RAM and several common SFR as below.

All SEG pins support DC output. In such application, user fills the LCDRAM SEG bit with same data. For example, write 0xF001 with 0x00 for SEG1's low level output; write 0xF009 with 0xFF for SEG9's high level output.

SFR B1h	Bit 7	Bit 6	Bit 5	Bit 4	Bit 3	Bit 2	Bit 1	Bit 0
LCON	DSPON	LCDUTY			LCDCLK		LCDFMR	
R/W	R/W	R/W			R/W		R/W	
Reset	0	0	0	1	0	0	1	0

B1h.7 **DSPON**: LCD / LED display enable control

0: LCD / LED disable

1: LCD / LED enable

B1h.6~4 **LCDUTY**: LCD / LED duty control

000: 1/3 duty

001: 1/4 duty

B1h.3~2 **LCDCLK**: LCD / LED clock source

00: SLOWCLK

01: SLOWCLK/2

10: FSUBCLK/128

11: FSUBCLK/256

B1h.1~0 **LCDFMR**: LCD / LED Frame rate control. If SXT is the LCD clock source, the accurate LCD frame rate is listed in the table above. If others clock is the LCD clock source, the Frame rate can be derived by the clock frequency proportional to 32KHz.

SFR B2h	Bit 7	Bit 6	Bit 5	Bit 4	Bit 3	Bit 2	Bit 1	Bit 0
LCON2	–	–	LEDMODE	LEDPL	LCDBV			
R/W	–	–	R/W	R/W	R/W			
Reset	–	–	0	1	0	0	0	1

B2h.5 **LEDMODE**: LCD / LED mode select for COM and SEG pins

0: LCD mode

1: LED mode

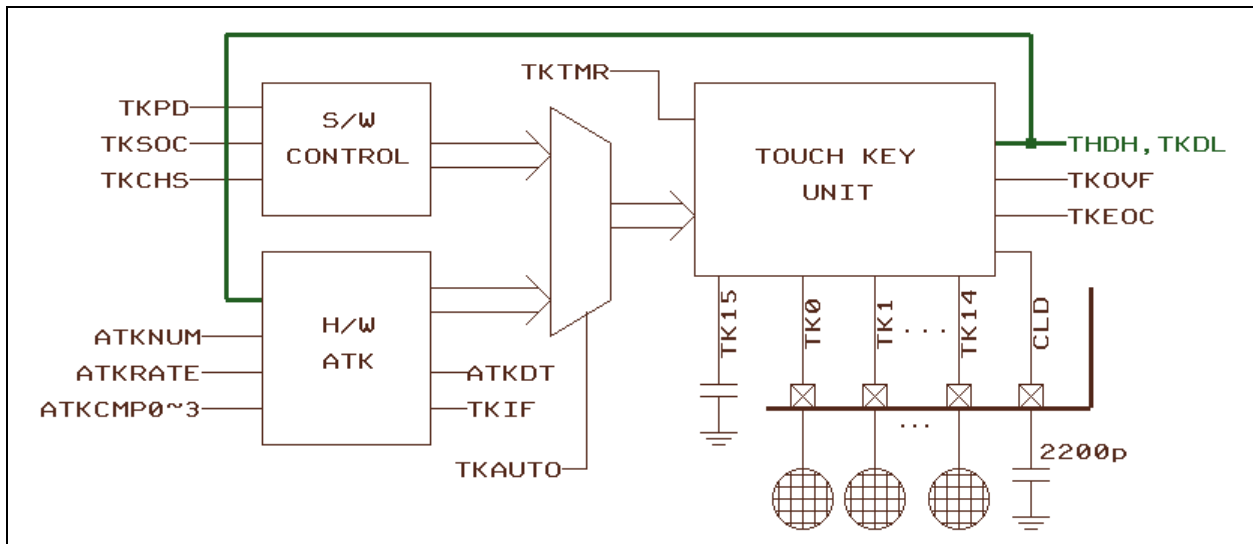
B2h.4 **LEDPL**: LED Polarity

0: LED Segment Active Low

1: LED Segment Active High

13. Touch Key (F2280/80B only)

The Touch Key offers an easy, simple and reliable method to implement finger touch detection. During the key scan operation, it only requires an external capacitor component on CLD pin. The device support 15 channels touch key detection with S/W manual mode and H/W Auto Mode (ATK). Only one mode can be active at a time.



Touch Key Structure

To use the Touch Key, user must setup the Pin Mode (*see Section 7*) correctly as below table. Setting Mode0 for a Touch Key pin can pull up the pin during idling and reduce the mutual interference between the adjacent keys. While a TK pin is under scanning, either being in S/W manual mode or H/W ATK mode, the Touch Key module automatically disable the pin's pull-up resistor.

P1MODx / P3MODx setting for Touch Key	TK0~TK3	TK4~TK14	CLD
Pin is Touch Key, Idling	Mode0	Mode0	Mode3
Pin is Touch Key, S/W Scanning	Mode0	Mode0	Mode3
Pin is Touch Key, H/W Auto Scan (ATK)	Mode0	–	Mode3

S/W Manual Mode Touch Key Detection

All Touch Key (TK0~TK14) can be used for S/W manual mode. To start a S/W scan mode, user assigns TKAUTO=0 and TKPD=0, then set the TKSOC bit to start touch key conversion, the TKSOC bit can be automatically cleared while end of conversion. However, if the SYSCLK is too slow, H/W might fail to clear TKSOC due to clock sampling rate. TKEOC=0 means conversion is in process. TKEOC=1 means the conversion is finish, and the touch key counting result is stored into the 10 bits TK Data Counter TKDH and TKDL. The larger TK pin capacitance is, the smaller TK data counter is. After TKEOC=1, user must wait at least 10 us for next conversion. If TKOVF=1, means the conversion transaction exceeds period time. Reduce/Increase TKTMR can reduce/increase TK Data Count to adapt the system board circumstances.

The Touch Key unit has an internal built-in reference capacitor to simulate the KEY behavior. Set TKCHS=15 and start the S/W scan mode can get the TK Data Count of this capacitor. Since the internal capacitor would not be affected by water or mobile phone, it is useful for comparing the environment background noise.

H/W Auto Touch Key Detection (ATK)

Only TK0~TK3 are eligible for H/W auto mode. This function can work in Fast/Slow/Idle mode and save the S/W effort as well as minimize the chip current consumption. To use this function, user need to set TKAUTO=1 to enable H/W fully control the TK unit. H/W then automatically detects the TK0~TK3's TK Data Count at every 62ms or 125ms rate. If a Key's TK Data Count is less than the pre-set compare threshold (ATKCOMP0~3), H/W generates interrupt and wake up CPU. User can switch the TK module back to S/W Manual Mode after the TK interrupt and identify/confirm the Key touch event.

SFR ADh	Bit 7	Bit 6	Bit 5	Bit 4	Bit 3	Bit 2	Bit 1	Bit 0
TKCON	TKPD	TKTMR			TKCHS			
R/W	R/W	R/W			R/W			
Reset	1	1	0	0	1	1	1	1

ADh.7 **TKPD:** Touch Key Power Down (for S/W mode)

- 0: Touch Key enable
- 1: Touch Key disable

ADh.6~4 **TKTMR:** Touch Key Conversion Time (for both S/W and H/W ATK mode)

- 000: Conversion time shortest
- ...
- 111: Conversion time longest

ADh.3~0 **TKCHS:** Touch Key Channel Select (for S/W Mode)

- 0000: TK0 (P1.7)
- 0001: TK1 (P1.6)
- 0010: TK2 (P1.5)
- 0011: TK3 (P1.4)
- 0100: TK4 (P1.3)
- 0101: TK5 (P1.2)
- 0110: TK6 (P1.1)
- 0111: TK7 (P1.0)
- 1000: TK8 (P3.7)
- 1001: TK9 (P3.6)
- 1010: TK10 (P3.5)
- 1011: TK11 (P3.3)
- 1100: TK12 (P3.2)
- 1101: TK13 (P3.1)
- 1110: TK14 (P3.0)
- 1111: Internal Reference Capacitor

SFR F8h	Bit 7	Bit 6	Bit 5	Bit 4	Bit 3	Bit 2	Bit 1	Bit 0
AUX1	–	–	–	TKSOC	CLRWDT	CLRTM3	STPRFC	DPSEL
R/W	–	–	–	R/W	R/W	R/W	R/W	R/W
Reset	–	–	–	0	0	0	0	0

F8h.4 **TKSOC:** Rising edge of this bit will trigger a Touch Key conversion (for S/W Mode). Basically, this bit is automatically cleared by H/W after end of conversion. However, if the SYSCLK is too slow, H/W might fail to clear TKSOC due to clock sampling rate issue.

SFR ABh	Bit 7	Bit 6	Bit 5	Bit 4	Bit 3	Bit 2	Bit 1	Bit 0
ATKDT	TKEOC	TKOVF	TKDH		ATKDT			
R/W	R	R	R		R			
Reset	–	–	–	–	–	–	–	–

- ABh.7 **TKEOC**: Touch Key End of Conversion (for S/W Mode)
 ABh.6 **TKOVF**: Touch Key Counter Overflow (for S/W Mode)
 ABh.5~4 **TKDH**: Touch Key Counter Data 9~8 (for S/W Mode)
 ABh.3~0 **ATKDT**: Touch Key Auto Scan Result (for H/W ATK Mode)
 xxx1: TK0 has a Touch event
 xx1x: TK1 has a Touch event
 x1xx: TK2 has a Touch event
 1xxx: TK3 has a Touch event

SFR ACh	Bit 7	Bit 6	Bit 5	Bit 4	Bit 3	Bit 2	Bit 1	Bit 0
TKDL	TKDL							
R/W	R							
Reset	–	–	–	–	–	–	–	–

- ACh.7~0 **TKDL**: Touch Key Counter Data 7~0 (for S/W Mode)

SFR AEh	Bit 7	Bit 6	Bit 5	Bit 4	Bit 3	Bit 2	Bit 1	Bit 0
TKCON2	–	–	–	–	TKAUTO	ATKRATE	ATKNUM	
R/W	–	–	–	–	R/W	R/W	R/W	
Reset	–	–	–	–	0	0	1	1

- AEh.3 **TKAUTO**: Touch Key Auto Scan Mode Enable
 0: S/W Mode
 1: H/W ATK Mode
 AEh.2 **ATKRATE**: Touch Key Scan Rate (for H/W ATK Mode)
 0: ATK scan rate is 4096 Slow clock cycles (125ms if Slow clock is SXT)
 1: ATK scan rate is 2048 Slow clock cycles (62ms if Slow clock is SXT)
 AEh.1~0 **ATKNUM**: Touch Key Auto Scan Channel Number (for H/W ATK Mode)
 00: ATK only detect TK0
 01: ATK detect TK0 and TK1
 10: ATK detect TK0~TK2
 11: ATK detect TK0~TK3

SFR 95h	Bit 7	Bit 6	Bit 5	Bit 4	Bit 3	Bit 2	Bit 1	Bit 0
INTFLG	–	–	–	–	TKIF	IE2	P1IF	TF3
R/W	–	–	–	–	R/W	R/W	R/W	R/W
Reset	–	–	–	–	0	0	0	0

- 95h.3 **TKIF**: Touch Key Interrupt Flag (for H/W ATK Mode)
 Set by H/W when a TK channel's touch event is detected.
 It is cleared automatically when the program performs the interrupt service routine.
 S/W can write F7h to INTFLG to clear this bit. (**Note2**)

SFR C4h	Bit 7	Bit 6	Bit 5	Bit 4	Bit 3	Bit 2	Bit 1	Bit 0
ATKCOMP0	ATKCOMP0							
R/W	R/W							
Reset	0	1	0	0	0	0	0	0

- C4h.7~0 **ATKCOMP0**: Data Threshold Compared with TK0 scan (for H/W ATK Mode)

SFR C5h	Bit 7	Bit 6	Bit 5	Bit 4	Bit 3	Bit 2	Bit 1	Bit 0
ATKCMP1	ATKCMP1							
R/W	R/W							
Reset	0	1	0	0	0	0	0	0

C5h.7~0 **ATKCMP1**: Data Threshold Compared with TK1 scan (for H/W ATK Mode)

SFR C6h	Bit 7	Bit 6	Bit 5	Bit 4	Bit 3	Bit 2	Bit 1	Bit 0
ATKCMP2	ATKCMP2							
R/W	R/W							
Reset	0	1	0	0	0	0	0	0

C6h.7~0 **ATKCMP2**: Data Threshold Compared with TK2 scan (for H/W ATK Mode)

SFR C7h	Bit 7	Bit 6	Bit 5	Bit 4	Bit 3	Bit 2	Bit 1	Bit 0
ATKCMP3	ATKCMP3							
R/W	R/W							
Reset	0	1	0	0	0	0	0	0

C7h.7~0 **ATKCMP3**: Data Threshold Compared with TK3 scan (for H/W ATK Mode)

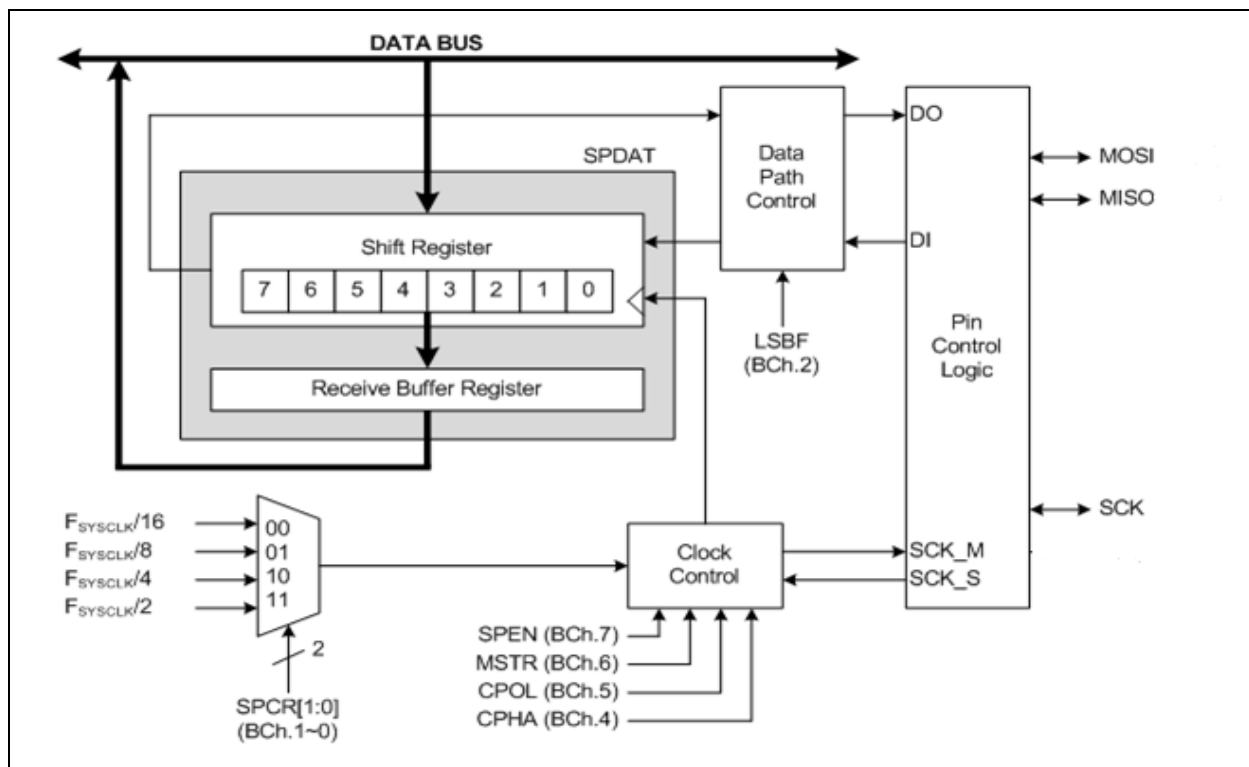
Note6: also refer to Section 6 for more information about Touch Key Interrupt enable and priority.

14. Serial Peripheral Interface (SPI)

The SPI module is capable of full-duplex, synchronous, serial communication between the **F2280/80B/84/84B** and peripheral devices. The peripheral devices can be other MCUs, A/D converter, sensors, or Flash memory, etc. The SPI runs at a baud rate up to the system clock divided by two. Firmware can read the status flags, or the operation can be interrupt driven.

The features of the SPI module include:

- Master or Slave mode operation
- 3-wire mode operation
- Full-duplex operation
- Programmable transmit bit rate
- Single Buffer receive
- Serial clock phase and polarity options
- MSB-first or LSB-first shifting selectable



SPI System Block Diagram

The MOSI (P2.4) signal is an output when SPI is operating in Master mode and an input when SPI is operating in Slave mode. The MISO (P2.6) signal is an input when SPI is operating in Master mode and an output when SPI is operating in Slave mode. Data is transferred MSB or LSB first by setting the LSBF bit. The SCK (P2.5) signal is an output from a Master device and an input to Slave devices. It is used to synchronize the data on the MOSI and MISO lines of Master and Slave. SPI generates the signal with eight programmable clock rates in Master mode.

Master Mode

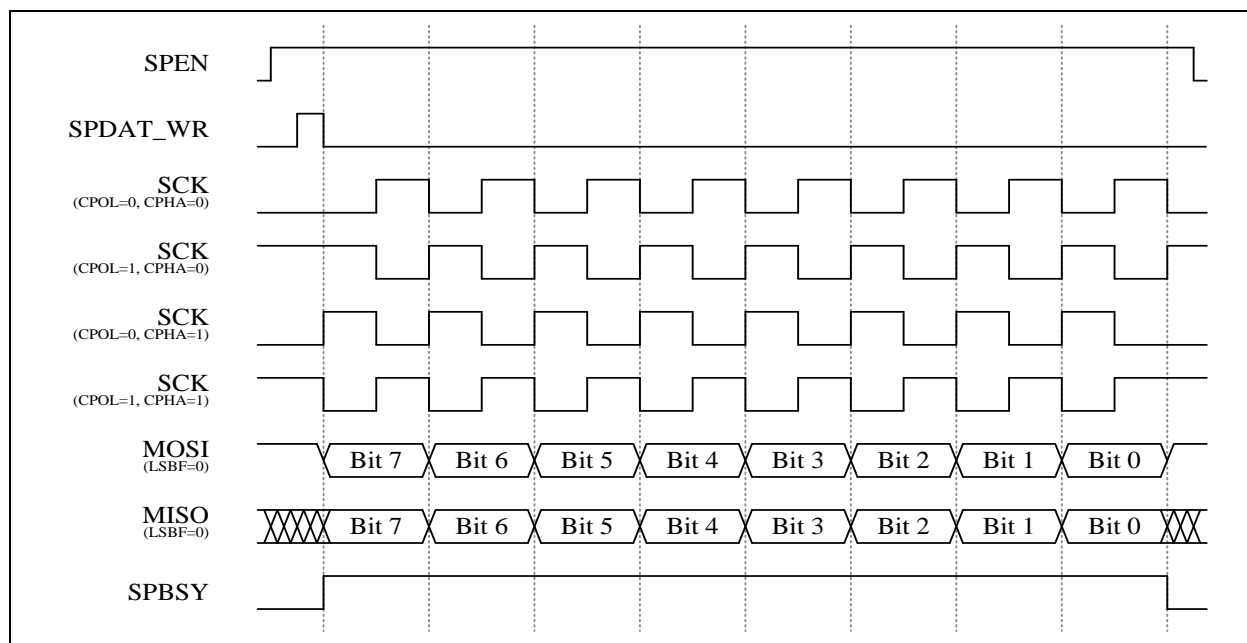
The SPI operates in Master mode by setting the MSTR bit in the SPCON. To start transmit, writing a data to the SPDAT. If SPBSY=0, the data will be transferred to the shift register and starts shift out on the MOSI line. The data of the Slave shift in from the MISO line at the same time. When the SPIF bit becomes set at the end of transfer, the receive data is written to receiver buffer and the RCVBF bit in the SPSTA is set. To prevent an overrun condition, software must read the SPDAT before next byte enters the shift register. The SPBSY bit will be set when writing a data to SPDAT to start transmit, and be cleared at the end of the eighth SCK period in Master mode.

Slave Mode

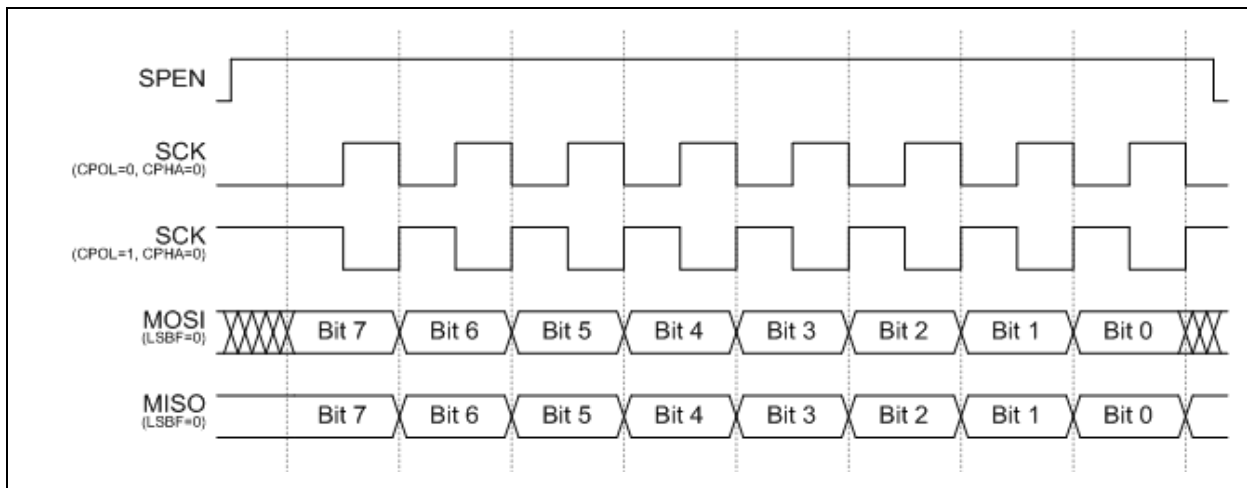
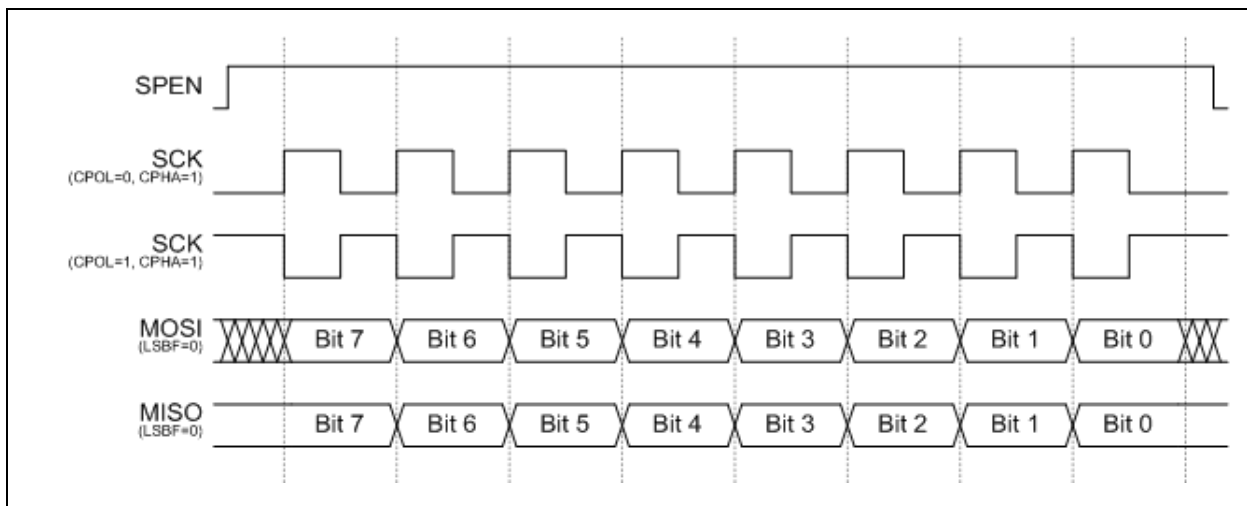
The SPI operates in Slave mode by clearing the MSTR bit in the SPCON. The transmission will start when the SPEN bit in the SPCON is set. The data from a Master will shift into the shift register through the MOSI line, and shift out from the shift register on the MISO line. When a byte enters the shift register, the data will be transferred to receiver buffer if RCVBF=0. If RCVBF=1, the newer received data will not be transferred to receiver buffer and the RCVOVF bit is set. After a byte enters the shift register, the SPIF and RCVBF bits are set. To prevent an overrun condition, software must read the SPDAT or write 0 to RCVBF before next byte enters the shift register. The maximum SCK frequency allowed in Slave mode is $F_{SYSCLK}/4$.

Serial Clock

The SPI has four clock types by setting the CPOL and CPHA bits in the SPCON register. The CPOL bit defines the level of the SCK in SPI idle state. The level of the SCK in idle state is low when CPOL=0, and is high when CPOL=1. The CPHA bit defines the edges used to sample and shift data. The SPI sample data on the first edge of SCK period and shift data on the second edge of SCK period when CPHA=0. The SPI sample data on the second edge of SCK period and shift data on first edge of SCK period when CPHA=1. Figures below show the detail timing in Master and Slave modes. Both Master and Slave devices must be configured to use the same clock type before the SPEN bit is set. The SPCR controls the Master mode serial clock frequency. This register is ignored when operating in Slave mode. The SPI clock can select System clock divided by 2, 4, 8, or 16 in Master mode.



Master Mode Timing


Slave Mode Timing (CPHA = 0)

Slave Mode Timing (CPHA = 1)

In both Master and Slave modes, the SPIF interrupt flag is set by H/W at the end of a data transfer. If write data to SPDAT when SPBSY=1, the WCOL interrupt flag will be set by H/W. When this occurs, the data write to SPDAT will be ignored, and shift register will not be written.

SFR BCh	Bit 7	Bit 6	Bit 5	Bit 4	Bit 3	Bit 2	Bit 1	Bit 0
SPCON	SPEN	MSTR	CPOL	CPHA	–	LSBF	SPCR	
R/W	R/W	R/W	R/W	R/W	–	R/W	R/W	
Reset	0	0	0	0	–	0	0	0

- BCh.7 **SPEN:** SPI Enable.
 0: SPI Disable
 1: SPI Enable, P2.4~P2.6 are SPI functional pins.
- BCh.6 **MSTR:** Master Mode Enable.
 0: Slave Mode
 1: Master Mode
- BCh.5 **CPOL:** SPI Clock Polarity
 0: SCK is low in idle state
 1: SCK is high in idle state

- BCh.4 **CPHA**: SPI Clock Phase
 0: Data sampled on first edge of SCK period
 1: Data sampled on second edge of SCK period
- BCh.2 **LSBF**: LSB First.
 0: MSB first
 1: LSB first
- BCh.1~0 **SPCR**: SPI Clock Rate.
 00: $F_{SYSCLK}/2$
 01: $F_{SYSCLK}/4$
 10: $F_{SYSCLK}/8$
 11: $F_{SYSCLK}/16$

SFR BDh	Bit 7	Bit 6	Bit 5	Bit 4	Bit 3	Bit 2	Bit 1	Bit 0
SPSTA	SPIF	WCOL	–	RCVOVF	RCVBF	SPBSY	–	–
R/W	R/W	R/W	–	R/W	R/W	R	–	–
Reset	0	0	–	0	0	–	–	–

- BDh.7 **SPIF**: SPI Interrupt Flag
 Set by H/W at the end of a data transfer. Cleared by H/W when interrupt is vectored into. Write 0 to this bit will clear this flag.
- BDh.6 **WCOL**: Write Collision Interrupt Flag
 Set by H/W if write data to SPDAT when SPBSY=1. Write 0 to this bit or rewrite data to SPDAT when SPBSY=0 will clear this flag.
- BDh.4 **RCVOVF**: Receive Buffer Overrun Flag
 Set by H/W at the end of a data transfer and RCVBF=1. Write 0 to this bit or read SPDAT register will clear this flag.
- BDh.3 **RCVBF**: Receive Buffer Full Flag
 Set by H/W at the end of a data transfer. Write 0 to this bit or read SPDAT register will clear this flag.
- BDh.2 **SPBSY**: SPI Busy Flag (Read Only)
 Set by H/W when a SPI transfer is in progress.

SFR BEh	Bit 7	Bit 6	Bit 5	Bit 4	Bit 3	Bit 2	Bit 1	Bit 0
SPDAT	SPDAT							
R/W	R/W							
Reset	0	0	0	0	0	0	0	0

- BEh.7~0 **SPDAT**: SPI Transmit and Receive Data
 The SPDAT register is used to transmit and receive data. Writing data to SPDAT place the data into shift register and start a transfer when in Master mode. Reading SPDAT returns the contents of the receive buffer.

Note6: also refer to Section 6 for more information about SPI Interrupt enable and priority.

Note7: also refer to Section 7 for more information about SPI pins share with I/O pins

15. 6-bit SAR ADC

The 6-bit SAR ADC supports 7 channel analog inputs. To use the ADC, user only needs to select the ADC channel by setting ADCHS SFR. If ADCHS=0, The ADC stop converting and enters the power down mode. The ADC module uses 10 System clock cycles to make a conversion and launches next conversion immediately after the ADC convert result data latched. Lower System clock frequency may get more stable ADC performance. The ADC channel requires Mode3 pin setting to disable the pin's digital input path for power saving. User should not configure ADC and Touch Key channel on the same pin because of the channel input sensitivity issue.

SFR C2h	Bit 7	Bit 6	Bit 5	Bit 4	Bit 3	Bit 2	Bit 1	Bit 0
BGADCS	LVR2E	ADCHS			CMPVS			
R/W	R/W	R/W			R/W			
Reset	0	0	0	0	0	0	0	0

C2h.6~4 **ADCHS**: ADC channel select

- 000: ADC disable
- 001: AD1 (P1.1)
- 010: AD2 (P1.2)
- 011: AD3 (P1.3)
- 100: AD4 (P1.4)
- 101: AD5 (P1.5)
- 110: AD6 (P1.6)
- 111: AD7 (P1.7)

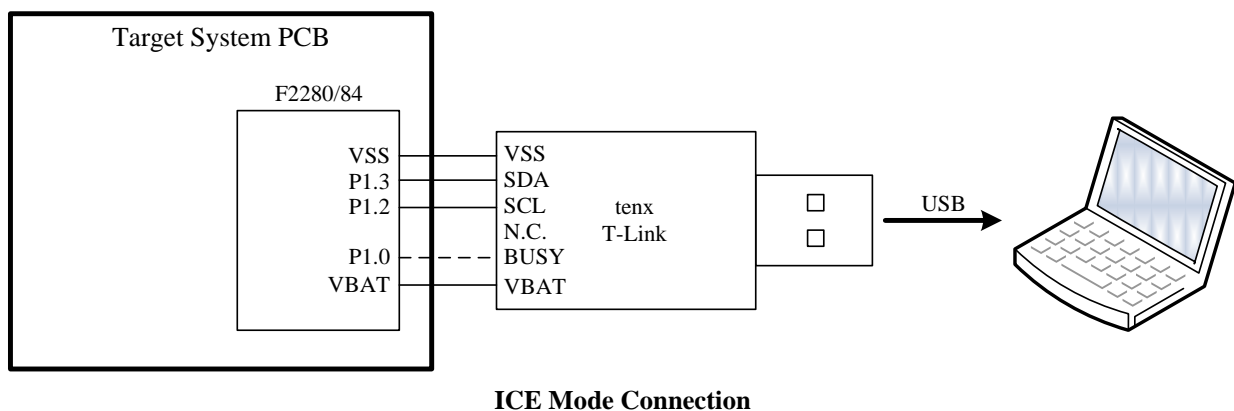
SFR C3h	Bit 7	Bit 6	Bit 5	Bit 4	Bit 3	Bit 2	Bit 1	Bit 0
BGADCD	CMPO	–	ADCDT					
R/W	R	–	R					
Reset	–	–	–	–	–	–	–	–

C3h.5~0 **ADCDT**: ADC convert data result

16. In Circuit Emulation (ICE) Mode

The **F2280/80B/84/84B** can support the In Circuit Emulation mode. To use the ICE Mode, user just needs to connect P1.2 and P1.3 pin to the tenx proprietary EV module. The benefit is that user can emulate the whole system without changing the on board target device. But there are some limits for the ICE mode as below.

1. The device must be un-protect.
2. The device's P1.2 and P1.3 pins must work in input Mode (P1MOD2=0/1 and P1MOD3=0/1).
3. During Program Code download, P1.0 sent acknowledge signal to T-Link unit. After download stage, P1.0 can be emulated as any other pins.
4. The Program ROM's addressing space D00h~FFFh and 0033h~003Ah are occupied by tenx EV Module. So user Program cannot access these spaces.
5. The P1.2 and P1.3 pin's function cannot be emulated.
6. The V_{DD} level and VCON SFR are controlled by T-Link module.



SFR & CFGW MAP

Adr	RST	NAME	Bit 7	Bit 6	Bit 5	Bit 4	Bit 3	Bit 2	Bit 1	Bit 0
80h	1111-1111	P0	P0.7	P0.6	P0.5	P0.4	P0.3	P0.2	P0.1	P0.0
81h	0000-0111	SP	SP							
82h	0000-0000	DPL	DPL							
83h	0000-0000	DPH	DPH							
87h	0xxx-0000	PCON	SMOD	-	-	-	GF1	GF0	PD	IDL
88h	0000-0000	TCON	TF1	TR1	TF0	TR0	IE1	IT1	IE0	IT0
89h	0000-0000	TMOD	GATE1	CT1N	TMOD1		GATE0	CT0N	TMOD0	
8Ah	0000-0000	TL0	TL0							
8Bh	0000-0000	TL1	TL1							
8Ch	0000-0000	TH0	TH0							
8Dh	0000-0000	TH1	TH1							
90h	1111-1111	P1	P1.7	P1.6	P1.5	P1.4	P1.3	P1.2	P1.1	P1.0
91h	0000-0000	POOE	POOE							
92h	x111-1111	PINMODE	-	P2HSEG		P2LSEG		P0SEG		
93h	x000-0000	P2OE	-	P2OE						
94h	1100-0001	OPTION	SXTGAIN		STPPCK	PWRFLT	UART1W	WDTpsc	TM3PSC	
95h	xxxx-0000	INTFLG	-	-	-	-	TKIF	IE2	P1IF	TF3
96h	0000-0000	P1WKUP	P1WKUP							
97h	xxxx-xxx0	SWCMD	IAPALL / SWRST							
98h	0000-0000	SCON	SM0	SM1	SM2	REN	TB8	RB8	TI	RI
99h	xxxx-xxxx	SBUF	SBUF							
A0h	1111-1111	P2	P2.7	P2.6	P2.5	P2.4	P2.3	P2.2	P2.1	P2.0
A2h	0000-0000	P1MODL	P1MOD3		P1MOD2		P1MOD1		P1MOD0	
A3h	0000-0000	P1MODH	P1MOD7		P1MOD6		P1MOD5		P1MOD4	
A4h	1111-1111	P3MODL	P3MOD3		P3MOD2		P3MOD1		P3MOD0	
A5h	0000-0000	P3MODH	P3MOD7		P3MOD6		P3MOD5		P3MOD4	
A6h	0000-0000	TOCON	T1OCON		T2OCON			TCOCON		
A7h	x111-1111	VCON	-	LDOE	VSET2			VSET1		
A8h	0x00-0000	IE	EA	-	ET2	ES	ET1	EX1	ET0	EX0
A9h	0000-0000	INTE1	IAPWE			SPIE	TKIE	EX2	P1IE	TM3IE
ABh	xxxx-xxxx	ATKDT	TKEOC	TKOVF	TKDH		ATKDT			
ACH	xxxx-xxxx	TKDL	TKDL							
ADh	1100-1111	TKCON	TKPD	TKTMR			TKCHS			
Aeh	xxxx-0011	TKCON2	-	-	-	-	TKAUTO	ATKRATE	ATKNUM	
AFh	0000-1100	RFCON	PORFC		T0SEL		RFCPSC		RFCS	
B0h	1111-1111	P3	P3.7	P3.6	P3.5	P3.4	P3.3	P3.2	P3.1	P3.0
B1h	0001-0010	LCON	DSPON	LCDUTY			LCDCLK		LCDFMR	
B2h	xx01-0001	LCON2	-	-	LEDMODE	LEDPL	LCDBV			
B3h	xxxx-xxxx	TM3SEC	TM3SEC							
B4h	xxxx-xxxx	TM3DL	TM3DL							
B5h	xxxx-xxxx	TM3DH	-	TM3DH						
B6h	0000-0000	TM3RLD	TM3RLD							
B7h	0000-0000	TM3ADJ	TM3ADJS	TM3ADJ						
B8h	xx00-0000	IP	-	-	PT2	PS	PT1	PX1	PT0	PX0
B9h	xx00-0000	IPH	-	-	PT2H	PSH	PT1H	PX1H	PT0H	PX0H
BAh	xxx0-0000	IP1	-	-	-	PSPI	PTKI	PX2	PP1	PT3

Adr	RST	NAME	Bit 7	Bit 6	Bit 5	Bit 4	Bit 3	Bit 2	Bit 1	Bit 0
BBh	xxx0-0000	IP1H	–	–	–	PSPIH	PTKIH	PX2H	PP1H	PT3H
BCh	0000-x000	SPCON	SPEN	MSTR	CPOL	CPHA	–	LSBF	SPCR	
BDh	00x0-0xxx	SPSTA	SPIF	WCOL	–	RCVOVF	RCVBF	SPBSY	–	–
BEh	0000-0000	SPDAT	SPDAT							
C2h	0000-0000	BGADCS	LVR2E	ADCHS			CMPVS			
C3h	xxxx-xxxx	BGACD	CMPO	–	ADCDT					
C4h	0100-0000	ATKCMP0	ATKCMP0							
C5h	0100-0000	ATKCMP1	ATKCMP1							
C6h	0100-0000	ATKCMP2	ATKCMP2							
C7h	0100-0000	ATKCMP3	ATKCMP3							
C8h	0000-0000	T2CON	TF2	EXF2	RCLK	TCLK	EXEN2	TR2	CT2N	CPRL2N
CAh	0000-0000	RCP2L	RCP2L							
CBh	0000-0000	RCP2H	RCP2H							
CCh	0000-0000	TL2	TL2							
CDh	0000-0000	TH2	TH2							
D0h	0000-0000	PSW	CY	AC	F0	RS1	RS0	OV	F1	P
D8h	0000-0101	CLKCON	FCKTYPE	FSUBSEL	SELFCK	SCKTYPE	STPFSSUB	CLKPSC		
E0h	0000-0000	ACC	ACC.7	ACC.6	ACC.5	ACC.4	ACC.3	ACC.2	ACC.1	ACC.0
F0h	0000-0000	B	B.7	B.6	B.5	B.4	B.3	B.2	B.1	B.0
F7h	xxxx-xxxx	CFGWL	–	–	–	FRCF				
F8h	xxx0-0000	AUX1	–	–	–	TKSOC	CLRWDT	CLRTM3	STPRFC	DPSEL

Flash Address	NAME	Bit 7	Bit 6	Bit 5	Bit 4	Bit 3	Bit 2	Bit 1	Bit 0	
1FFEh	CFGWL	–	–	–	FRCF					
1FFFh	CFGWH	PROT	XRSTE	MVCLOCK	WDTE	–	–	LVR1E	–	

SFR & CFGW DESCRIPTION

Adr	SFR	Bit#	Bit Name	R/W	Rst	Description
80h	P0	7~0	P0	R/W	FFh	Port0 data, also controls the P0.n pin's pull-up function. If the P0.n SFR data is "1" and the corresponding P0OE.n=0 (input mode), the pull-up is enabled.
81h	SP	7~0	SP	R/W	07h	Stack Point
82h	DPL	7~0	DPL	R/W	00h	Data Point low byte
83h	DPH	7~0	DPH	R/W	00h	Data Point high byte
87h	PCON	7	SMOD	R/W	0	Set 1 to enable UART double baud rate
		3	GF1	R/W	0	General purpose flag bit
		2	GF0	R/W	0	General purpose flag bit
		1	PD	R/W	0	Power down control bit, set 1 to enter STOP mode
		0	IDL	R/W	0	Idle control bit, set 1 to enter IDLE mode
88h	TCON	7	TF1	R/W	0	Timer1 overflow flag Set by H/W when Timer/Counter 1 overflows. Cleared by H/W when CPU vectors into the interrupt service routine.
		6	TR1	R/W	0	Timer1 run control. 1: timer runs; 0: timer stops
		5	TF0	R/W	0	Timer0 overflow flag Set by H/W when Timer/Counter 0 overflows. Cleared by H/W when CPU vectors into the interrupt service routine.
		4	TR0	R/W	0	Timer0 run control. 1:timer runs; 0:timer stops
		3	IE1	R/W	0	External Interrupt 1 (INT1 pin) edge flag Set by H/W when an INT1 pin falling edge is detected. Cleared by H/W when CPU vectors into the interrupt service routine.
		2	IT1	R/W	0	External Interrupt 1 control bit 0: Low level active (level triggered) for INT1 pin 1: Falling edge active (edge triggered) for INT1 pin
		1	IE0	R/W	0	External Interrupt 0 (INT0 pin) edge flag Set by H/W when an INT0 pin falling edge is detected. Cleared by H/W when CPU vectors into the interrupt service routine.
0	IT0	R/W	0	External Interrupt 0 control bit 0: Low level active (level triggered) for INT0 pin 1: Falling edge active (edge triggered) for INT0 pin		
89h	TMOD	7	GATE1	R/W	0	Timer1 gating control bit 0: Timer1 enable when TR1 bit is set 1: Timer1 enable only while the INT1 pin is high and TR1 bit is set
		6	CT1N	R/W	0	Timer1 Counter/Timer select bit 0: Timer mode, Timer1 data increases at 2 System clock cycle rate 1: Counter mode, Timer1 data increases at T1 pin's negative edge
		5~4	TMOD1	R/W	00	Timer1 mode select 00: 8-bit timer/counter (TH1) and 5-bit prescaler (TL1) 01: 16-bit timer/counter 10: 8-bit auto-reload timer/counter (TL1). Reloaded from TH1 at overflow. 11: Timer1 stops
		3	GATE0	R/W	0	Timer0 gating control bit 0: Timer0 enable when TR0 bit is set 1: Timer0 enable only while the INT0 pin is high and TR0 bit is set
		2	CT0N	R/W	0	Timer0 Counter/Timer select bit 0: Timer mode, Timer0 data increases at 2 System clock cycle rate 1: Counter mode, Timer0 data increases at T0 pin's negative edge
		1~0	TMOD0	R/W	00	Timer0 mode select 00: 8-bit timer/counter (TH0) and 5-bit prescaler (TL0) 01: 16-bit timer/counter 10: 8-bit auto-reload timer/counter (TL0). Reloaded from TH0 at overflow. 11: TL0 is an 8-bit timer/counter. TH0 is an 8-bit timer/counter using Timer1's TR1 and TF1 bits.
8Ah	TL0	7~0	TL0	R/W	00h	Timer0 data low byte
8Bh	TL1	7~0	TL1	R/W	00h	Timer1 data low byte
8Ch	TH0	7~0	TH0	R/W	00h	Timer0 data high byte
8Dh	TH1	7~0	TH1	R/W	00h	Timer1 data high byte

Adr	SFR	Bit#	Bit Name	R/W	Rst	Description
90h	P1	7~0	P1	R/W	FFh	Port1 data
91h	P0OE	7~0	P0OE	R/W	00h	Port0 CMOS Push-Pull output enable control, 1=Enable.
92h	PINMODE	6~5	P2HSEG	R/W	11	P2.4~P2.6 pin LCD mode control. 00: P2.4~P2.6 are I/O pins 01: P2.4 and P2.5 are I/O pins, P2.6 is LCD Segment pin 10: P2.4 is I/O pin, P2.5 and P2.6 are LCD Segment pins 11: P2.4~P2.6 are LCD Segment pins
		4~3	P2LSEG	R/W	11	P2.1~P2.3 pin LCD mode control. 00: P2.1~P2.3 are I/O pins 01: P2.1 and P2.2 are I/O pins, P2.3 is LCD Segment pin 10: P2.1 is I/O pin, P2.2 and P2.3 are LCD Segment pins 11: P2.1~P2.3 are LCD Segment pins
		2~0	P0SEG	R/W	111	Port0 LCD mode control. 000: P0.0~P0.6 are I/O pins 001: P0.0~P0.5 are I/O pins, P0.6 is LCD Segment pin 010: P0.0~P0.4 are I/O pins, P0.5~P0.6 are LCD Segment pins 011: P0.0~P0.3 are I/O pins, P0.4~P0.6 are LCD Segment pins 100: P0.0~P0.2 are I/O pins, P0.3~P0.6 are LCD Segment pins 101: P0.0~P0.1 are I/O pins, P0.2~P0.6 are LCD Segment pins 110: P0.0 is I/O pin, P0.1~P0.6 are LCD Segment pins 111: P0.0~P0.6 are LCD Segment pins
93h	P2OE	6~0	P2OE	R/W	00h	P2.6~P2.0 pin CMOS Push-Pull output enable control, 1=Enable.
94h	OPTION	7~6	SXTGAIN	R/W	11	SXT oscillator gain 0=Lowest gain, 3=Highest Gain
		5	STPPCK	R/W	0	Set 1 to stop UART/Timer0/1/2 clock in Idle mode for current reducing.
		4	PWRFLT	R/W	0	Set 1 to enhance the chip's power noise immunity
		3	UART1W	R/W	0	Set 1 to enable one wire UART mode, both TXD/RXD use P3.1 pin.
		2	WDTPSC	R/W	0	WDT Prescaler 0: WDT overflow at 65536 System clock count 1: WDT overflow at 32768 System clock count
		1~0	TM3PSC	R/W	01	Timer3 Interrupt rate 00: Timer3 interrupt occurs when 23 bit count data overflow 01: Timer3 interrupt rate is 32768 Slow clock cycles (1.0 second for SXT) 10: Timer3 interrupt rate is 16384 Slow clock cycles (0.5 second for SXT) 11: Timer3 interrupt rate is 8192 Slow clock cycles (0.25 second for SXT)
95h	INTFLG	3	TKIF	R/W	0	Touch Key Interrupt Flag (for H/W ATK Mode) Set by H/W when a TK channel's touch event is detected. It is cleared automatically when the program performs the interrupt service routine. S/W can write F7h to INTFLG to clear this bit.
		2	IE2	R/W	0	External Interrupt 2 (INT2 pin) edge flag Set by H/W when a falling edge is detected on the INT2 pin, no matter the EX2 is 0 or 1. It is cleared automatically when the program performs the interrupt service routine. S/W can write FBh to INTFLG to clear this bit.
		1	P1IF	R/W	0	Port1 pin change Interrupt flag Set by H/W when a Port1 pin state change is detected and its interrupt enable bit is set (P1WKUP). P1IE does not affect this flag's setting. It is cleared automatically when the program performs the interrupt service routine. S/W can write FDh to INTFLG to clear this bit.
		0	TF3	R/W	0	Timer3 Interrupt Flag Set by H/W when Timer3 reaches TM3PSC setting cycles. It is cleared automatically when the program performs the interrupt service routine. S/W can write FEh to INTFLG to clear this bit.
96h	P1WKUP	7~0	P1WKUP	R/W	00h	P1.7~P1.0 pin individual Wake-up / Interrupt enable control 0: Disable; 1: Enable.
97h	SWCMD	7~0	SWRST	W	-	Write 56h to generate S/W Reset
		7~0	IAPALL	W	-	Write 65h to set IAPALL flag; Write other value to clear IAPALL flag. It is recommended to clear it immediately after IAP access.
		0	IAPALL	R	0	Flag indicates whole Flash can be access by IAP or not

Adr	SFR	Bit#	Bit Name	R/W	Rst	Description
98h	SCON	7	SM0	R/W	0	Serial port mode select bit 0, 1 (SM0, SM1)= 00: Mode0: 8 bit shift register, Baud Rate = $F_{SYSCLK} / 2$ 01: Mode1: 8 bit UART, Baud Rate is variable 10: Mode2: 9 bit UART, Baud Rate = $F_{SYSCLK} / 32$ or $/ 64$ 11: Mode3: 9 bit UART, Baud Rate is variable
		6	SM1	R/W	0	
		5	SM2	R/W	0	Serial port mode select bit 2 SM2 enables multiprocessor communication over a single serial line and modifies the above as follows. In Modes 2 & 3, if SM2 is set then the received interrupt will not be generated if the received ninth data bit is 0. In Mode 1, the received interrupt will not be generated unless a valid stop bit is received. In Mode 0, SM2 should be 0.
		4	REN	R/W	0	Set 1 to enable UART Reception
		3	TB8	R/W	0	Transmitter bit 8, ninth bit to transmit in Modes 2 and 3
		2	RB8	R/W	0	Receive Bit 8, contains the ninth bit that was received in Mode 2 and 3 or the stop bit in Mode 1 if SM2=0
		1	TI	R/W	0	Transmit Interrupt flag Set by H/W at the end of the eighth bit in Mode 0, or at the beginning of the stop bit in other modes. Must be cleared by S/W
		0	RI	R/W	0	Receive Interrupt flag Set by H/W at the end of the eighth bit in Mode 0, or at the sampling point of the stop bit in other modes. Must be cleared by S/W.
99h	SBUF	7~0	SBUF	R/W	-	UART transmit and receive data. Transmit data is written to this location and receive data is read from this location, but the paths are independent.
A0h	P2	7	P2.7	R/W	1	P2.7 data 0: Open Drain output low 1: Schmitt-trigger input with pull up
		6~0	P2.6~P2.0	R/W	7Fh	P2.6~P2.0 data, also controls the P2.n pin's pull-up function. If the P2.n SFR data is "1" and the corresponding P2OE.n=0 (input mode), the pull-up is enabled.
A2h	P1MODL	7~6	P1MOD3	R/W	00	P1.3 Pin Control 00: Mode0; 01: Mode1; 10: Mode2 11: Mode3, P1.3 is ADC input
		5~4	P1MOD2	R/W	00	P1.2 Pin Control 00: Mode0; 01: Mode1; 10: Mode2 11: Mode3, P1.2 is ADC input
		3~2	P1MOD1	R/W	00	P1.1 Pin Control 00: Mode0; 01: Mode1; 10: Mode2 11: Mode3, P1.1 is ADC input
		1~0	P1MOD0	R/W	00	P1.0 Pin Control 00: Mode0; 01: Mode1; 10: Mode2 11: Mode3, P1.0 is T2O output
A3h	P1MODH	7~6	P1MOD7	R/W	00	P1.7 Pin Control 00: Mode0; 01: Mode1; 10: Mode2 11: Mode3, P1.7 is ADC input
		5~4	P1MOD6	R/W	00	P1.6 Pin Control 00: Mode0; 01: Mode1; 10: Mode2 11: Mode3, P1.6 is ADC input
		3~2	P1MOD5	R/W	00	P1.5 Pin Control 00: Mode0; 01: Mode1; 10: Mode2 11: Mode3, P1.5 is ADC input
		1~0	P1MOD4	R/W	00	P1.4 Pin Control 00: Mode0; 01: Mode1; 10: Mode2 11: Mode3, P1.4 is ADC input

Adr	SFR	Bit#	Bit Name	R/W	Rst	Description
A4h	P3MODL	7~6	P3MOD3	R/W	11	P3.3 Pin Control 00: Mode0; 01: Mode1; 10: Mode2 11: Mode3, P3.3 is LCD Segment output
		5~4	P3MOD2	R/W	11	P3.2 Pin Control 00: Mode0; 01: Mode1; 10: Mode2 11: Mode3, P3.2 is LCD Segment output
		3~2	P3MOD1	R/W	11	P3.1 Pin Control 00: Mode0; 01: Mode1; 10: Mode2 11: Mode3, P3.1 is LCD Segment output
		1~0	P3MOD0	R/W	11	P3.0 Pin Control 00: Mode0; 01: Mode1; 10: Mode2 11: Mode3, P3.0 is LCD Segment output
A5h	P3MODH	7~6	P3MOD7	R/W	00	P3.7 Pin Control 00: Mode0; 01: Mode1; 10: Mode2 11: Mode3, P3.7 is TCO output
		5~4	P3MOD6	R/W	00	P3.6 Pin Control 00: Mode0; 01: Mode1; 10: Mode2 11: Mode3, P3.6 is T1B output
		3~2	P3MOD5	R/W	00	P3.5 Pin Control 00: Mode0; 01: Mode1; 10: Mode2 11: Mode3, P3.5 is T1O output
		1~0	P3MOD4	R/W	00	P3.4 Pin Control 00: Mode0; 01: Mode1; 10: Mode2 11: Mode3, P3.4 is Touch Key charge collection (CLD)
A6h	TOCON	7~6	T1OCON	R/W	00	T1O pin duty and frequency control 00: 1/2 duty, 1/2 Timer1 overflow frequency 01: 1/3 duty, 1/3 Timer1 overflow frequency 10: 1/4 duty, 1/4 Timer1 overflow frequency
		5~3	T2OCON	R/W	000	T2O pin duty and frequency control 000: 1/2 duty, 1/2 Timer2 overflow frequency 001: 1/3 duty, 1/3 Timer2 overflow frequency 010: 1/4 duty, 1/4 Timer2 overflow frequency 101: 2/3 duty, 1/3 Timer2 overflow frequency 110: 3/4 duty, 1/4 Timer2 overflow frequency
		2~0	TCOCON	R/W	000	TCO pin duty and frequency control 000: 1/2 duty, 1/2 SYSCLK frequency 001: 1/3 duty, 1/3 SYSCLK frequency 010: 1/4 duty, 1/4 SYSCLK frequency 011: 1/4 duty, 1/2 SYSCLK frequency 100: 1/2 duty, 1/1 SYSCLK frequency 101: 2/3 duty, 1/3 SYSCLK frequency 110: 3/4 duty, 1/4 SYSCLK frequency 111: 3/4 duty, 1/2 SYSCLK frequency
A7h	VCON	6	LDOE	R/W	1	Chip internal LDO Regulator enable control 0: LDO disable, $V_{DD} = V_{BAT}$ 1: LDO enable, $V_{DD} = \text{LDO Regulator output}$
		5~3	VSET2	R/W	111	V_{DD} voltage setting in Fast/Slow mode while LDOE=1. 000 ~ 010: Invalid 011: $V_{DD} = V_{BAT} * 154 / 300$ in Fast/Slow mode 100: $V_{DD} = V_{BAT} * 165 / 300$ in Fast/Slow mode 101: $V_{DD} = V_{BAT} * 176 / 300$ in Fast/Slow mode 110: $V_{DD} = V_{BAT} * 188 / 300$ in Fast/Slow mode 111: $V_{DD} = V_{BG} * 2.75 = 1.2V * 2.75 = 3.3V$ in Fast/Slow mode
		2~0	VSET1	R/W	111	V_{DD} voltage setting in Idle/Stop mode while LDOE=1. Definition is the same as VSET2.

Adr	SFR	Bit#	Bit Name	R/W	Rst	Description
A8h	IE	7	EA	R/W	0	Global interrupt enable control. 0: Disable all Interrupts. 1: Each interrupt is enabled or disabled by its own interrupt control bit.
		5	ET2	R/W	0	Set 1 to enable Timer2 interrupt
		4	ES	R/W	0	Set 1 to enable Serial Port (UART) Interrupt
		3	ET1	R/W	0	Set 1 to enable Timer1 Interrupt
		2	EX1	R/W	0	Set 1 to enable external INT1 pin Interrupt & Stop mode wake up capability
		1	ET0	R/W	0	Set 1 to enable Timer0 Interrupt
		0	EX0	R/W	0	Set 1 to enable external INT0 pin Interrupt & Stop mode wake up capability
A9h	INTE1	7~5	IAPWE	R/W	000	Set to 101 to enable IAP write for F2280B/84B, don't care for F2280/84. It is recommended to clear it immediately after IAP write.
		4	SPIE	R/W	0	Set 1 to enable SPI Interrupt
		3	TKIE	R/W	0	Set 1 to enable Touch Key Interrupt
		2	EX2	R/W	0	Set 1 to enable external INT2 pin Interrupt & Stop mode wake up capability
		1	PIIE	R/W	0	Set 1 to enable Port1 Pin Change Interrupt
		0	TM3IE	R/W	0	Set 1 to enable Timer3 Interrupt
ABh	ATKDT	7	TKEOC	R	-	Touch Key End of Conversion (for S/W Mode)
		6	TKOVF	R	-	Touch Key Counter Overflow (for S/W Mode)
		5~4	TKDH	R	-	Touch Key Counter Data 9~8 (for S/W Mode)
		3~0	ATKDT	R	-	Touch Key Auto Scan Result (for H/W ATK Mode) xxx1: TK0 has a Touch event xx1x: TK1 has a Touch event x1xx: TK2 has a Touch event 1xxx: TK3 has a Touch event
ACh	TKDL	7~0	TKDL	R	-	Touch Key Counter Data 7~0 (for S/W Mode)
ADh	TKCON	7	TKPD	R/W	1	Touch Key Power Down (for S/W mode) 0: Touch Key enable; 1: Touch Key disable
		6~4	TKTMR	R/W	100	Touch Key Conversion Time (for both S/W and H/W ATK mode) 000: Conversion time shortest ... 111: Conversion time longest
		3~0	TKCHS	R/W	1111	Touch Key Channel Select (for S/W Mode) 0000: TK0 (P1.7) 0001: TK1 (P1.6) 0010: TK2 (P1.5) 0011: TK3 (P1.4) 0100: TK4 (P1.3) 0101: TK5 (P1.2) 0110: TK6 (P1.1) 0111: TK7 (P1.0) 1000: TK8 (P3.7) 1001: TK9 (P3.6) 1010: TK10 (P3.5) 1011: TK11 (P3.3) 1100: TK12 (P3.2) 1101: TK13 (P3.1) 1110: TK14 (P3.0) 1111: Internal Reference Capacitor
AEh	TKCON2	3	TKAUTO	R/W	0	Touch Key Auto Scan Mode Enable 0: S/W Mode 1: H/W ATK Mode
		2	ATKRATE	R/W	0	Touch Key Scan Rate (for H/W ATK Mode) 0: ATK scan rate is 4096 Slow clock cycles (125ms if Slow clock is SXT) 1: ATK scan rate is 2048 Slow clock cycles (62ms if Slow clock is SXT)
		1~0	ATKNUM	R/W	11	Touch Key Auto Scan Channel Number (for H/W ATK Mode) 00: ATK only detect TK0 01: ATK detect TK0 and TK1 10: ATK detect TK0~TK2 11: ATK detect TK0~TK3

Adr	SFR	Bit#	Bit Name	R/W	Rst	Description
AFh	RFCON	7~6	P0RFC	R/W	00	P0.0~P0.3 pin RFC mode control. 00: P0.0~P0.3 are not RFC pins 01: P0.0 and P0.1 are RFC pins, P0.2 and P0.3 are not RFC pins 10: P0.0~P0.2 are RFC pins, P0.3 is not RFC pin 11: P0.0~P0.3 are RFC pins
		5~4	T0SEL	R/W	00	Timer0 Counter mode (CT0N=1) T0 input select 00: P3.4 pin (8051 standard) 01: RFC clock divided by 1/4/16/64 10: SXT clock 11: RFC clock divided by 1/4/16/64 gated by Timer2 overflow
		3~2	RFCPSC	R/W	11	RFC clock divider to Timer0 00: divided by 64 01: divided by 16 10: divided by 4 11: divided by 1
		1~0	RFCS	R/W	00	Select RFC convert channel. 00: RFC0R (P0.1) 01: RFC1R (P0.2) 10: RFC2R (P0.3)
B0h	P3	7~0	P3	R/W	FFh	Port 3 data
B1h	LCON	7	DSPON	R/W	0	Set 1 to enable LCD or LED Display
		6~4	LCDUTY	R/W	001	LCD / LED duty control. 000: 1/3 duty 001: 1/4 duty 010: 1/5 duty 011: 1/6 duty 100: 1/7 duty 101: 1/8 duty
		3~2	LCDCLK	R/W	00	LCD / LED clock source 00: SLOWCLK 01: SLOWCLK/2 10: FSUBCLK/128 11: FSUBCLK/256
		1~0	LCDFMR	R/W	10	LCD / LED Frame Rate, 3=Highest; 0=Lowest
B2h	LCON2	5	LEDMODE	R/W	0	LCD / LED mode select for COM and SEG pins 0: LCD mode; 1: LED mode
		4	LEDPL	R/W	1	LED Polarity 0: LED Segment Active Low; 1: LED Segment Active High
		3~0	LCDBV	R/W	0001	LCD Brightness, VLCD Voltage level control 0000: VLCD = V _{BAT} * 24/40 0001: VLCD = V _{BAT} * 25/40 0010: VLCD = V _{BAT} * 26/40 0011: VLCD = V _{BAT} * 27/40 0100: VLCD = V _{BAT} * 28/40 0101: VLCD = V _{BAT} * 29/40 0110: VLCD = V _{BAT} * 30/40 0111: VLCD = V _{BAT} * 31/40 1000: VLCD = V _{BAT} * 33/40 1001: VLCD = V _{BAT} * 34/40 1010: VLCD = V _{BAT} * 35/40 1011: VLCD = V _{BAT} * 36/40 1100: VLCD = V _{BAT} * 37/40 1101: VLCD = V _{BAT} * 38/40 1110: VLCD = V _{BAT} * 39/40 1111: VLCD = V _{BAT}
B3h	TM3SEC	7~0	TM3SEC	R	-	Timer3 count data bit 22~15
B4h	TM3DL	7~0	TM3DL	R	-	Timer3 count data bit 7~0
B5h	TM3DH	6~0	TM3DH	R	-	Timer3 count data bit 14~8
B6h	TM3RLD	7~0	TM3RLD	R/W	00h	Timer3 overflow reload data for Timer3 bit 22~15 (TM3SEC)

Adr	SFR	Bit#	Bit Name	R/W	Rst	Description
B7h	TM3ADJ	7	TM3ADJS	R/W	0	Timer3 adjustment sign 0: Timer3 positive adjust, to increase Timer3 counting rate 1: Timer3 negative adjust, to decrease Timer3 counting rate
		6~0	TM3ADJ	R/W	00h	Timer3 adjust magnitude, 0.477 ppm per LSB. The adjustment is calculated as $\pm TM3ADJ * 0.477 \text{ppm}$. The total adjustable range is $\pm 61 \text{ppm}$.
B8h	IP	5	PT2	R/W	0	Timer2 Interrupt Priority Low bit
		4	PS	R/W	0	Serial Port (UART) Interrupt Priority Low bit
		3	PT1	R/W	0	Timer1 Interrupt Priority Low bit
		2	PX1	R/W	0	External INT1 Pin Interrupt Priority Low bit
		1	PT0	R/W	0	Timer0 Interrupt Priority Low bit
		0	PX0	R/W	0	External INT0 Pin Interrupt Priority Low bit
B9h	IPH	5	PT2H	R/W	0	Timer2 Interrupt Priority High bit
		4	PSH	R/W	0	Serial Port (UART) Interrupt Priority High bit
		3	PT1H	R/W	0	Timer1 Interrupt Priority High bit
		2	PX1H	R/W	0	External INT1 Pin Interrupt Priority High bit
		1	PT0H	R/W	0	Timer0 Interrupt Priority High bit
		0	PX0H	R/W	0	External INT0 Pin Interrupt Priority High bit
BAh	IP1	4	PSPI	R/W	0	SPI Interrupt Priority Low bit
		3	PTKI	R/W	0	Touch Key Interrupt Priority Low bit
		2	PX2	R/W	0	External INT2 Pin Interrupt Priority Low bit
		1	PP1	R/W	0	Port1 pin change Interrupt Priority Low bit
		0	PT3	R/W	0	Timer3 Interrupt Priority Low bit
BBh	IP1H	4	PSPIH	R/W	0	SPI Interrupt Priority High bit
		3	PTKI H	R/W	0	Touch Key Interrupt Priority High bit
		2	PX2H	R/W	0	External INT2 Pin Interrupt Priority High bit
		1	PP1H	R/W	0	Port1 Interrupt Priority High bit
		0	PT3H	R/W	0	Timer3 Interrupt Priority High bit
BCh	SPCON	7	SPEN	R/W	0	Set 1 to enable SPI & P2.4~P2.6 SPI pin function
		6	MSTR	R/W	0	SPI Master Mode Enable. 0: Slave Mode; 1: Master Mode
		5	CPOL	R/W	0	SPI Clock Polarity 0: SCK is low in idle state; 1: SCK is high in idle state
		4	CPHA	R/W	0	SPI Clock Phase 0: Data sampled on first edge of SCK period 1: Data sampled on second edge of SCK period
		2	LSBF	R/W	0	SPI LSB First. 0: MSB first; 1: LSB first
		1~0	SPCR	R/W	00	SPI Clock Rate. 00: $F_{SYSCLK}/2$; 01: $F_{SYSCLK}/4$; 10: $F_{SYSCLK}/8$; 11: $F_{SYSCLK}/16$
BDh	SPSTA	7	SPIF	R/W	0	SPI Interrupt Flag Set by H/W at the end of a data transfer. Cleared by H/W when interrupt is vectored into. Write 0 to this bit will clear this flag.
		6	WCOL	R/W	0	Write Collision Interrupt Flag Set by H/W if write data to SPDAT when SPBSY=1. Write 0 to this bit or rewrite data to SPDAT when SPBSY=0 will clear this flag.
		4	RCVOVF	R/W	0	Receive Buffer Overrun Flag Set by H/W at the end of a data transfer and RCVBF=1. Write 0 to this bit or read SPDAT register will clear this flag.
		3	RCVBF	R/W	0	Receive Buffer Full Flag Set by H/W at the end of a data transfer. Write 0 to this bit or read SPDAT register will clear this flag.
		2	SPBSY	R	-	SPI Busy Flag (Read Only) Set by H/W when a SPI transfer is in progress.
BEh	SPDAT	7~0	SPDAT	R/W	00h	SPI Transmit and Receive Data The SPDAT register is used to transmit and receive data. Writing data to SPDAT place the data into shift register and start a transfer when in Master mode. Reading SPDAT returns the contents of the receive buffer.

Adr	SFR	Bit#	Bit Name	R/W	Rst	Description
C2h	BGADCS	7	LVR2E	R/W	0	Low Voltage Reset #2 enable, 1=enable. This bit must be set to 1 after the CMPVS setting done and the Bandgap voltage stable.
		6~4	ADCHS	R/W	000	ADC channel select 000: ADC disable; 001: AD1 (P1.1); 010: AD2 (P1.2); 011: AD3 (P1.3); 100: AD4 (P1.4); 101: AD5 (P1.5); 110: AD6 (P1.6); 111: AD7 (P1.7)
		3~0	CMPVS	R/W	0000	Select V _{BAT} resistor divider for Comparator input to compare with the 1.2V Bandgap reference voltage. If LVR2E=1, the Low Voltage Reset #2 is triggered when V _{BAT} resistor divider is lower than 1.2V (CMPO=0). 0000: Comparator Disable 0001: the Comparator input is V _{BAT} *12/24, LVR2=2.4V 0010: the Comparator input is V _{BAT} *12/25, LVR2=2.5V 0011: the Comparator input is V _{BAT} *12/26, LVR2=2.6V 0100: the Comparator input is V _{BAT} *12/27, LVR2=2.7V 0101: the Comparator input is V _{BAT} *12/28, LVR2=2.8V 0110: the Comparator input is V _{BAT} *12/29, LVR2=2.9V 0111: the Comparator input is V _{BAT} *12/30, LVR2=3.0V 1000: the Comparator input is V _{BAT} *12/31, LVR2=3.1V 1001: the Comparator input is V _{BAT} *12/33, LVR2=3.3V 1010: the Comparator input is V _{BAT} *12/35, LVR2=3.5V 1011: the Comparator input is V _{BAT} *12/37, LVR2=3.7V 1100: the Comparator input is V _{BAT} *12/39, LVR2=3.9V 1101: the Comparator input is V _{BAT} *12/41, LVR2=4.1V 1110: the Comparator input is V _{BAT} *12/43, LVR2=4.3V 1111: the Comparator input is V _{BAT} *12/45, LVR2=4.5V
C3h	BGADC	7	CMPO	R	-	Compare result of BandGap voltage and V _{BAT} voltage divider. CMPO=1 means the V _{BAT} divider voltage is higher. If LVR2E=1, the CMPO=0 can trigger LVR2.
		5~0	ADC	R	-	ADC convert data result
C4h	ATKCOMP0	7~0	ATKCOMP0	R/W	40h	Data Threshold Compared with TK0 scan (for H/W ATK Mode)
C5h	ATKCOMP1	7~0	ATKCOMP1	R/W	40h	Data Threshold Compared with TK1 scan (for H/W ATK Mode)
C6h	ATKCOMP2	7~0	ATKCOMP2	R/W	40h	Data Threshold Compared with TK2 scan (for H/W ATK Mode)
C7h	ATKCOMP3	7~0	ATKCOMP3	R/W	40h	Data Threshold Compared with TK3 scan (for H/W ATK Mode)
C8h	T2CON	7	TF2	R/W	0	Timer2 overflow flag Set by H/W when Timer/Counter 2 overflows unless RCLK=1 or TCLK=1. This bit must be cleared by S/W.
		6	EXF2	R/W	0	T2EX interrupt pin falling edge flag Set when a capture or a reload is caused by a negative transition on T2EX pin if EXEN2=1. This bit must be cleared by S/W.
		5	RCLK	R/W	0	UART receive clock control bit 0: Use Timer1 overflow as receive clock for serial port in mode 1 or 3 1: Use Timer2 overflow as receive clock for serial port in mode 1 or 3
		4	TCLK	R/W	0	UART transmit clock control bit 0: Use Timer1 overflow as transmit clock for serial port in mode 1 or 3 1: Use Timer2 overflow as transmit clock for serial port in mode 1 or 3
		3	EXEN2	R/W	0	T2EX pin enable 0: T2EX pin disable 1: T2EX pin enable, it cause a capture or reload when a negative transition on T2EX pin is detected if RCLK=TCLK=0
		2	TR2	R/W	0	Timer2 run control. 1:timer runs; 0:timer stops
		1	CT2N	R/W	0	Timer2 Counter/Timer select bit 0: Timer mode, Timer2 data increases at 2 System clock cycle rate 1: Counter mode, Timer2 data increases at T2 pin's negative edge
		0	CPRL2N	R/W	0	Timer2 Capture/Reload control bit 0: Reload mode, auto-reload on Timer2 overflows or negative transitions on T2EX pin if EXEN2=1. 1: Capture mode, capture on negative transitions on T2EX pin if EXEN2=1. If RCLK=1 or TCLK=1, CPRL2N is ignored and timer is forced to auto-reload on Timer2 overflow.

Adr	SFR	Bit#	Bit Name	R/W	Rst	Description
CAh	RCP2L	7~0	RCP2L	R/W	00h	Timer2 reload/capture data low byte
CBh	RCP2H	7~0	RCP2H	R/W	00h	Timer2 reload/capture data high byte
CCh	TL2	7~0	TL2	R/W	00h	Timer2 data low byte
CDh	TH2	7~0	TH2	R/W	00h	Timer2 data high byte
D0h	PSW	7	CY	R/W	0	ALU carry flag
		6	AC	R/W	0	ALU auxiliary carry flag
		5	F0	R/W	0	General purpose user-definable flag
		4	RS1	R/W	0	Register Bank Select bit 1
		3	RS0	R/W	0	Register Bank Select bit 0
		2	OV	R/W	0	ALU overflow flag
		1	F1	R/W	0	General purpose user-definable flag
		0	P	R/W	0	Parity flag
D8h	CLKCON	7	FCKTYPE	R/W	0	Fast clock select, This bit can be changed only in Slow mode (SELFCK=0) 0: Fast clock is FSUBCLK (FRC or FXT) 1: Fast clock is RFC, S/W must setup RFC circuitry before set this bit to 1
		6	FSUBSEL	R/W	0	FSUBCLK select, This bit can be changed only in Slow mode (SELFCK=0). 0: FSUBCLK is FRC 1: FSUBCLK is FXT, P2.1 and P2.2 are crystal oscillator pins
		5	SELFCK	R/W	0	System clock select. This bit can be changed only when STPFSSUB=0 or FCKTYPE=1. 0: Slow clock (SRC/SXT) 1: Fast clock (FRC/FXT/RFC)
		4	SCKTYPE	R/W	0	Slow clock Type. This bit can be changed only in Fast mode (SELFCK=1). 0: SRC 1: SXT, P0.7 and P2.0 are crystal oscillator pins
		3	STPFSSUB	R/W	0	Set 1 to stop FXT/FRC for power saving in Slow/Idle mode. This bit can be changed only in Slow mode or RFC mode.
		2~0	CLKPSC	R/W	101	System clock prescaler. 000: System clock is Fast/Slow clock divided by 32 001: System clock is Fast/Slow clock divided by 16 010: System clock is Fast/Slow clock divided by 8 011: System clock is Fast/Slow clock divided by 4 100: System clock is Fast/Slow clock divided by 2 101: System clock is Fast/Slow clock divided by 1
E0h	ACC	7~0	ACC	R/W	00h	Accumulator
F0h	B	7~0	B	R/W	00h	B register
F7h	CFGWL	4~0	FRCF	R/W	-	FRC frequency adjustment 00h=central frequency; 0Fh=highest frequency; 10h=lowest frequency
F8h	AUX1	4	TKSOC	R/W	0	Rising edge of this bit will trigger a Touch Key conversion (for S/W Mode). Basically, this bit is automatically cleared by H/W after end of conversion. However, if the SYSCLK is too slow, H/W might fail to clear TKSOC due to clock sampling rate issue.
		3	CLRWDT	R/W	0	Set to 1 to clear Watch Dog Timer
		2	CLRTM3	R/W	0	Set 1 to Clear Timer3 and force TM3SEC reload
		1	STPRFC	R/W	0	Set 1 to stop RFC clock oscillating
		0	DPSEL	R/W	0	Active DPTR Select

Adr	Flash	Bit#	Bit Name	Description
1FFEh	CFGWL	4~0	FRCF	FRC frequency adjustment. FRC is trimmed to 7.3728 MHz in chip manufacturing. FRCF records the adjustment data.
1FFFh	CFGWH	7	PROT	Flash Code Protect, 1=Protect
		6	XRSTE	Pin Reset enable, 1=enable.
		5	MVCLOCK	If 1, the MOVC & MOVX instruction's accessibility to MOVC-Lock area is limited.
		4	WDTE	WDT Reset enable, 1=enable.
		1	LVR1E	Low Voltage Reset #1 enable, 1=enable.

INSTRUCTION SET

Instructions are 1, 2 or 3 bytes long as listed in the 'byte' column below. Each instruction takes 1~8 System clock cycles to execute as listed in the 'cycle' column below.

ARITHMETIC				
Mnemonic	Description	byte	cycle	opcode
ADD A,Rn	Add register to A	1	2	28-2F
ADD A,dir	Add direct byte to A	2	2	25
ADD A,@Ri	Add indirect memory to A	1	2	26-27
ADD A,#data	Add immediate to A	2	2	24
ADDC A,Rn	Add register to A with carry	1	2	38-3F
ADDC A,dir	Add direct byte to A with carry	2	2	35
ADDC A,@Ri	Add indirect memory to A with carry	1	2	36-37
ADDC A,#data	Add immediate to A with carry	2	2	34
SUBB A,Rn	Subtract register from A with borrow	1	2	98-9F
SUBB A,dir	Subtract direct byte from A with borrow	2	2	95
SUBB A,@Ri	Subtract indirect memory from A with borrow	1	2	96-97
SUBB A,#data	Subtract immediate from A with borrow	2	2	94
INC A	Increment A	1	2	04
INC Rn	Increment register	1	2	08-0F
INC dir	Increment direct byte	2	2	05
INC @Ri	Increment indirect memory	1	2	06-07
DEC A	Decrement A	1	2	14
DEC Rn	Decrement register	1	2	18-1F
DEC dir	Decrement direct byte	2	2	15
DEC @Ri	Decrement indirect memory	1	2	16-17
INC DPTR	Increment data pointer	1	4	A3
MUL AB	Multiply A by B	1	8	A4
DIV AB	Divide A by B	1	8	84
DA A	Decimal Adjust A	1	2	D4

LOGICAL				
Mnemonic	Description	byte	cycle	opcode
ANL A,Rn	AND register to A	1	2	58-5F
ANL A,dir	AND direct byte to A	2	2	55
ANL A,@Ri	AND indirect memory to A	1	2	56-57
ANL A,#data	AND immediate to A	2	2	54
ANL dir,A	AND A to direct byte	2	2	52
ANL dir,#data	AND immediate to direct byte	3	4	53
ORL A,Rn	OR register to A	1	2	48-4F
ORL A,dir	OR direct byte to A	2	2	45
ORL A,@Ri	OR indirect memory to A	1	2	46-47
ORL A,#data	OR immediate to A	2	2	44
ORL dir,A	OR A to direct byte	2	2	42
ORL dir,#data	OR immediate to direct byte	3	4	43
XRL A,Rn	Exclusive-OR register to A	1	2	68-6F
XRL A,dir	Exclusive-OR direct byte to A	2	2	65
XRL A,@Ri	Exclusive-OR indirect memory to A	1	2	66-67
XRL A,#data	Exclusive-OR immediate to A	2	2	64
XRL dir,A	Exclusive-OR A to direct byte	2	2	62
XRL dir,#data	Exclusive-OR immediate to direct byte	3	4	63
CLR A	Clear A	1	2	E4
CPL A	Complement A	1	2	F4

LOGICAL				
Mnemonic	Description	byte	cycle	opcode
SWAP A	Swap Nibbles of A	1	2	C4
RL A	Rotate A left	1	2	23
RLC A	Rotate A left through carry	1	2	33
RR A	Rotate A right	1	2	03
RRC A	Rotate A right through carry	1	2	13

DATA TRANSFER				
Mnemonic	Description	byte	cycle	opcode
MOV A,Rn	Move register to A	1	2	E8-EF
MOV A,dir	Move direct byte to A	2	2	E5
MOV A,@Ri	Move indirect memory to A	1	2	E6-E7
MOV A,#data	Move immediate to A	2	2	74
MOV Rn,A	Move A to register	1	2	F8-FF
MOV Rn,dir	Move direct byte to register	2	4	A8-AF
MOV Rn,#data	Move immediate to register	2	2	78-7F
MOV dir,A	Move A to direct byte	2	2	F5
MOV dir,Rn	Move register to direct byte	2	4	88-8F
MOV dir,dir	Move direct byte to direct byte	3	4	85
MOV dir,@Ri	Move indirect memory to direct byte	2	4	86-87
MOV dir,#data	Move immediate to direct byte	3	4	75
MOV @Ri,A	Move A to indirect memory	1	2	F6-F7
MOV @Ri,dir	Move direct byte to indirect memory	2	4	A6-A7
MOV @Ri,#data	Move immediate to indirect memory	2	2	76-77
MOV DPTR,#data	Move immediate to data pointer	3	4	90
MOVC A,@A+DPTR	Move code byte relative DPTR to A	1	4	93
MOVC A,@A+PC	Move code byte relative PC to A	1	4	83
MOVX A,@Ri	Move external data(A8) to A	1	4	E2-E3
MOVX A,@DPTR	Move external data(A16) to A	1	4	E0
MOVX @Ri,A	Move A to external data(A8)	1	4	F2-F3
MOVX @DPTR,A	Move A to external data(A16)	1	4	F0
PUSH dir	Push direct byte onto stack	2	4	C0
POP dir	Pop direct byte from stack	2	4	D0
XCH A,Rn	Exchange A and register	1	2	C8-CF
XCH A,dir	Exchange A and direct byte	2	2	C5
XCH A,@Ri	Exchange A and indirect memory	1	2	C6-C7
XCHD A,@Ri	Exchange A and indirect memory nibble	1	2	D6-D7

BOOLEAN				
Mnemonic	Description	byte	cycle	opcode
CLR C	Clear carry	1	2	C3
CLR bit	Clear direct bit	2	2	C2
SETB C	Set carry	1	2	D3
SETB bit	Set direct bit	2	2	D2
CPL C	Complement carry	1	2	B3
CPL bit	Complement direct bit	2	2	B2
ANL C,bit	AND direct bit to carry	2	4	82
ANL C,/bit	AND direct bit inverse to carry	2	4	B0
ORL C,bit	OR direct bit to carry	2	4	72
ORL C,/bit	OR direct bit inverse to carry	2	4	A0
MOV C,bit	Move direct bit to carry	2	2	A2
MOV bit,C	Move carry to direct bit	2	4	92

BRANCHING				
Mnemonic	Description	byte	cycle	opcode
ACALL addr 11	Absolute jump to subroutine	2	4	11-F1
LCALL addr 16	Long jump to subroutine	3	4	12
RET	Return from subroutine	1	4	22
RETI	Return from interrupt	1	4	32
AJMP addr 11	Absolute jump unconditional	2	4	01-E1
LJMP addr 16	Long jump unconditional	3	4	02
SJMP rel	Short jump (relative address)	2	4	80
JC rel	Jump on carry=1	2	4	40
JNC rel	Jump on carry=0	2	4	50
JB bit,rel	Jump on direct bit=1	3	4	20
JNB bit,rel	Jump on direct bit=0	3	4	30
JBC bit,rel	Jump on direct bit=1 and clear	3	4	10
JMP @A+DPTR	Jump indirect relative DPTR	1	4	73
JZ rel	Jump on accumulator=0	2	4	60
JNZ rel	Jump on accumulator≠0	2	4	70
CJNE A,dir,rel	Compare A,direct, jump not equal relative	3	4	B5
CJNE A,#data,rel	Compare A,immediate, jump not equal relative	3	4	B4
CJNE Rn,#data,rel	Compare register,immediate, jump not equal relative	3	4	B8-BF
CJNE @Ri,#data,rel	Compare indirect,immediate, jump not equal relative	3	4	B6-B7
DJNZ Rn,rel	Decrement register, jump not zero relative	2	4	D8-DF
DJNZ dir,rel	Decrement direct byte, jump not zero relative	3	4	D5

MISCELLANEOUS				
Mnemonic	Description	byte	cycle	opcode
NOP	No operation	1	2	00

In the above table, an entry such as E8-EF indicates a continuous block of hex opcodes used for 8 different registers, the register numbers of which are defined by the lowest three bits of the corresponding code. Non-continuous blocks of codes, shown as 11-F1 (for example), are used for absolute jumps and calls with the top 3 bits of the code being used to store the top three bits of the destination address.

ELECTRICAL CHARACTERISTICS

Absolute Maximum Ratings

Parameter	Rating	Unit
Supply voltage	$V_{SS} - 0.3 \sim V_{SS} + 5.5$	V
Input voltage	$V_{SS} - 0.3 \sim V_{BAT} + 0.3$	
Output voltage	$V_{SS} - 0.3 \sim V_{BAT} + 0.3$	
Maximum Operating Voltage	5.5	
Output current high per 1 pin / all pins	-20 / -50	mA
Output current low per 1 pin / all pins	+30 / +100	
Operating temperature	-40 ~ +85	°C
Storage temperature	-65 ~ +150	

DC Characteristics ($T_A=25^\circ\text{C}$)

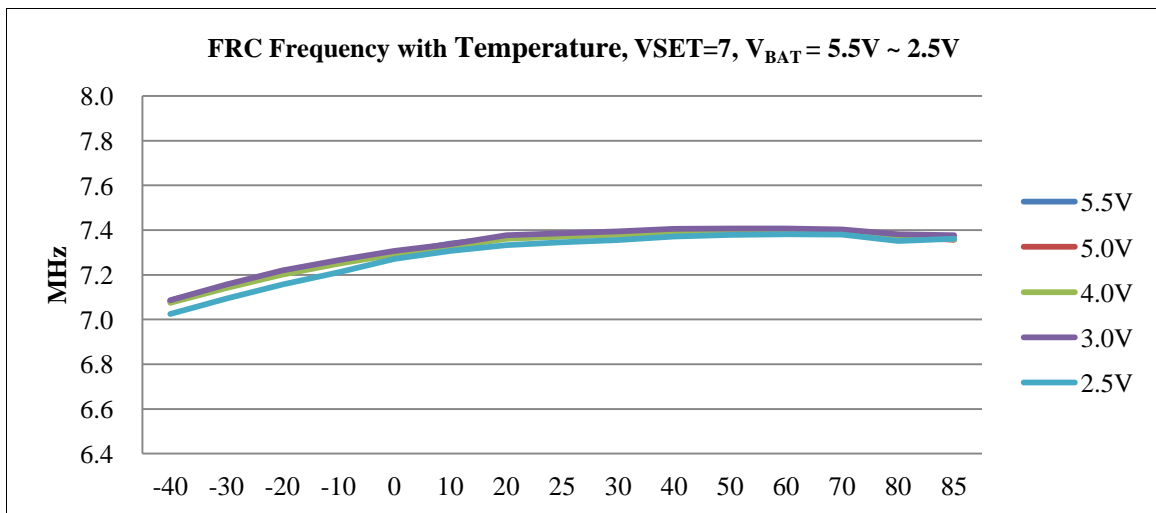
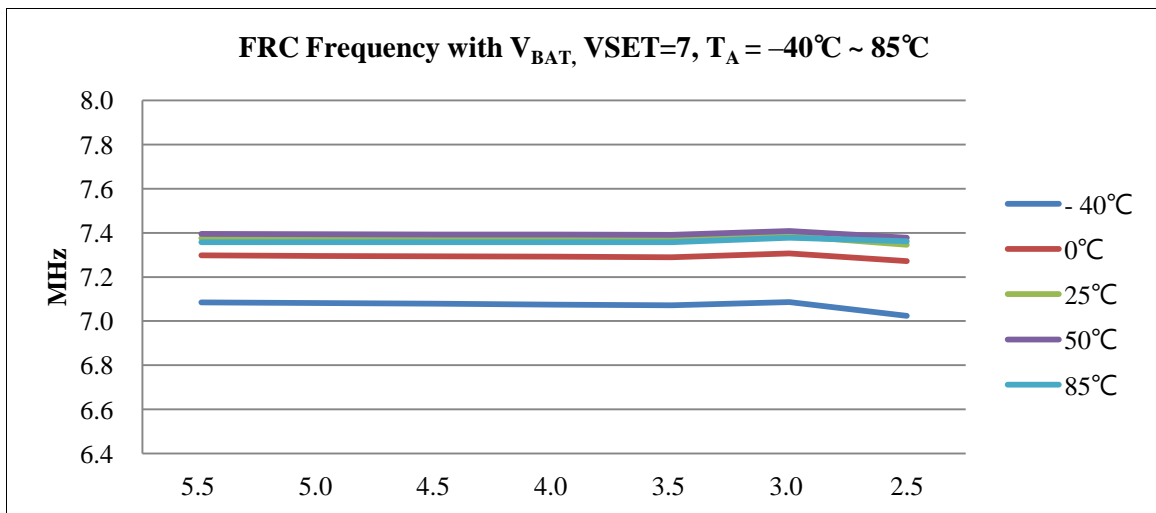
Parameter	Sym	Conditions	Min	Typ	Max	Unit	
Input High Voltage	V_{IH}	all except P2.7	$V_{BAT}=3V$	$0.6V_{BAT}$	-	-	V
		P2.7	$V_{BAT}=3V$	$0.8V_{BAT}$	-	-	
Input Low Voltage	V_{IL}	all Input	$V_{BAT}=3V$	-	-	$0.2V_{BAT}$	
I/O Port, LED SEG/COM Source Current	I_{OH}	all except P2.7	$V_{BAT}=3V$ $V_{OH}=2.7V$	2.5	4	-	mA
			$V_{BAT}=5V$ $V_{OH}=4.5V$	6	10	-	
I/O Port, LED SEG/COM Sink Current	I_{OL}	COM0~3	$V_{BAT}=3V$ $V_{OL}=0.3V$	-	40	-	mA
		Others	$V_{BAT}=3V$ $V_{OL}=0.3V$	7	11	-	
		COM0~3	$V_{BAT}=5V$ $V_{OL}=0.4V$	-	65	-	
		Others	$V_{BAT}=5V$ $V_{OL}=0.4V$	10	16	-	
Input leakage current (pin high)	I_{ILH}	all Input	$V_{IN}=V_{BAT}$	-	-	1	uA
Input leakage current (pin low)	I_{ILL}		$V_{in}=0V$	-	-	-1	
Power Supply Current	I_{BAT}	FRC, 7.37MHz	$V_{BAT}=5V$ $V_{DD}=3.3V$	-	2.6	-	mA
		FXT, 8MHz	$V_{BAT}=5V$ $V_{DD}=3.3V$	-	3.3	-	
		SRC, 40KHz	$V_{BAT}=3V$ $V_{DD}=1.5V$	-	6.1	-	uA
		SXT, 32KHz	$V_{BAT}=3V$ $V_{DD}=1.5V$	-	6.3	-	
		Idle, 32KHz	LCD On ATK On	-	2.8	-	
		Idle, 2KHz	LVR1 On	-	2.3	-	
		Idle, 32KHz	$V_{BAT}=3V$ $V_{DD}=1.5V$	-	1.3	-	
		Idle, 2KHz	LCD Off ATK Off	-	0.8	-	
Stop	LCD Off ATK Off	-	0.3	-			
System Clock Frequency	F_{SYSCLK}	$2.7V < V_{DD} < 4.0V$		-	-	8	MHz
		$2.0V < V_{DD} < 4.0V$		-	-	4	
Pull-Up Resistor	R_{PU}	all except P2.7	$V_{BAT}=3V$ $V_{IN}=0V$	-	420	-	K Ω
		P2.7	$V_{BAT}=3V$ $V_{IN}=0V$	-	270	-	

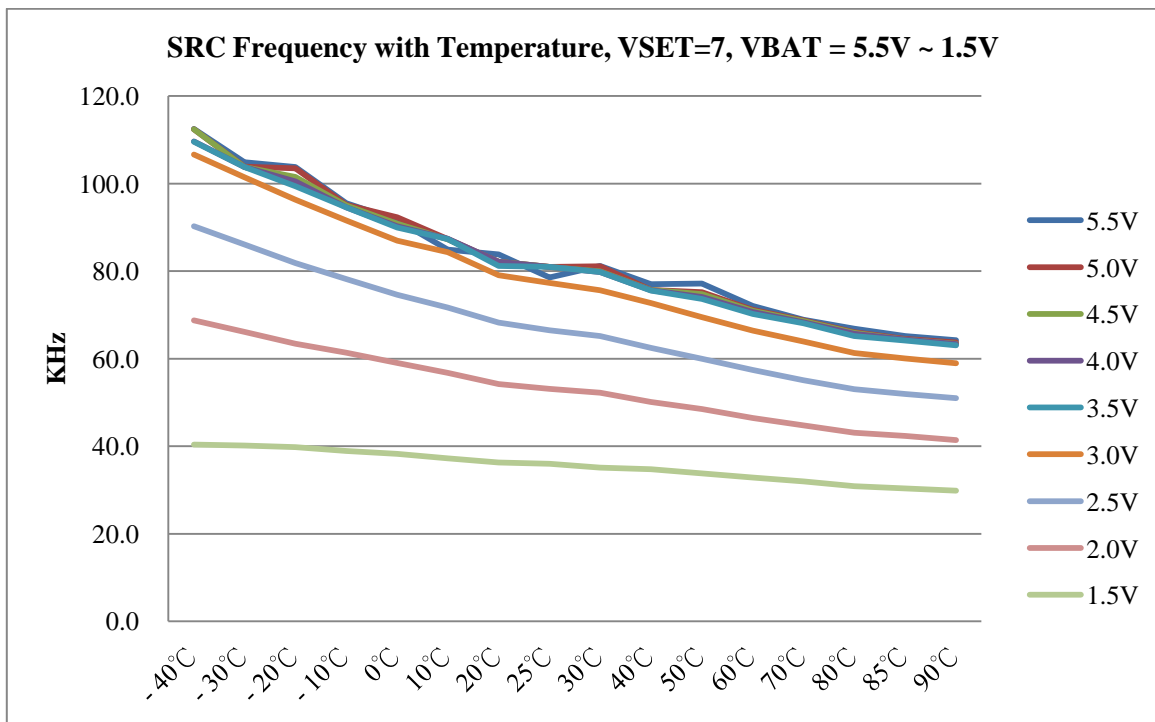
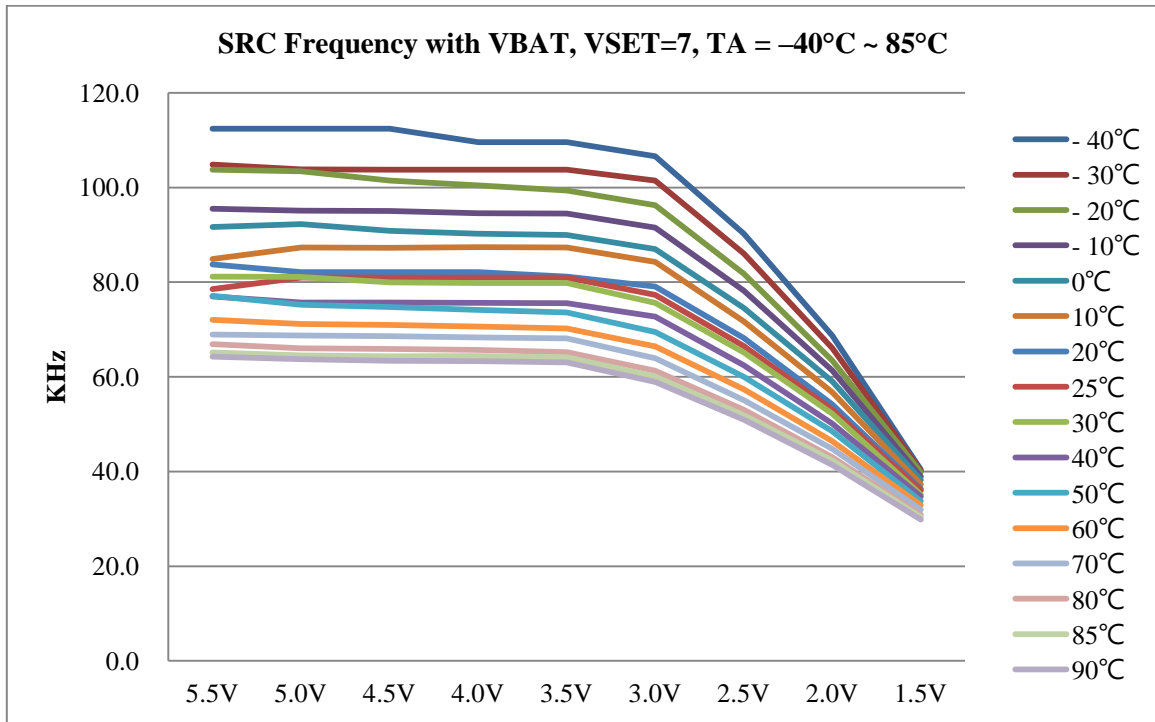
BandGap Reference Voltage

Parameter	Sym	Conditions	Min	Typ	Max	Unit
BandGap Voltage	V _{BG}	V _{BAT} =3V, 25°C	1.14	1.2	1.26	V
		V _{BAT} =3V, -40°C~85°C	1.12	1.2	1.28	
		V _{BAT} =5V, 25°C	1.18	1.25	1.33	
		V _{BAT} =5V, -40°C~85°C	1.16	1.25	1.35	

Clock Timing (T_A=25°C)

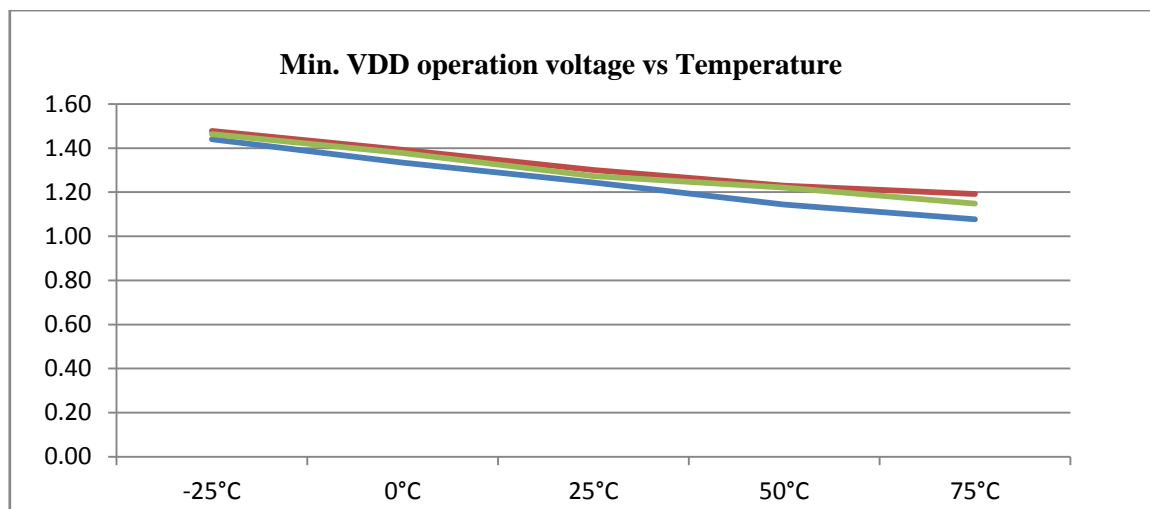
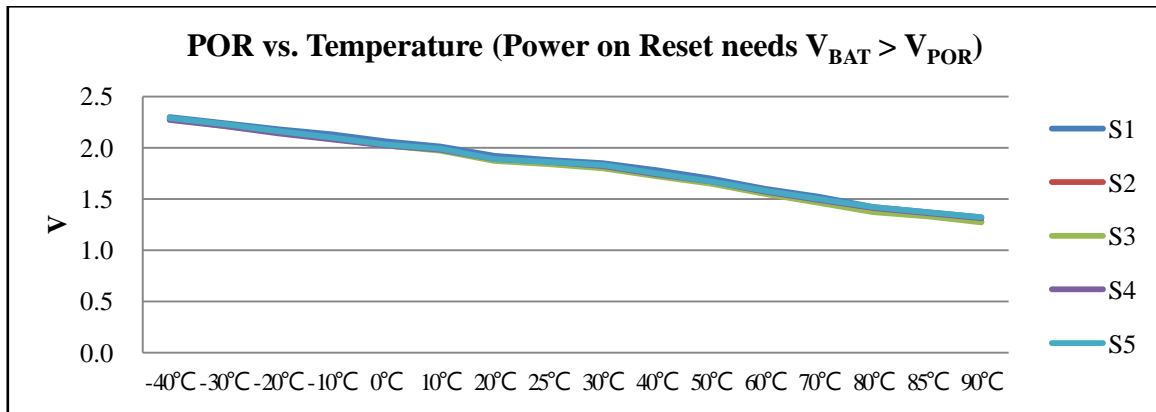
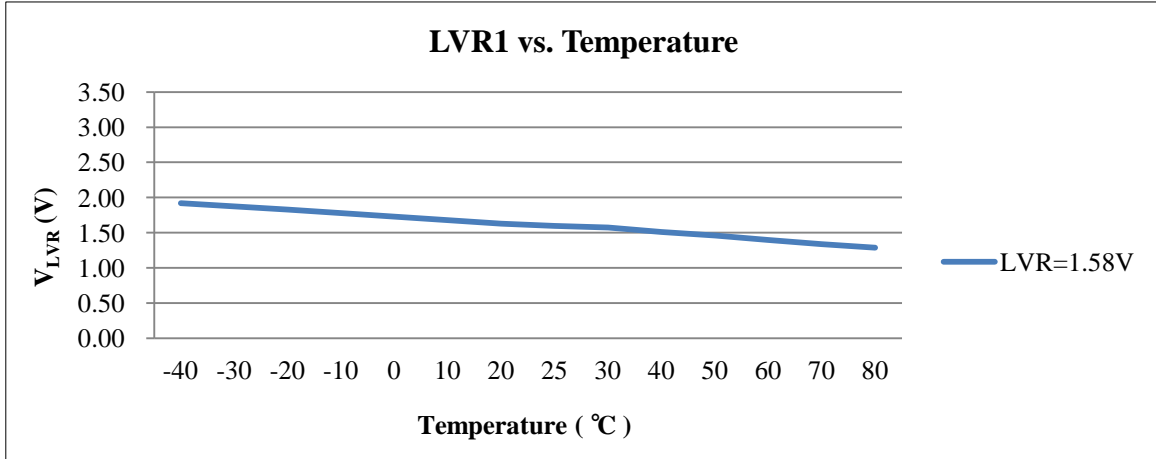
Parameter	Sym	Conditions	Min	Typ	Max	Unit
FRC Clock Frequency	F _{FRC}	V _{BAT} =5V, V _{DD} =3.3V	–	7.38	–	MHz
		V _{BAT} =3V, V _{DD} =3V	–	7.37	–	
		V _{BAT} =2.5V, V _{DD} =2.5V	–	7.33	–	
SRC Clock Frequency	F _{SRC}	V _{DD} =3V	–	80	–	KHz
		V _{DD} =1.5V	–	40	–	





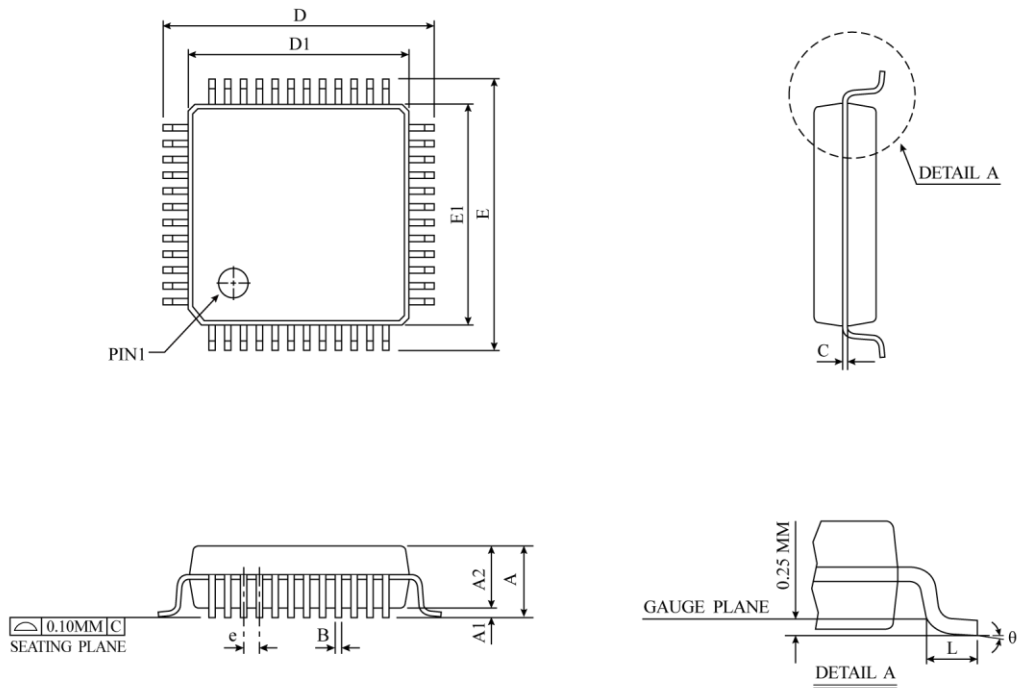
LVR1/POR Level

Parameter	Sym	Conditions	Min	Typ	Max	Unit
LVR1 Voltage Level	V _{LVR}	25°C	1.43	1.58	1.75	V
Power On Reset Voltage	V _{POR}	25°C	1.6	1.8	2.0	V



PACKAGE INFORMATION**Ordering Information**

Ordering number	Package
TM52F2280-MTP	Wafer / Dice blank chip
TM52F2280-COD	Wafer / Dice with code
TM52F2280-MTP-72	LQFP48 pin (7*7*1.4mm)
TM52F2284-MTP	Wafer / Dice blank chip
TM52F2284-COD	Wafer / Dice with code
TM52F2284-MTP-72	LQFP48 pin (7*7*1.4mm)

Package Information
LQFP-48 (7×7mm) Package Dimension


SYMBOL	DIMENSION IN MM			DIMENSION IN INCH		
	MIN	NOM	MAX	MIN	NOM	MAX
A	-	-	1.60	-	-	0.063
A1	0.05	0.10	0.15	0.001	0.004	0.006
A2	1.35	1.40	1.45	0.053	0.055	0.057
B	0.17	0.22	0.27	0.007	0.009	0.011
C	0.09	0.15	0.20	0.004	0.006	0.008
D	9.00 BSC			0.354 BSC		
D1	7.00 BSC			0.276 BSC		
E	9.00 BSC			0.354 BSC		
E1	7.00 BSC			0.276 BSC		
e	0.50 BSC			0.020 BSC		
L	0.45	0.60	0.75	0.018	0.024	0.030
θ	0°	3.5°	7°	0°	3.5°	7°
JEDEC	MS-026 (BBC)					

△ * NOTES : DIMENSION "D1" AND "E1" DO NOT INCLUDE MOLD PROTRUSIONS. ALLOWABLE PROTRUSIONS IS 0.25 mm PER SIDE.
 "D1" AND "E1" ARE MAXIMUM PLASTIC BODY SIZE DIMENSIONS INCLUDING MOLD MISMATCH.