



十速

TM52FN8273/76

TM52FN8274/78

DATA SHEET Rev 0.91

tenx reserves the right to change or discontinue the manual and online documentation to this product herein to improve reliability, function or design without further notice. **tenx** does not assume any liability arising out of the application or use of any product or circuit described herein; neither does it convey any license under its patent rights nor the rights of others. **tenx** products are not designed, intended, or authorized for use in life support appliances, devices, or systems. If Buyer purchases or uses **tenx** products for any such unintended or unauthorized application, Buyer shall indemnify and hold **tenx** and its officers, employees, subsidiaries, affiliates and distributors harmless against all claims, cost, damages, and expenses, and reasonable attorney fees arising out of, directly or indirectly, any claim of personal injury or death associated with such unintended or unauthorized use even if such claim alleges that **tenx** was negligent regarding the design or manufacture of the part.

AMENDMENT HISTORY

Version	Date	Description
V0.90	Dec, 2021	New Release.
V0.91	Aug, 2022	<ol style="list-style-type: none">1. Relax the operating temperature range to 105°C.2. Raise the IAP Write voltage to 4.0V.3. Add source current of LED pins.4. Added the description about Halt mode.5. Modify branch instruction cycle description in the instruction set.6. Modify the package direction of 28-pin QFN and 20-pin QFN.7. Disable the second programming pins P0.0 and P0.1 of the tenx proprietary writer (TWR98/TWR99).8. Some error correction.

CONTENTS

AMENDMENT HISTORY	2
TM52 F82xx FAMILY	5
GENERAL DESCRIPTION	8
BLOCK DIAGRAM	8
FEATURES	9
PIN ASSIGNMENT	13
PIN DESCRIPTION	21
PIN SUMMERY	22
FUNCTIONAL DESCRIPTION	23
1. CPU Core	23
1.1 Accumulator (ACC).....	23
1.2 B Register (B).....	23
1.3 Stack Pointer (SP).....	24
1.4 Dual Data Pointer (DPTRs).....	24
1.5 Program Status Word (PSW).....	25
2. Memory	26
2.1 Program Memory.....	26
2.2 EEPROM Memory	30
2.3 Data Memory	32
3. LVR setting	34
4. Reset.....	35
4.1 Power on Reset.....	35
4.2 External Pin Reset	35
4.3 Software Command Reset.....	35
4.4 Watchdog Timer Reset.....	35
4.5 Low Voltage Reset	35
5. Clock Circuitry & Operation Mode	37
5.1 System Clock.....	37
5.2 Operation Modes	39
6. Interrupt & Wake-up	41
6.1 Interrupt Enable and Priority Control	41
6.2 Pin Interrupt	44
6.3 Idle mode Wake up and Interrupt	45
6.4 Halt/Stop mode Wake up and Interrupt	45

7. I/O Ports	47
7.1 Port1 & P2.1~P2.0 & Port 3	47
7.2 Port0.....	55
8. Timers.....	58
8.1 Timer0 / Timer1.....	58
8.2 Timer2.....	61
8.3 Timer3.....	63
8.4 T0O and T2O Output Control	63
9. UARTs	64
10. PWMs.....	66
11. ADC	70
11.1 ADC Channels	71
11.2 ADC Conversion Time	71
12. Touch Key (FN8276/78 only)	74
13. S/W Controller LCD Driver	78
14. LED Controller/Driver	81
15. Serial Peripheral Interface (SPI)	85
16. Cyclic Redundancy Check (CRC).....	90
17. In Circuit Emulation (ICE) Mode	91
SFR & CFGW MAP	93
SFR & CFGW DESCRIPTION.....	95
INSTRUCTION SET	106
ELECTRICAL CHARACTERISTICS	109
1. Absolute Maximum Ratings.....	109
2. DC Characteristics.....	109
3. Clock Timing.....	110
4. Reset Timing Characteristics	111
5. ADC Electrical Characteristics	111
6. EEPROM Characteristics	111
7. Characteristic Graphs	112
Package and Dice Information.....	115

TM52 F82xx FAMILY

Common Feature

CPU	MTP/Flash Program memory	RAM bytes	Dual Clock	Operation Mode	Timer0 Timer1 Timer2	UART	Real-time Timer3	LVD	LVR
Fast 8051 (2T)	4K~32K with IAP, ISP, ICP	256 ~ 1024	SXT SRC FXT FRC	Fast Slow Idle Stop Halt	8051 Standard		15-bit	16 Level	8 ~ 16 Level

Note: IAP, ISP only for Flash type program memory

Note: TM52FE8273/76/74/78 and TM52FN8273/76/74/78 without LVD function

Family Members Features

P/N	Program Memory	Data Memory	RAM Bytes	IO Pin	PWM	SAR ADC	Touch Key	LCD	LED	SPI	Others
TM52-M8254	MTP	–	512	18	(8+2)-bit x2	12-bit	–	4com	–	–	–
TM52-M8258	4K Bytes	–	512	18	(8+2)-bit x2	12-bit	15-ch				
TM52-M8264	MTP	–	512	18	(8+2)-bit x2	12-bit	–	4com	–	–	–
TM52-M8268	8K Bytes	–	512	18	(8+2)-bit x2	12-bit	15-ch				
TM52-F8274	Flash	EEPROM	1024	26	(8+2)-bit x3	12-bit	–	8com	4Cx6S	Yes	UART2
TM52-F8278	8K Bytes	128 Bytes	1024	26	(8+2)-bit x3	14-ch	16-ch				
TM52-F8273	Flash	EEPROM	1024	26	(8+2)-bit x3	12-bit	–	8com	4Cx6S	Yes	UART2
TM52-F8276	16K Bytes	128 Bytes	1024	26	(8+2)-bit x3	14-ch	16-ch				
TM52-FE8274	Flash	EEPROM	1024	26	(8+2)-bit x3	12-bit	–	26com	4Cx6S	Yes	UART2
TM52-FE8278	8K Bytes	128 Bytes	1024	26	(8+2)-bit x3	14-ch	15-ch				
TM52-FE8273	Flash	EEPROM	1024	26	(8+2)-bit x3	12-bit	–	26com	4Cx6S	Yes	UART2
TM52-FE8276	16K Bytes	128 Bytes	1024	26	(8+2)-bit x3	14-ch	15-ch				
TM52-FN8274	Flash	EEPROM	1024	26	(8+2)-bit x3	12-bit	–	26com	4Cx6S	Yes	UART2
TM52-FN8278	8K Bytes	128 Bytes	1024	26	(8+2)-bit x3	14-ch	19-ch				
TM52-FN8273	Flash	EEPROM	1024	26	(8+2)-bit x3	12-bit	–	26com	4Cx6S	Yes	UART2
TM52-FN8276	16K Bytes	128 Bytes	1024	26	(8+2)-bit x3	14-ch	19-ch				

P/N	Operation Voltage	Operation Current					Max. System Clock (Hz)			
		Fast FRC	Slow SRC	Idle SRC	Stop	Halt	SXT	SRC	FXT	FRC
TM52-M8254	2.3~5.5V	4.0mA	1.3mA	18μA	0.1μA	-	32K	68K	8M	12.28M/2
TM52-M8258										
TM52-M8264	2.3~5.5V	4.0mA	1.3mA	18μA	0.1μA	-	32K	68K	8M	12.28M/2
TM52-M8268										
TM52-F8274	2.3~5.5V	5.3mA	1.3mA	20μA	0.1μA	-	32K	68K	12M	12.902M
TM52-F8278										
TM52-F8273	2.3~5.5V	5.3mA	1.3mA	20μA	0.1μA	-	32K	68K	12M	12.902M
TM52-F8276										
TM52-FE8274	2.3~5.5V	5.9mA	1.8mA	20μA	0.1μA	5μA	32K	68K	16M	14.746M
TM52-FE8278										
TM52-FE8273	2.3~5.5V	5.9mA	1.8mA	20μA	0.1μA	5μA	32K	68K	16M	14.746M
TM52-FE8276										
TM52-FN8274	2.2~5.5V	8mA	2.6mA	40μA	0.4μA@5V	23uA@5V	32K	80K	16M	14.746M
TM52-FN8278					0.1μA@3V	5.5uA@3V				
TM52-FN8273	2.2~5.5V	8mA	2.6mA	40μA	0.4μA@5V	23uA@5V	32K	80K	16M	14.746M
TM52-FN8276					0.1μA@3V	5.5uA@3V				

Compare Table:

	TM52FE8276/78	TM52FE73/74	TM52FN8276/78	TM52FN73/74
ROM	Flash 16K/8K		Flash 16K/8K	
EEPROM	128 bytes		128 bytes	
IRAM	256 bytes		256 bytes	
XRAM	768 bytes		768 bytes	
GPIO	26		26	
Interrupt	12		12	
FRC	14.7456 MHz		14.7456 MHz	
SRC	68 KHz		80 KHz	
Timer	16-bit Timer0/1/2 15-bit Timer3		16-bit Timer0/1/2 15-bit Timer3	
UART	UART1 UART2 (mode1/3)		UART1 UART2 (mode1/3)	
PWM	(8+2)-bit PWM0/1/2		(8+2)-bit PWM0/1/2	
SPI	Yes		Yes	
Touch Key	12-bit TKDATA 15 channel 1 Reference key	-	14-bit TKDATA 19 channel 1 Reference key	-
ADC	12-bit ADC 14 channel ADCVREFS = V _{CC} /2.5V/3V/4V		12-bit ADC 14 channel ADCVREFS = V _{CC} /2.5V	
LCD	26 COM 1/2 bias		26 COM 1/2 bias	
LED	4C x 6S		4C x 6S	
POR	2.3V		2.2V (power on) 1.9V (power off)	
LVR	2.4V/2.7V/2.9V/3.2V 3.5V/3.8V/4.0V/4.3V		2.2V/2.5V/2.8V/3.1V 3.4V/3.7V/4.0V/4.3V	
VBG	1.22V		1.20V	
PIWKUP	P1.7~P1.0		P1.3~P1.0	
IAPTE	Disable/0.9ms/3.6ms/7.2ms		Disable/1.5ms/5.8ms/11.7ms	
WDTPSC	60ms/120ms/240ms/480ms		50ms/100ms/200ms/400ms	
EFTCON	-		Yes	

Note:

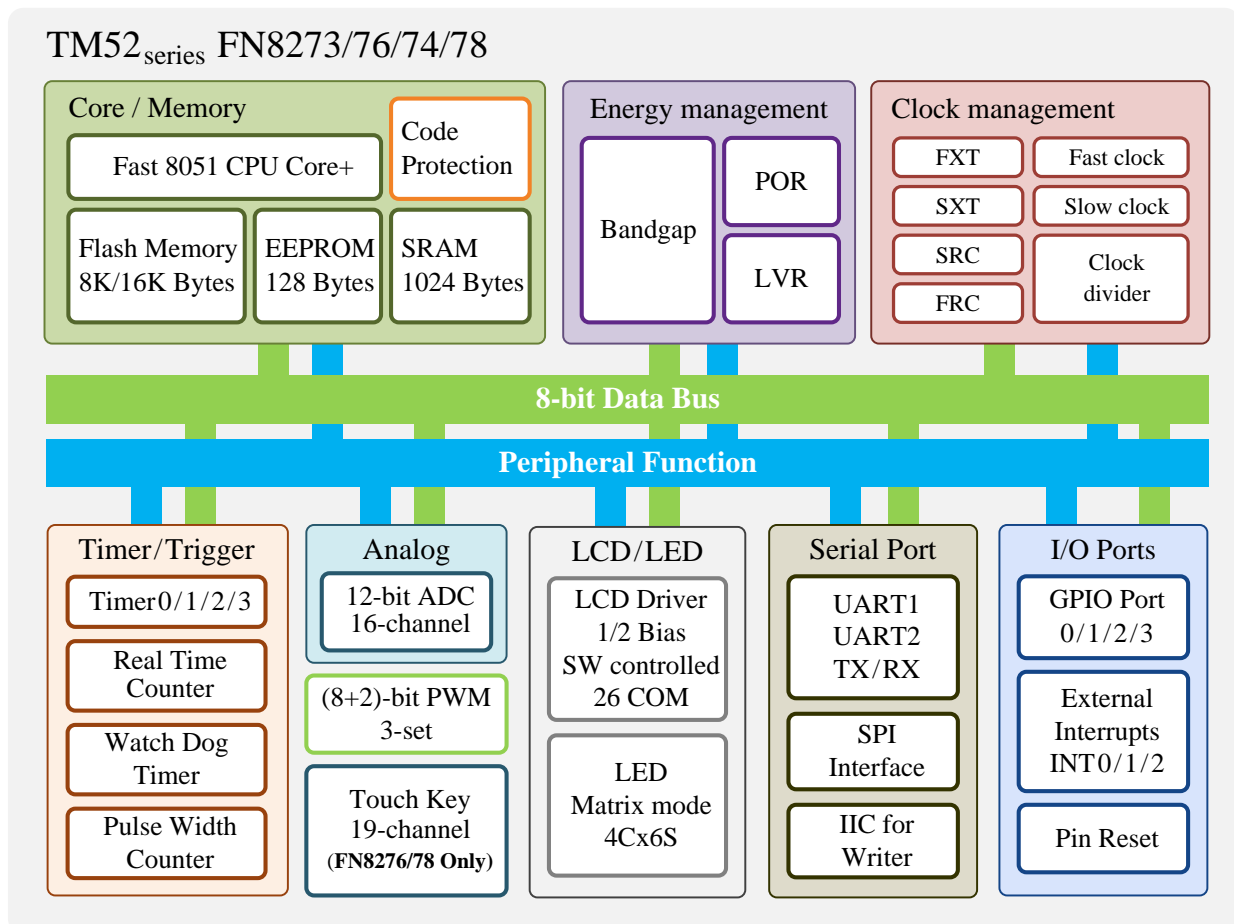
PIWKUP (SFR 96h): pin individual Wake-up / Interrupt enable control.
IAPTE (SFR F7h.2~1): IAP (or EEPROM) write watchdog timer enable.
WDTPSC (SFR 94h.5~4): Watchdog Timer pre-scalar time select.
EFTCON (SFR E5h): EFT Detector related control.

GENERAL DESCRIPTION

TM52_{series} FN8273/76/74/78 are versions of a new, fast 8051 architecture for an 8-bit microcontroller single chip with an instruction set fully compatible with industry standard 8051, and retains most 8051 peripheral's functional block. Typically, the **TM52** executes instructions six times faster than the standard 8051 architecture.

The **TM52-FN8273/76/74/78** provides improved performance, lower cost and fast time-to-market by integrating features on the chip, including 8K/16K Bytes Flash program memory, 128 Bytes EEPROM data memory, 1024 Bytes SRAM, Low Voltage Reset (LVR), dual clock power saving operation mode, 8051 standard UART and Timer0/1/2, real time clock Timer3, LCD/LED driver, 3 set (8+2)-bit PWMs, 14 channels 12-bit A/D Converter, 19 channels Touch Key (FN8276/78 only) and Watch Dog Timer. It's a high reliability and low power consumption feature can be widely applied in consumer and home appliance products.

BLOCK DIAGRAM



Note: 8K Bytes Flash program memory (TM52FN8274/78)
16K Bytes Flash program memory (TM52FN8273/76)

FEATURES

1. Standard 8051 Instruction set, fast machine cycle

- Executes instructions six times faster than the standard 8051.

2. Flash Program Memory

- 8K Bytes (TM52FN8274/78)
- 16K Bytes (TM52FN8273/76)
- Support “In Circuit Programming” (ICP) or “In System Programming” (ISP) for the Flash code
- Byte Write “In Application Programming” (IAP) mode is convenient as Data EEPROM access
- Code Protection Capability
- Built-in Watchdog Timer for escape the write fail state
- 10K erase times at least
- 10 years data retention at least

3. 128 Bytes EEPROM Memory

- 50K erase times at least
- 10 years data retention at least

4. Total 1024 Bytes SRAM (IRAM + XRAM)

- 256 Bytes IRAM in the 8051 internal data memory area
- 768 Bytes XRAM in the 8051 external data memory area (accessed by MOVX Instruction)

5. Four System Clock type selections

- Fast clock from 1~16MHz Crystal (FXT)
- Fast clock from Internal RC (FRC, 14.7456 MHz)
- Slow clock from 32768Hz Crystal (SXT)
- Slow clock from Internal RC (SRC, 80 KHz)
- System Clock can be divided by 1/2/4/16 option

6. 8051 Standard Timer – Timer0/1/2

- 16-bit Timer0, also supports T0O clock output for Buzzer application
- 16-bit Timer1
- 16-bit Timer2, also supports T2O clock output for Buzzer application

7. 15-bit Timer3

- Clock source is Slow clock
- Interrupt period can be clock divided by 32768/16384/8192/4096/2048/1024/512/256 option

8. UARTs

- UART1, 8051 standard UART, One Wire UART option can be used for ISP or other application
- UART2, the second UART, supports only mode1 and mode3

9. Three independent "8+2" bits PWMs with prescaler/ period-adjustment**10. SPI Interface**

- Master or Slave mode selectable
- Programmable transmit bit rate
- Serial clock phase and polarity options
- MSB-first or LSB-first selectable

11. 19-Channel Touch Key (FN8276/78 only)

- Internal reference key
- Touch Key clock Auto-change

12. 12-bit ADC with 14 channels External Pin Input and 2 channels Internal Reference Voltage

- Internal Reference Voltage (V_{BG}): $1.20V \pm 1\%$ @ $V_{CC}=5V \sim 3V$, $25^{\circ}C$
- Internal Reference Voltage: $V_{CC}/4$
- ADC reference voltage = $2.5V / V_{CC}$

13. LCD Driver

- Software controlled COM00~07, COM10~17, COM20~21, COM30~37 (Max. 26 pins)
- 1/2 LCD Bias

14. LED Controller/Driver

- New Matrix mode function
- Max. 10 pins (4 COM x 4 SEG ~ 4 COM x 6 SEG)
- COM with Dead Time
- 3groups, 8-level Brightness with smooth option
- LED hold function

15. 12 Sources, 4-level priority Interrupt

- Timer0/Timer1/Timer2/Timer3 Interrupt
- INT0/INT1 pin Falling-Edge/Low-Level Interrupt
- P1.0~P1.3 Pin Change Interrupt
- UART1/UART2 TX/RX Interrupt
- P3.7 (INT2) pin Interrupt
- ADC/Touch Key Interrupt
- SPI Interrupt

16. Pin Interrupt can Wake up CPU from Halt/Stop mode

- P3.2/P3.3 (INT0/INT1) Interrupt & Wake-up
- P3.7 (INT2) Interrupt & Wake-up
- P1.0~P1.3 pin can be defined as Interrupt & Wake-up pin (by pin change)

Note: Chip cannot enter Halt/Stop mode if $INTn$ pin is low and wakeup is enabled. ($INTn=0$ and $EXn=1$, $n=0\sim 2$)

17. Max. 26 Programmable I/O pins

- CMOS Output
- Pseudo-Open-Drain, or Open-Drain Output
- Schmitt Trigger Input
- Pin Pull-up can be Enabled or Disabled
- All pin with High sink (80mA@V_{CC}=5V , V_{OL}=0.1V_{CC})

18. Independent RC Oscillating Watch Dog Timer

- 400ms/200ms/100ms/50ms selectable WDT timeout options

19. Five types Reset

- Power on Reset
- Selectable External Pin Reset
- Selectable Watch Dog Reset
- Software Command Reset
- Selectable Low Voltage Reset

20. 8-level Low Voltage Reset

- 2.2V/2.5V/2.8V/3.1V/3.4V/3.7V/4.0V/4.3V (can be disabled)

21. Five Power Operation Modes

- Fast/Slow/Idle/Halt/Stop mode

22. Integrated 16-bit Cyclic Redundancy Check function**23. On-chip Debug/ICE interface**

- Use P3.0/P3.1 pin or P0.0/P0.1 pin
- Share with ICP programming pin

24. Operating Voltage and Current

- V_{CC} = 2.2V ~ 5.5V @F_{SYSCLK}=14.7456 MHz (-40°C ~ +105°C)
- I_{CC} = 0.1μA @Stop mode, PWRS_{AV}=1, V_{CC}=3V
- I_{CC} = 5.5μA @Halt mode, PWRS_{AV}=1, V_{CC}=3V
- I_{CC} = 16μA @Idle mode, PWRS_{AV}=1, V_{CC}=3V

25. Operating Temperature Range

- -40°C ~ +105°C

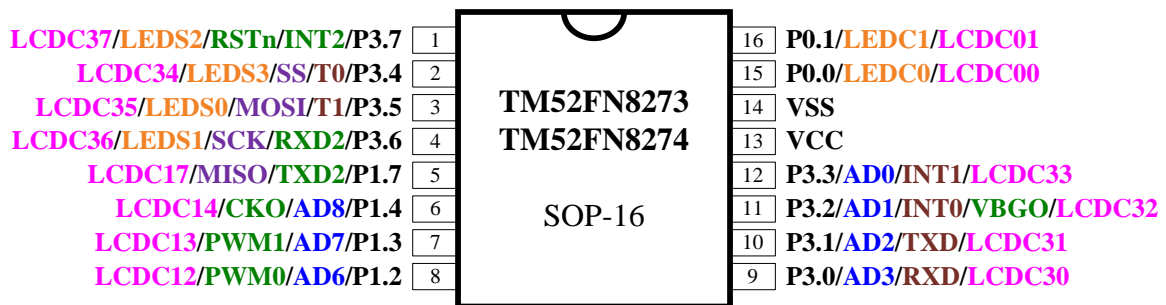
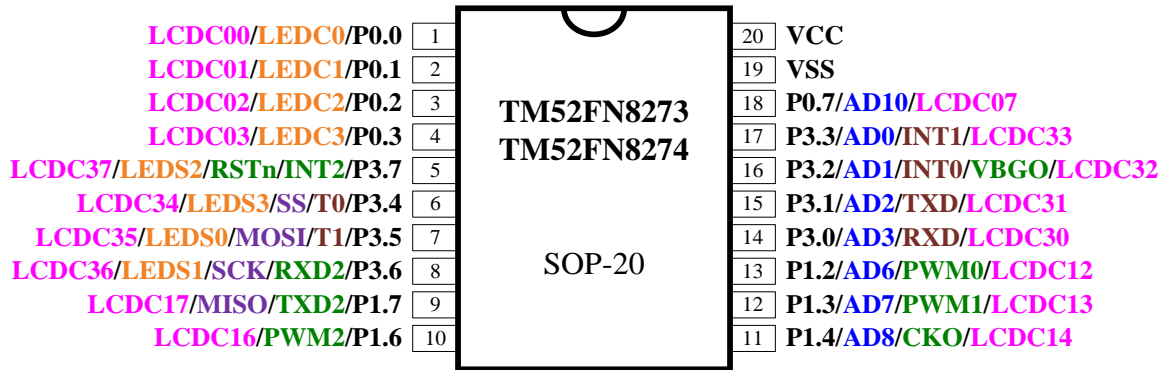
26. Package Types

- 28-pin SOP (300 mil)
- 28-pin SSOP (150 mil)
- 28-pin QFN (4x4x0.75-0.4mm)
- 24-pin SSOP (150 mil)
- 20-pin SOP (300 mil)
- 20-pin QFN (3x3x0.75-0.4mm) (L=0.25mm)
- 16-pin SOP (150 mil)

PIN ASSIGNMENT

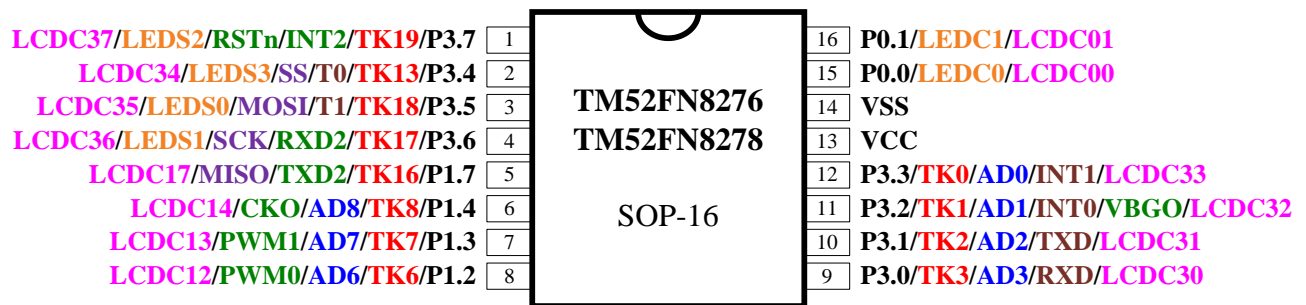
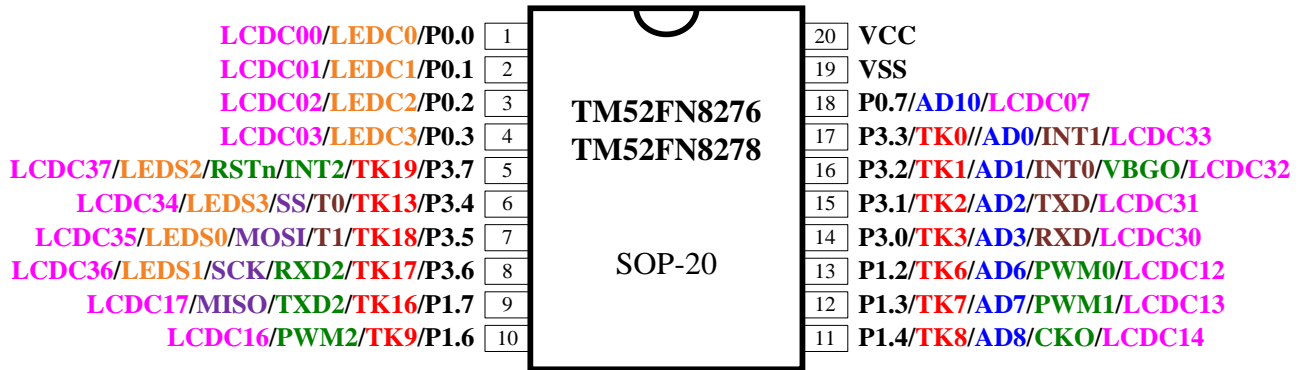
LCDC00/LEDC0/P0.0	1	TM52FN8273 TM52FN8274 SOP-28 SSOP-28	28	VCC
LCDC01/LEDC1/P0.1	2		27	VSS
LCDC02/LEDC2/P0.2	3		26	P0.7/AD10/LCDC07
LCDC03/LEDC3/P0.3	4		25	P0.6/AD14/LCDC06
LCDC20/LEDS4/XI/P2.0	5		24	P0.5/AD13/LCDC05
LCDC21/LEDS5/XO/P2.1	6		23	P0.4/AD12/LCDC04
LCDC37/LEDS2/RSTn/INT2/P3.7	7		22	P3.3/AD0/INT1/LCDC33
LCDC34/LEDS3/SS/T0/P3.4	8		21	P3.2/AD1/INT0/VBGO/LCDC32
LCDC35/LEDS0/MOSI/T1/P3.5	9		20	P3.1/AD2/TXD/LCDC31
LCDC36/LEDS1/SCK/RXD2/P3.6	10		19	P3.0/AD3/RXD/LCDC30
LCDC17/MISO/TXD2/P1.7	11		18	P1.0/AD4/T2/T2O/LCDC10
LCDC16/PWM2/P1.6	12		17	P1.1/AD5/T2EX/LCDC11
LCDC15/AD9/P1.5	13		16	P1.2/AD6/PWM0/LCDC12
LCDC14/CKO/AD8/P1.4	14		15	P1.3/AD7/PWM1/LCDC13

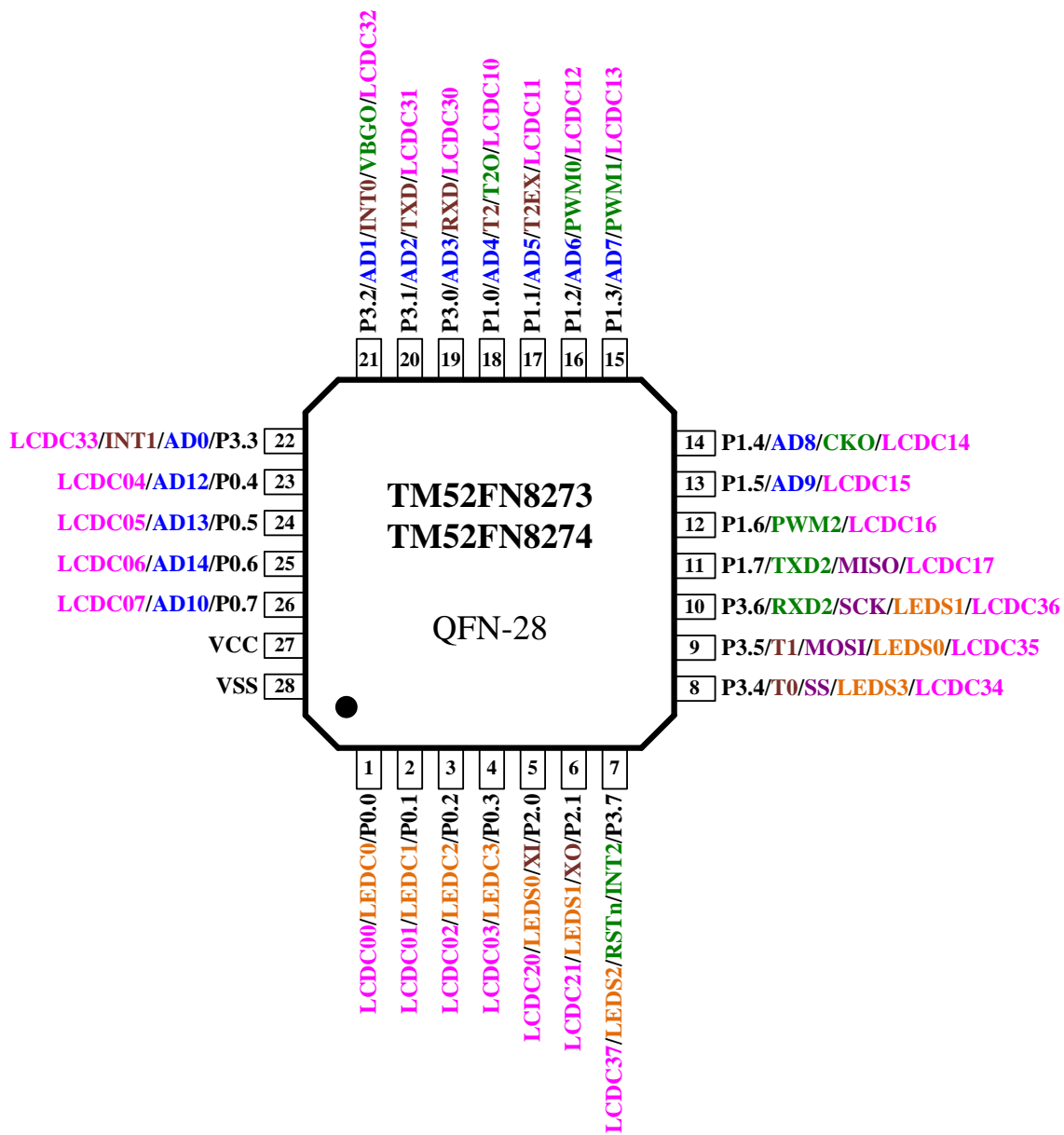
LCDC00/LEDC0/P0.0	1	TM52FN8273 TM52FN8274 SSOP-24	24	VCC
LCDC01/LEDC1/P0.1	2		23	VSS
LCDC02/LEDC2/P0.2	3		22	P0.7/AD10/LCDC07
LCDC03/LEDC3/P0.3	4		21	P3.3/AD0/INT1/LCDC33
LCDC20/LEDS4/XI/P2.0	5		20	P3.2/AD1/INT0/VBGO/LCDC32
LCDC21/LEDS5/XO/P2.1	6		19	P3.1/AD2/TXD/LCDC31
LCDC37/LEDS2/RSTn/INT2/P3.7	7		18	P3.0/AD3/RXD/LCDC30
LCDC34/LEDS3/SS/T0/P3.4	8		17	P1.0/AD4/T2/T2O/LCDC10
LCDC35/LEDS0/MOSI/T1/P3.5	9		16	P1.1/AD5/T2EX/LCDC11
LCDC36/LEDS1/SCK/RXD2/P3.6	10		15	P1.2/AD6/PWM0/LCDC12
LCDC17/MISO/TXD2/P1.7	11		14	P1.3/AD7/PWM1/LCDC13
LCDC16/PWM2/P1.6	12		13	P1.4/AD8/CKO/LCDC14

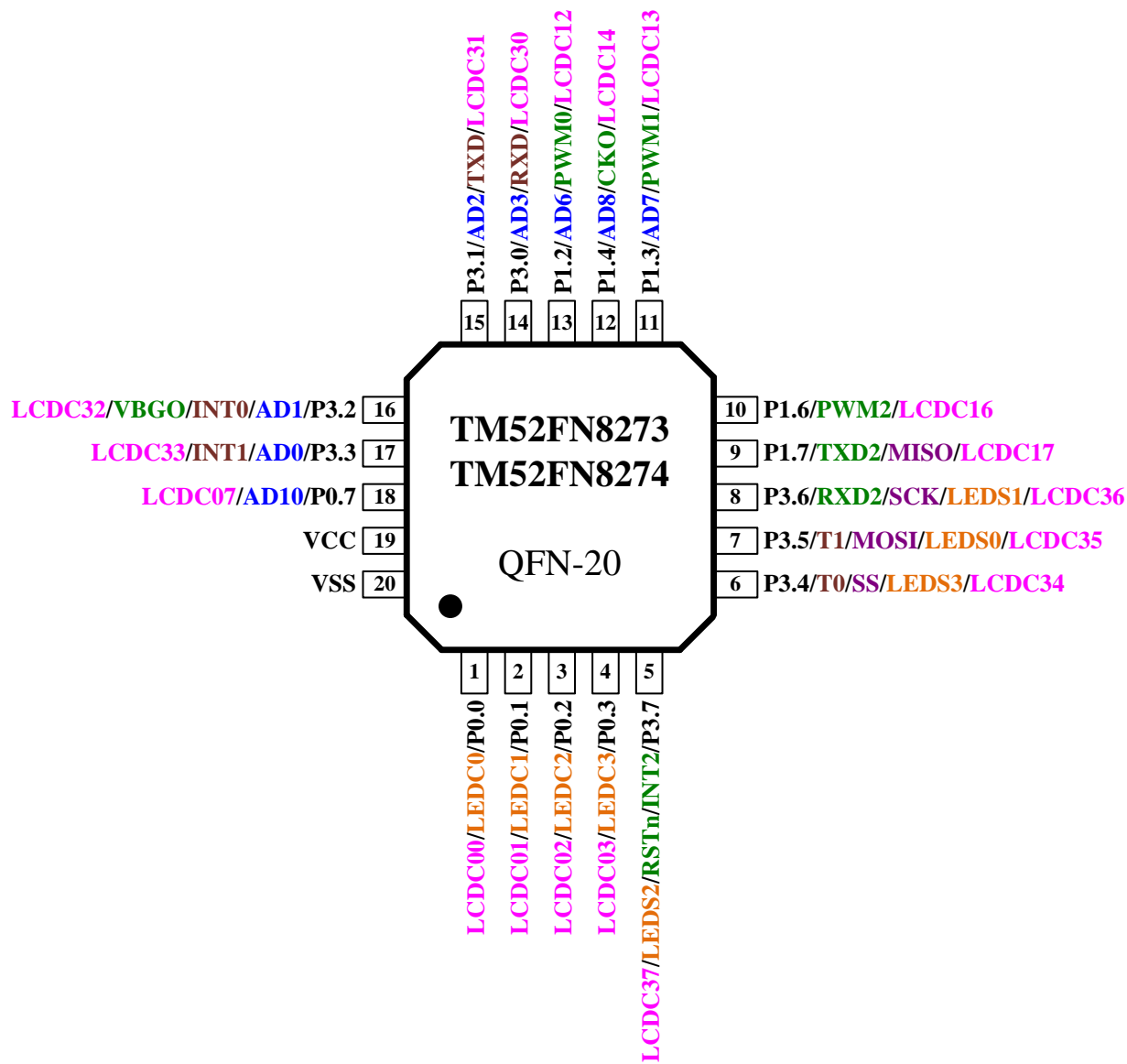


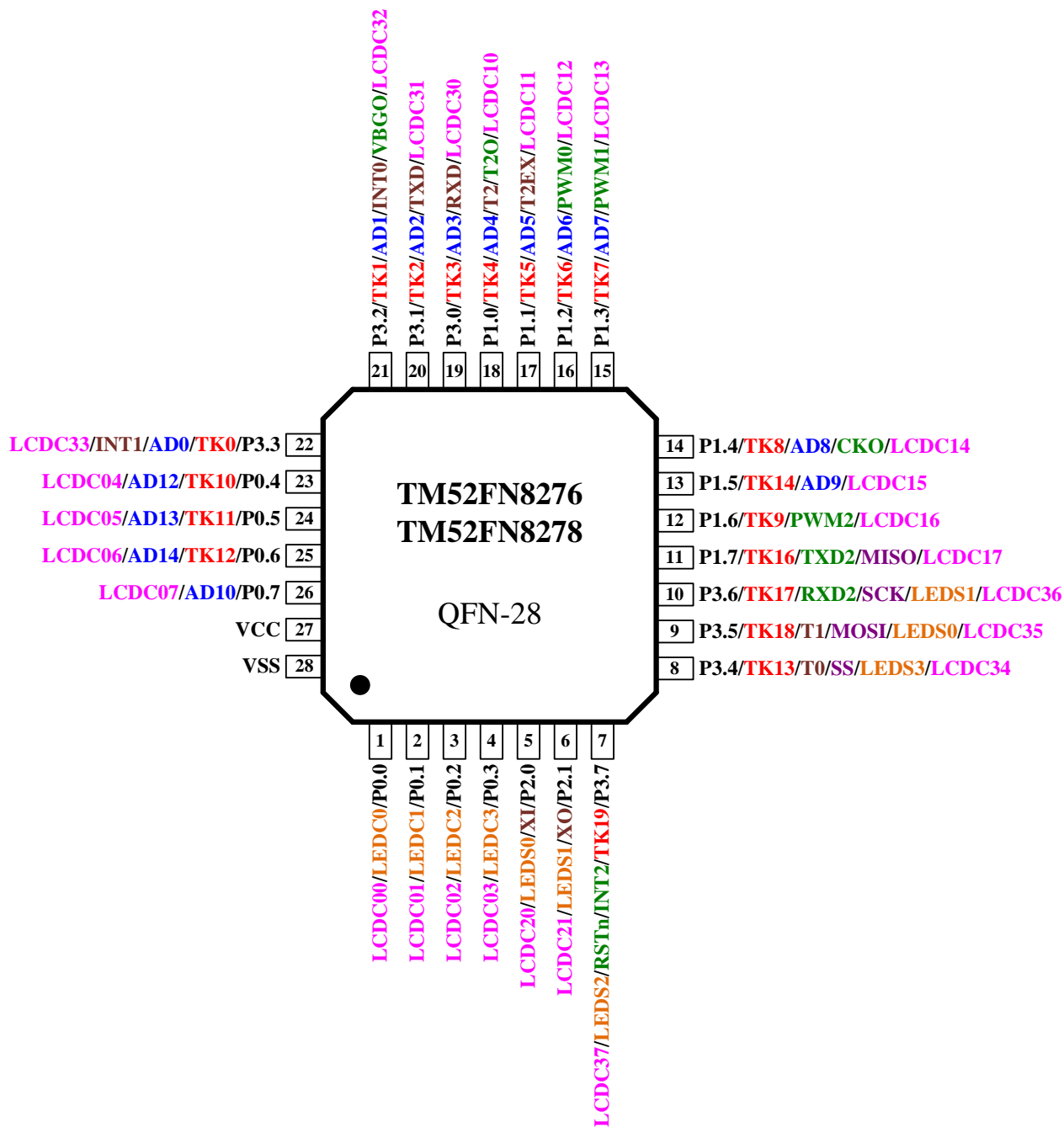
LCDC00/LEDC0/P0.0	1	TM52FN8276 TM52FN8278 SOP-28 SSOP-28	28	VCC
LCDC01/LEDC1/P0.1	2		27	VSS
LCDC02/LEDC2/P0.2	3		26	P0.7/AD10/LCDC07
LCDC03/LEDC3/P0.3	4		25	P0.6/TK12/AD14/LCDC06
LCDC20/LEDS4/XI/P2.0	5		24	P0.5/TK11/AD13/LCDC05
LCDC21/LEDS5/XO/P2.1	6		23	P0.4/TK10/AD12/LCDC04
LCDC37/LEDS2/RSTn/INT2/TK19/P3.7	7		22	P3.3/TK0/AD0/INT1/LCDC33
LCDC34/LEDS3/SS/T0/TK13/P3.4	8		21	P3.2/TK1/AD1/INT0/VBGO/LCDC32
LCDC35/LEDS0/MOSI/T1/TK18/P3.5	9		20	P3.1/TK2/AD2/TXD/LCDC31
LCDC36/LEDS1/SCK/RXD2/TK17/P3.6	10		19	P3.0/TK3/AD3/RXD/LCDC30
LCDC17/MISO/TXD2/TK16/P1.7	11		18	P1.0/TK4/AD4/T2/T20/LCDC10
LCDC16/PWM2/TK9/P1.6	12		17	P1.1/TK5/AD5/T2EX/LCDC11
LCDC15/AD9/TK14/P1.5	13		16	P1.2/TK6/AD6/PWM0/LCDC12
LCDC14/CKO/AD8/TK8/P1.4	14		15	P1.3/TK7/AD7/PWM1/LCDC13

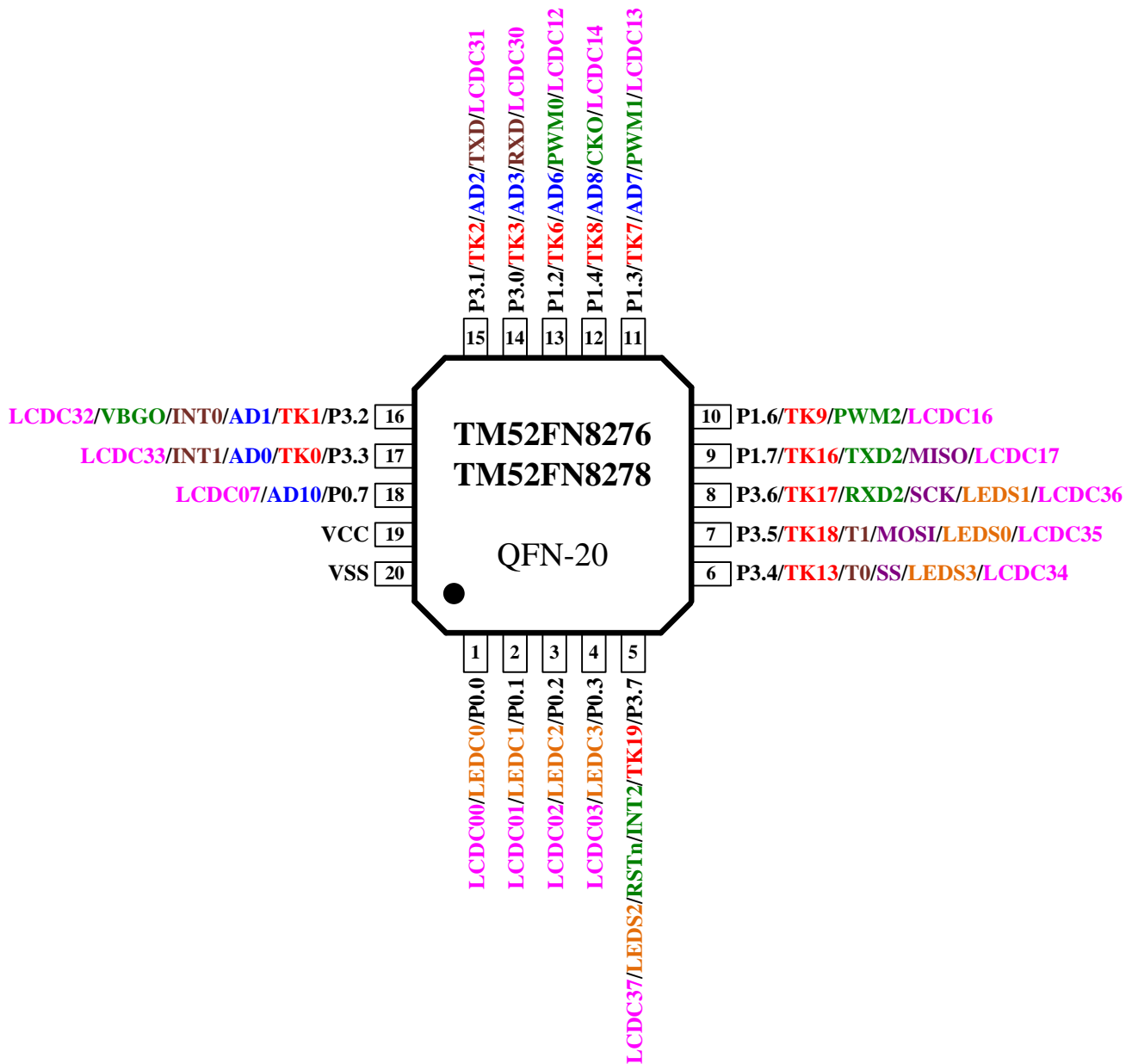
LCDC00/LEDC0/P0.0	1	TM52FN8276 TM52FN8278 SSOP-24	24	VCC
LCDC01/LEDC1/P0.1	2		23	VSS
LCDC02/LEDC2/P0.2	3		22	P0.7/AD10/LCDC07
LCDC03/LEDC3/P0.3	4		21	P3.3/TK0/AD0/INT1/LCDC33
LCDC20/LEDS4/XI/P2.0	5		20	P3.2/TK1/AD1/INT0/VBGO/LCDC32
LCDC21/LEDS5/XO/P2.1	6		19	P3.1/TK2/AD2/TXD/LCDC31
LCDC37/LEDS2/RSTn/INT2/TK19/P3.7	7		18	P3.0/TK3/AD3/RXD/LCDC30
LCDC34/LEDS3/SS/T0/TK13/P3.4	8		17	P1.0/TK4/AD4/T2/T20/LCDC10
LCDC35/LEDS0/MOSI/T1/TK18/P3.5	9		16	P1.1/TK5/AD5/T2EX/LCDC11
LCDC36/LEDS1/SCK/RXD2/TK17/P3.6	10		15	P1.2/TK6/AD6/PWM0/LCDC12
LCDC17/MISO/TXD2/TK16/P1.7	11		14	P1.3/TK7/AD7/PWM1/LCDC13
LCDC16/PWM2/TK9/P1.6	12		13	P1.4/TK8/AD8/CKO/LCDC14











PIN DESCRIPTION

Name	In/Out	Pin Description
P0.0~P0.7	I/O	Bit-programmable I/O port for Schmitt-trigger input or CMOS push-pull output. Pull-up resistors are assignable by software.
P1.0~P1.7	I/O	Bit-programmable I/O port for Schmitt-trigger input, CMOS push-pull output or "open-drain" output. Pull-up resistors are assignable by software. P1.0~P1.3 pin's level change can interrupt/wake up CPU from Idle/Halt/Stop mode.
P2.0~P2.1	I/O	Bit-programmable I/O port for Schmitt-trigger input, CMOS push-pull output or "open-drain" output. Pull-up resistors are assignable by software.
P3.0~P3.2	I/O	Bit-programmable I/O port for Schmitt-trigger input, CMOS push-pull output or " pseudo open drain " output. Pull-up resistors are assignable by software.
P3.3~P3.7	I/O	Bit-programmable I/O port for Schmitt-trigger input, CMOS push-pull output or "open-drain" output. Pull-up resistors are assignable by software.
INT0, INT1	I	External low level or falling edge Interrupt input, Idle/Halt/Stop mode wake up input.
INT2	I	External falling edge Interrupt input, Idle/Halt/Stop mode wake up input.
RXD	I/O	UART1 Mode0 transmit & receive data, Mode1/2/3 receive data
RXD2	I/O	UART2 Mode1/3 receive data
TXD	I/O	UART1 Mode0 transmit clock, Mode1/2/3 transmit data. In One Wire UART mode, this pin transmits and receives serial data.
TXD2	I/O	UART2 Mode1/3 transmit data.
T0, T1, T2	I	Timer0, Timer1, Timer2 event count pin input.
T2EX	I	Timer2 external trigger input.
T0O	O	Timer0 overflow divided by 64 output
T2O	O	Timer2 overflow divided by 2 output
CKO	O	System Clock divided by 2 output
VBGO	O	Bandgap voltage output
PWM0~PWM2	O	8+2 bit PWM output
AD0~AD10 AD12~AD14	I	ADC input
TK0~TK14 TK16~TK19	I	Touch Key input (FN8276/78 only)
LCDC00~LCDC07 LCDC10~LCDC17 LCDC20~LCDC21 LCDC30~LCDC37	O	LCD 1/2 bias output
LEDC0~LEDC3	O	LED common output
LEDS0~LEDS5	O	LED segment output
MISO	I/O	SPI data input for master mode, data output for slave mode
MOSI	I/O	SPI data output for master mode, data input for slave mode
SS	I	SPI active low slave select input for slave mode
SCK	I/O	SPI clock output for master or clock input for slave mode
RSTn	I	External active low reset input, Pull-up resistor is fixed enable.
XI, XO	–	Crystal/Resonator oscillator connection for System clock (FXT or SXT)
VCC, VSS	P	Power input pin and ground

PIN SUMMERY

Pin Number						Pin Name	Type	Initial State	Input			Output			Alternative Function					MISC		
SOP/SSOP-28	SSOP-24	SOP-20	SOP-16	QFN-28	QFN-20				Pull-up Control	Wake up	Ext. Interrupt	CMOS P.P.	P.O.D.	O.D.	LCD/LED	ADC	Touch Key	UART	PWM		Timer	SPI
1	1	1	15	1	1	LCDC00/LEDC0/P0.0	I/O	Hi-Z	⊙			●		●								
2	2	2	16	2	2	LCDC01/LEDC1/P0.1	I/O	Hi-Z	⊙			●		●								
3	3	3	-	3	3	LCDC02/LEDC2/P0.2	I/O	Hi-Z	⊙			●		●								
4	4	4	-	4	4	LCDC03/LEDC3/P0.3	I/O	Hi-Z	⊙			●		●								
5	5	-	-	5	-	LCDC20/LEDS4/XI/P2.0	I/O	Hi-Z	⊙			●		●	●					Crystal		
6	6	-	-	6	-	LCDC21/LEDS5/XO/P2.1	I/O	Hi-Z	⊙			●		●	●					Crystal		
7	7	5	1	7	5	LCDC37/LEDS2/RSTn/INT2/P3.7	I/O	Hi-Z	⊙	●	●	●		●	●					Reset		
8	8	6	2	8	6	LCDC34/LEDS3/SS/T0/TK13/P3.4	I/O	Hi-Z	⊙			●		●	●	●			●	●		
9	9	7	3	9	7	LCDC35/LEDS0/MOSI/T1/P3.5	I/O	Hi-Z	⊙			●		●	●				●	●		
10	10	8	4	10	8	LCDC36/LEDS1/SCK/RXD2/P3.6	I/O	Hi-Z	⊙			●		●	●				●	●		
11	11	9	5	11	9	LCDC17/MISO/TXD2/P1.7	I/O	Hi-Z	⊙			●		●	●				●	●		
12	12	10	-	12	10	LCDC16/PWM2/TK9/P1.6	I/O	Hi-Z	⊙			●		●	●			●				
13	-	-	-	13	-	LCDC15/AD9/TK14/P1.5	I/O	Hi-Z	⊙			●		●	●	●						
14	13	11	6	14	12	LCDC14/CKO/AD8/TK8/P1.4	I/O	Hi-Z	⊙			●		●	●	●				CKO		
15	14	12	7	15	11	LCDC13/PWM1/AD7/TK7/P1.3	I/O	Hi-Z	⊙	●		●		●	●	●			●			
16	15	13	8	16	13	LCDC12/PWM0/AD6/TK6/P1.2	I/O	Hi-Z	⊙	●		●		●	●	●			●			
17	16	-	-	17	-	LCDC11/T2EX/AD5/TK5/P1.1	I/O	Hi-Z	⊙	●		●		●	●	●			●			
18	17	-	-	18	-	LCDC10/T2O/T2/AD4/TK4/P1.0	I/O	Hi-Z	⊙	●		●		●	●	●			●	T2O		
19	18	14	9	19	14	LCDC30/RXD/AD3/TK3/P3.0	I/O	Hi-Z	⊙			●		●	●	●	●					
20	19	15	10	20	15	LCDC31/TXD/AD2/TK2/P3.1	I/O	Hi-Z	⊙			●		●	●	●						
21	20	16	11	21	16	LCDC32/VBGO/INT0/AD1/TK1/P3.2	I/O	Hi-Z	⊙	●	●	●		●	●	●				VBGO		
22	21	17	12	22	17	LCDC33/INT1/AD0/TK0/P3.3	I/O	Hi-Z	⊙	●	●	●		●	●	●						
23	-	-	-	23	-	LCDC04/AD12/TK10/P0.4	I/O	Hi-Z	⊙			●		●	●							
24	-	-	-	24	-	LCDC05/AD13/TK11/P0.5	I/O	Hi-Z	⊙			●		●	●							
25	-	-	-	25	-	LCDC06/AD14/TK12/P0.6	I/O	Hi-Z	⊙			●		●	●							
26	22	18	-	26	18	LCDC07/AD10/P0.7	I/O	Hi-Z	⊙			●		●	●							
27	23	19	14	28	20	VSS	P															
28	24	20	13	27	19	VCC	P															

Symbol:

P.P. = Push-Pull

O.D. = Open Drain

P.O.D. = Pseudo Open Drain

PS:

- Port1, P2.0, P2.1, Port3 these pins control Pull up resistor by operation modes
- ⊙ Port0 control Pull up resistor while P0OE.n=0 and P0.n=1

FUNCTIONAL DESCRIPTION

1. CPU Core

In the 8051 architecture, the C programming language is used as a development platform. The TM52 device features a fast 8051 core in a highly integrated microcontroller, allowing designers to be able to achieve improved performance compared to a classic 8051 device. TM52 series microcontrollers provide a complete binary code with standard 8051 instruction set compatibility, ensuring an easy migration path to accelerate the development speed of system products. The CPU core includes an ALU, a program status word (PSW), an accumulator (ACC), a B register, a stack point (SP), DPTRs, a program counter, an instruction decoder, and core special function registers (SFRs).

1.1 Accumulator (ACC)

This register provides one of the operands for most ALU operations. Accumulators are generally referred to as A or Acc and sometimes referred to as Register A. In this document, the accumulator is represented as “A” or “ACC” including the instruction table. The accumulator, as its name suggests, is used as a general register to accumulate the intermediate results of a large number of instructions. The accumulator is the most important and frequently used register to complete arithmetic and logical operations. It holds the intermediate results of most arithmetic and logic operations and assists in data transportation.

SFR E0h	Bit 7	Bit 6	Bit 5	Bit 4	Bit 3	Bit 2	Bit 1	Bit 0
ACC	ACC.7	ACC.6	ACC.5	ACC.4	ACC.3	ACC.2	ACC.1	ACC.0
R/W	R/W	R/W	R/W	R/W	R/W	R/W	R/W	R/W
Reset	0	0	0	0	0	0	0	0

E0h.7~0 **ACC**: Accumulator

1.2 B Register (B)

The “B” register is very similar to the ACC and may hold a 1 Byte value. This register provides the second operand for multiply or divide instructions. Otherwise, it may be used as a scratch pad register. The B register is only used by two 8051 instructions, MUL and DIV. When A is to be multiplied or divided by another number, the other number is stored in B. For MUL and DIV instructions, it is necessary that the two operands are in A and B.

ex: DIV AB

When this instruction is executed, data inside A and B are divided, and the answer is stored in A.

SFR F0h	Bit 7	Bit 6	Bit 5	Bit 4	Bit 3	Bit 2	Bit 1	Bit 0
B	B.7	B.6	B.5	B.4	B.3	B.2	B.1	B.0
R/W	R/W	R/W	R/W	R/W	R/W	R/W	R/W	R/W
Reset	0	0	0	0	0	0	0	0

F0h.7~0 **B**: B register

1.3 Stack Pointer (SP)

The SP register contains the Stack Pointer. The Stack Pointer is used to load the program counter into memory during LCALL and ACALL instructions and is used to retrieve the program counter from memory in RET and RETI instructions. The stack may also be saved or loaded using PUSH and POP instructions, which also increment and decrement the Stack Pointer.

SFR 81h	Bit 7	Bit 6	Bit 5	Bit 4	Bit 3	Bit 2	Bit 1	Bit 0
SP	SP							
R/W	R/W							
Reset	0	0	0	0	0	1	1	1

81h.7~0 **SP:** Stack Point

1.4 Dual Data Pointer (DPTRs)

TM52 device has two DPTRs, which share the same SFR address. Each DPTR is 16 bits in size and consists of two registers: the DPTR high byte (DPH) and the DPTR low byte (DPL). The DPTR is used for 16-bit-address external memory accesses, for offset code byte fetches, and for offset program jumps. Setting the DPSEL control bit allows the program code to switch between the two physical DPTRs.

SFR 82h	Bit 7	Bit 6	Bit 5	Bit 4	Bit 3	Bit 2	Bit 1	Bit 0
DPL	DPL							
R/W	R/W							
Reset	0	0	0	0	0	0	0	0

82h.7~0 **DPL:** Data Point low byte

SFR 83h	Bit 7	Bit 6	Bit 5	Bit 4	Bit 3	Bit 2	Bit 1	Bit 0
DPH	DPH							
R/W	R/W							
Reset	0	0	0	0	0	0	0	0

83h.7~0 **DPH:** Data Point high byte

SFR F8h	Bit 7	Bit 6	Bit 5	Bit 4	Bit 3	Bit 2	Bit 1	Bit 0
AUX1	CLRWDT	CLRTM3	TKSOC	ADSOC	CLRPWM0	T2SEL	T1SEL	DPSEL
R/W	R/W	R/W	R/W	R/W	R/W	R/W	R/W	R/W
Reset	0	0	0	0	0	0	0	0

F8h.0 **DPSEL:** Active DPTR Select

1.5 Program Status Word (PSW)

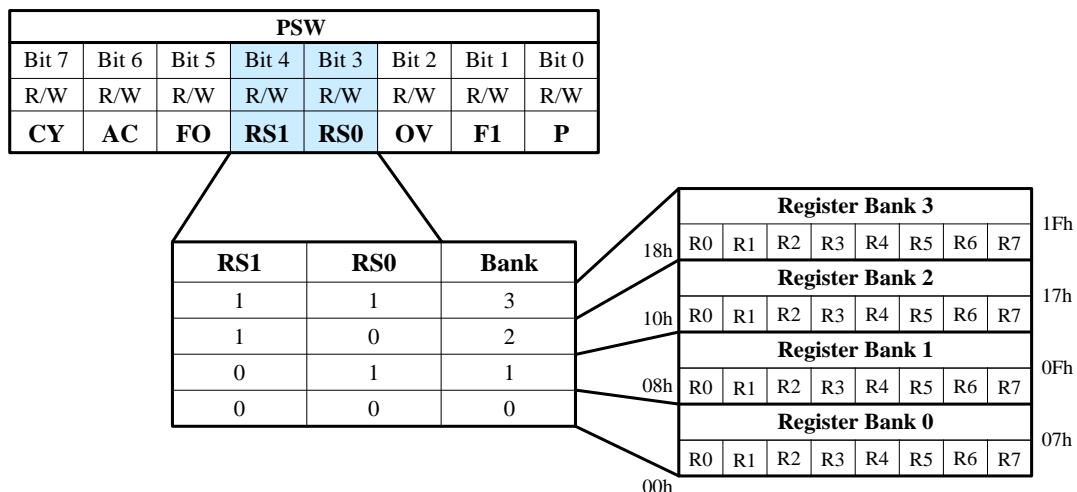
This register contains status information resulting from CPU and ALU operations. The instructions that affect the PSW are listed below.

Instruction	Flag			Instruction	Flag		
	C	OV	AC		C	OV	AC
ADD	X	X	X	CLR C	0		
ADDC	X	X	X	CPL C	X		
SUBB	X	X	X	ANL C, bit	X		
MUL	0	X		ANL C, /bit	X		
DIV	0	X		ORL C, bit	X		
DA	X			ORL C, /bit	X		
RRC	X			MOV C, bit	X		
RLC	X			CJNE	X		
SETB C	1						

A “0” means the flag is always cleared, a “1” means the flag is always set and an “X” means that the state of the flag depends on the result of the operation.

SFR D0h	Bit 7	Bit 6	Bit 5	Bit 4	Bit 3	Bit 2	Bit 1	Bit 0
PSW	CY	AC	F0	RS1	RS0	OV	F1	P
R/W	R/W	R/W	R/W	R/W	R/W	R/W	R/W	R/W
Reset	0	0	0	0	0	0	0	0

- D0h.7 **CY**: ALU carry flag
- D0h.6 **AC**: ALU auxiliary carry flag
- D0h.5 **F0**: General purpose user-definable flag
- D0h.4~3 **RS1, RS0**: The contents of (RS1, RS0) enable the working register banks as:
 - 00: Bank 0 (00h~07h)
 - 01: Bank 1 (08h~0Fh)
 - 10: Bank 2 (10h~17h)
 - 11: Bank 3 (18h~1Fh)
- D0h.2 **OV**: ALU overflow flag
- D0h.1 **F1**: General purpose user-definable flag
- D0h.0 **P**: Parity flag. Set/cleared by hardware each instruction cycle to indicate odd/even number of “one” bits in the accumulator.



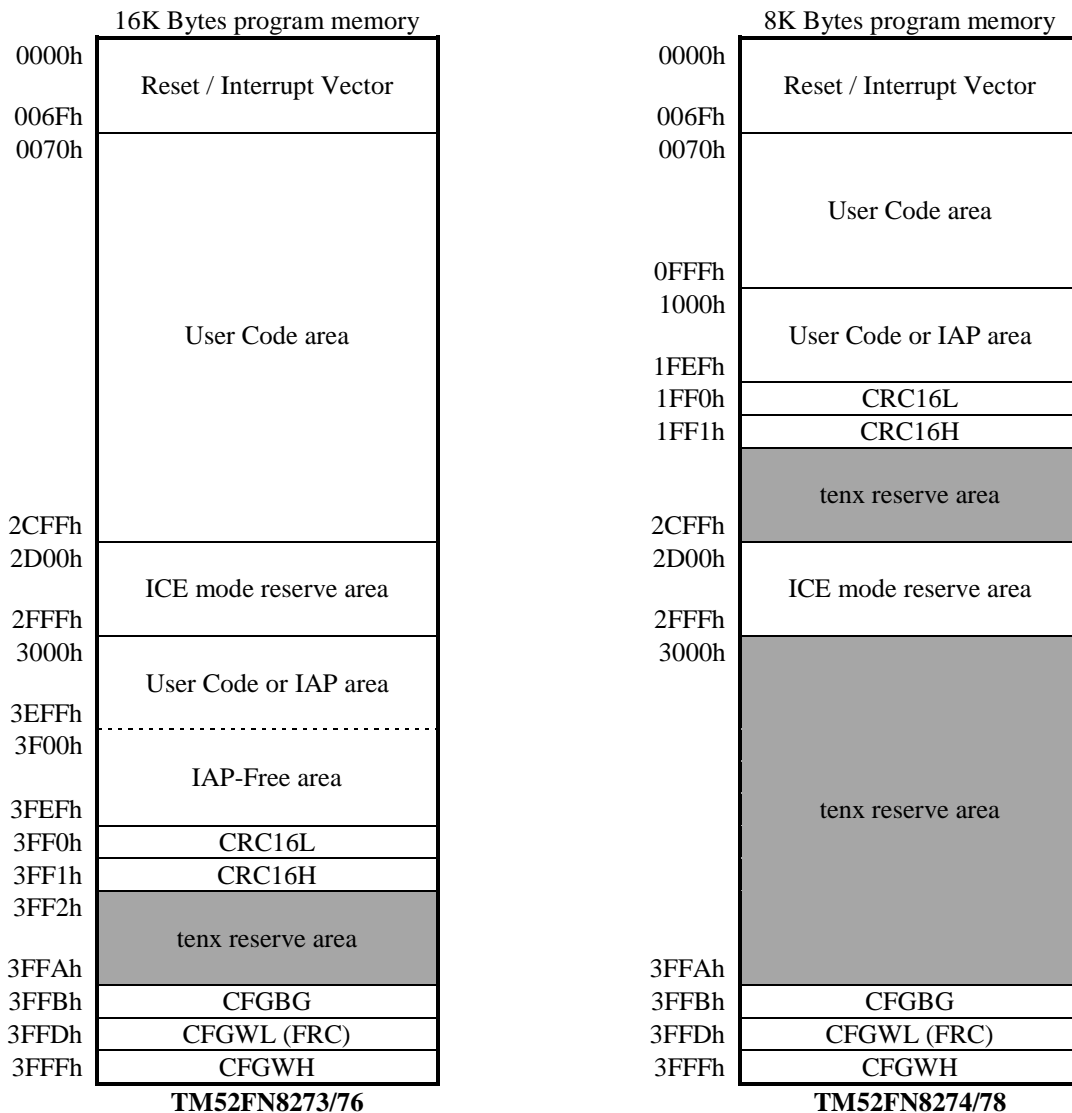
2. Memory

2.1 Program Memory

The Chip has a 16K Bytes Flash program memory for **TM52FN8273/76**, and an 8K Bytes Flash program memory for **TM52FN8274/78** which can support In Circuit Programming (ICP), In Application Programming (IAP) and In System Programming (ISP) function modes. The Flash write endurance is at least 10K cycles. The program memory address continuous space (0000h~3FFFh) is partitioned to several sectors for device operation.

2.1.1 Program Memory Functional Partition

The last 16 bytes (3FF0h~3FFFh) of program memory is defined as chip Configuration Word (CFGW), which is loaded into the device control registers upon power on reset (POR). The 0000h~006Fh is occupied by Reset/Interrupt vectors as standard 8051 definition. For **TM52FN8273/76**, the address space 3000h~3FEFh is defined as the IAP area. For **TM52FN8274/78**, the address space 1000h~1FEFh is defined as the IAP area. In the in-circuit emulation (ICE) mode, user also needs to reserve the address space 2D00h~2FFFh for ICE System communication. CRC16H/L is the reserved area of the checksum. Tenx can provide a CRC verification subroutine. The user can calculate the checksum by the CRC verification subroutine to compare with CRC16H/L and check the validity of the ROM code.


TM52FN8273/76
TM52FN8274/78

2.1.2 Flash ICP Mode

The Flash memory can be programmed by the tenx proprietary writer (**TWR99/TWR100**), which needs at least four wires (VCC, VSS, P3.0 and P3.1) to connect to this chip. If user wants to program the Flash memory on the target circuit board (In Circuit Program, ICP), these pins must be reserved sufficient freedom to be connected to the Writer.

Writer wire number	Pin connection
4-Wire	VCC, VSS, P3.0, P3.1

2.1.3 Flash IAP Mode

The **FN8273/76/74/78** has “In Application Program” (IAP) capability, which allows software to read/write data from/to the Flash memory during CPU run time as conveniently as data EEPROM access. The IAP function is byte writable, meaning that the **FN8273/76/74/78** does not need to erase one Flash page before write. The available IAP data space is 240 Bytes after chip reset, and can be re-defined by the “MVCLOCK” and “IAPALL” control register as shown below.

16K Bytes Flash Program memory		Flash memory	MVCLOCK	IAPALL	MOVC Accessible	MOVX (IAP) Accessible
0000h	MOVC-Lock area	0000h~01FFh	1	X	No	No
01FFh			0	0	Yes	No
0200h			0	1	Yes	Yes
0200h	IAP-All area	0200h~3EFFh	X	0	Yes	No
3EFFh			X	1	Yes	Yes
3F00h	IAP-Free area	3F00h~3FEFh	X	X	Yes	Yes
3FEFh	CFGW area	3FF0h~3FF7h	X	X	Yes	Yes
3FF0h			X	0	Yes	No
			X	1	Yes	Yes
3FFFh			X	X	Yes	No

In IAP mode, the program Flash memory is separated into four sectors: MOVC-Lock area, IAP-All area, IAP-Free area, and CFGW area. These four sectors are regulated differently.

In the **MOVC-Lock area**, IAP read/write is limited by MVCLOCK bit, which can be set to control the accessibility of the MOVC and MOVX instructions to this area. The size of this area is 512 Bytes. The lock function is made to protect the main program code against unconsciously writing Flash memory in IAP mode. Locking or unlocking the function should be performed by the tenx TWR98/99 writing to the CFGW in Flash memory.

The **IAP-All area** is protected by the IAPALL register to prevent IAP mode from writing application data to the program area, resulting in a program code error that cannot be repaired. The size of this area is 15616 Bytes. Enabling IAPALL requires writing 65h to SFR SWCMD 97h to set the IAPALL control flag. Then, software can use MOVX instructions to write application data to flash memory from 0200h to 3EFFh. If user wants to disable IAPALL function, user can write other values to SFR SWCMD 97h to clear the IAPALL control flag. User must be careful not to overwrite program code which is already resided on the same Flash memory area.

The **IAP-Free area** has no control bit to protect. It can be used to reliably store system application data that needs to be programmed once or periodically during system operation. Other areas of Flash memory can be used to store data, but this area is usually better. The size of this area is 240 Bytes, equivalent to an EEPROM, and Flash memory can provide byte access to read and write commands. The **FN8273/76/74/78** has a physical 128 byte EEPROM memory. It has the wider writing voltage range and the better write endurance than Flash memory. It is recommended to use EEPROM memory to store application data first.

The **CFGW area** has 3 data bytes (CFGWH, CFGWL and CFGBG), which is located at the last 16 addresses of Flash memory. The CFGWH is not accessible to IAP, while the CFGWL and CFGBG can be read or written by IAP in case the IAPALL flag is set. CFGWL is copied to the SFR F6h and CFGBG is copied to the SFR F5h after power on reset, software then take over CFGWL's and CFGBG's control capability by modifying the SFR F6h and F5h.

2.1.4 IAP Mode Access Routines

Flash IAP Write is simply achieved by a “MOVX @DPTR, A” instruction while the DPTR contains the target Flash address (0000h~3F00h), and the ACC contains the data being written. The **FN8273/76/74/78** accepts IAP write command only when IAPWE=1. Flash IAP writing one byte requires approximately 1 ms @V_{CC}=5.0V. Meanwhile, the CPU stays in a waiting state, but all peripheral modules (Timers, LED, and others) continue running during the writing time. The software must handle the pending interrupts after an IAP write. The **FN8273/76/74/78** has a build-in IAP Time-out function for escaping write fail state. Flash IAP writing needs higher V_{CC} voltage, V_{CC}>4.0V.

Because the Program memory and the IAP data space share the same entity, a **Flash IAP Read** can be performed by the “MOVX A, @DPTR” or “MOVX A, @DPTR” instruction as long as the target address points to the 0000h~3F00h area. A Flash IAP read does not require extra CPU wait time.

```

; IAP example code (ASM)
; need 4.0V < VCC < 5.5V
MOV    DPTR, #3F00h      ; DPTR=3F00h=target IAP address
MOV    A, #5Ah           ; A=5Ah=target IAP write data
MOV    IAPWE, #47h      ; IAP write enable
MOV    AUX2, #02h       ; IAP Time-Out function enable
MOVX   @DPTR, A         ; Flash[3F00h] =5Ah, after IAP write
                        ; 1ms~2ms H/W writing time, CPU wait
MOV    IAPWE, #00h      ; IAP write disable, immediately after IAP write
CLR    A                 ; A=0
MOVX   A, @DPTR         ; A=5Ah
CLR    A                 ; A=0
MOVX   A, @A+DPTR       ; A=5Ah

```

```

; IAP example code (C)
; need 4.0V < VCC < 5.5V
unsigned char xdata PROM[4096] _at_ 0x2000 // 0x2000 = start address
unsigned char code CODE[4096] _at_ 0x2000 // 0x2000 = start address

```

```

IAPALL = 0x65;
IAPWE = 0x47;
PROM[0x02] = wdata; // write data into ROM[0x2002]
IAPWE = 0x00;
IAPALL = 0x00;

```

```

rdata = CODE[0x105]; // read data from ROM[0x2105]

```

Flash 3FFFh	Bit 7	Bit 6	Bit 5	Bit 4	Bit 3	Bit 2	Bit 1	Bit 0
CFGWH	PROT	XRSTE	LVRE			PREAD	MVCLOCK	FRCPSC

3FFFh.1 **MVCLOCK:** If 1, the MOVC & MOVX instruction's accessibility to MOVC-Lock area is limited.

SFR 97h	Bit 7	Bit 6	Bit 5	Bit 4	Bit 3	Bit 2	Bit 1	Bit 0
SWCMD	IAPALL/SWRST							
	-						WDTO	IAPALL
R/W	W						R	R
Reset	-						0	0

97h.7~0 **IAPALL (W):** Write 65h to set IAPALL control flag; Write other value to clear IAPALL flag. It is recommended to clear it immediately after IAP access.

97h.0 **IAPALL (R):** Flag indicates Flash memory sectors can be accessed by IAP or not. This bit combines with MVCLOCK to define the accessible IAP area.

SFR C9h	Bit 7	Bit 6	Bit 5	Bit 4	Bit 3	Bit 2	Bit 1	Bit 0
IAPWE	IAPWE/EEPWE							
	IAPWE	IAPTO	EEPWE	-				
R/W	R	R	R	W				
Reset	0	0	0	-				

C9h.7~0 **IAPWE (W):** Write 47h to set IAPWE control flag; Write E2h to set EEPWE control flag; Write other value to clear IAPWE and EEPWE flag. It is recommended to clear it immediately after IAP or EEPROM write.

C9h.7 **IAPWE (R):** Flag indicates Flash memory can be written by IAP or not, 1=IAP Write enable.

C9h.6 **IAPTO (R):** IAP (or EEPROM write) Time-Out flag, Set by H/W when IAP (or EEPROM write) Time-out occurs. Cleared by H/W when IAPWE=0 (or EEPWE=0).

SFR F7h	Bit 7	Bit 6	Bit 5	Bit 4	Bit 3	Bit 2	Bit 1	Bit 0
AUX2	WDTE		PWRSAV	VBGOUT	-	IAPTE		LVRPD
R/W	R/W	R/W	R/W	R/W	-	R/W		R/W
Reset	0	0	0	0	-	1	1	0

F7h.2~1 **IAPTE:** IAP (or EEPROM) write watchdog timer enable

00: Disable

01: wait 1.5ms trigger watchdog time-out flag, and escape the write fail state

10: wait 5.8ms trigger watchdog time-out flag, and escape the write fail state

11: wait 11.7ms trigger watchdog time-out flag, and escape the write fail state

2.1.5 Flash ISP Mode

The “In System Programming” (ISP) usage is similar to IAP, except the purpose is to refresh the Program code. User can use UART/SPI or other method to get new Program code from external host, then writes code as the same way as IAP. ISP operation is complicated; basically it needs to assign a Boot code area to the Flash which does not change during the ISP process.

2.2 EEPROM Memory

The **FN8273/76/74/78** contains 128 bytes of data EEPROM memory. It is organized as a separate data space, in which single bytes can be read and written. The EEPROM has an endurance of at least 50K write/erase cycles.

EEPROM Memory	
EE00h	EEPROM[0]
EE02h	EEPROM[1]
EE04h	.
	.
	.
EEFCh	EEPROM[126]
EEFEh	EEPROM[127]

(Only even addresses can be used, odd addresses are invalid)

The EEPROM Write usage is similar to Flash IAP mode. It is simply achieved by a “MOVX @DPTR, A” instruction while the DPTR contains the target EEPROM address (EE00h~EEFEh, ADDR=ADDR+2), and the ACC contains the data being written. EEPROM writing requires approximately 2 ms @ $V_{CC}=3.0V$, 1 ms @ $V_{CC}=5.0V$. Meanwhile, the CPU stays in a waiting state, but all peripheral modules (Timers, LED, and others) continue running during the writing time. The software must handle the pending interrupts after an EEPROM write. The **FN8273/76/74/78** has a build-in EEPROM Time-out function shared with Flash IAP for escaping write fail state. EEPROM writing needs $V_{CC}>3.0V$.

The EEPROM Read can be performed by the “MOVX A, @DPTR” instruction as long as the target address points to the EE00h~EEFEh area. The EEPROM read does require approximately 300ns.

```

; EEPROM example code
; need 3.0V < VCC < 5.5V
MOV    DPTR, #0EE00h    ; DPTR=EE00h=target EEPROM[0] address
MOV    A, #0A5h        ; A=A5h=target EEPROM[0] write data
MOV    EEPWE, #0E2h    ; EEPROM write enable
MOV    AUX2, #004h     ; EEPROM Time-Out function enable
MOVX   @DPTR, A        ; EEPROM[0]=A5h, after EEPROM write
                        ; 1ms~2ms H/W writing time, CPU wait
MOV    EEPWE, #000h    ; EEPROM write disable, immediately after EEPROM write
CLR    A                ; A=0
MOVX   A, @DPTR        ; A=A5h
    
```

SFR C9h	Bit 7	Bit 6	Bit 5	Bit 4	Bit 3	Bit 2	Bit 1	Bit 0
IAPWE	IAPWE/EEPWE							
	IAPWE	IAPTO	EEPWE	-				
R/W	R	R	R	W				
Reset	0	0	0	-				

C9h.7~0 **EEPWE (W)**: Write 47h to set IAPWE control flag; Write E2h to set EEPWE control flag; Write other value to clear IAPWE and EEPWE flag. It is recommended to clear it immediately after IAP or EEPROM write.

C9h.6 **IAPTO (R)**: IAP (or EEPROM write) Time-Out flag, Set by H/W when IAP (or EEPROM write) Time-out occurs. Cleared by H/W when IAPWE=0 (or EEPWE=0).

C9h.5 **EEPWE (R)**: Flag indicates EEPROM memory can be written or not, 1=EEPROM Write enable.

SFR F7h	Bit 7	Bit 6	Bit 5	Bit 4	Bit 3	Bit 2	Bit 1	Bit 0
AUX2	WDTE		PWRSVAV	VBGOUT	-	IAPTE		LVRPD
R/W	R/W	R/W	R/W	R/W	-	R/W		R/W
Reset	0	0	0	0	-	1	1	0

F7h.2~1 **IAPTE**: IAP (or EEPROM write) watchdog timer enable

00: Disable

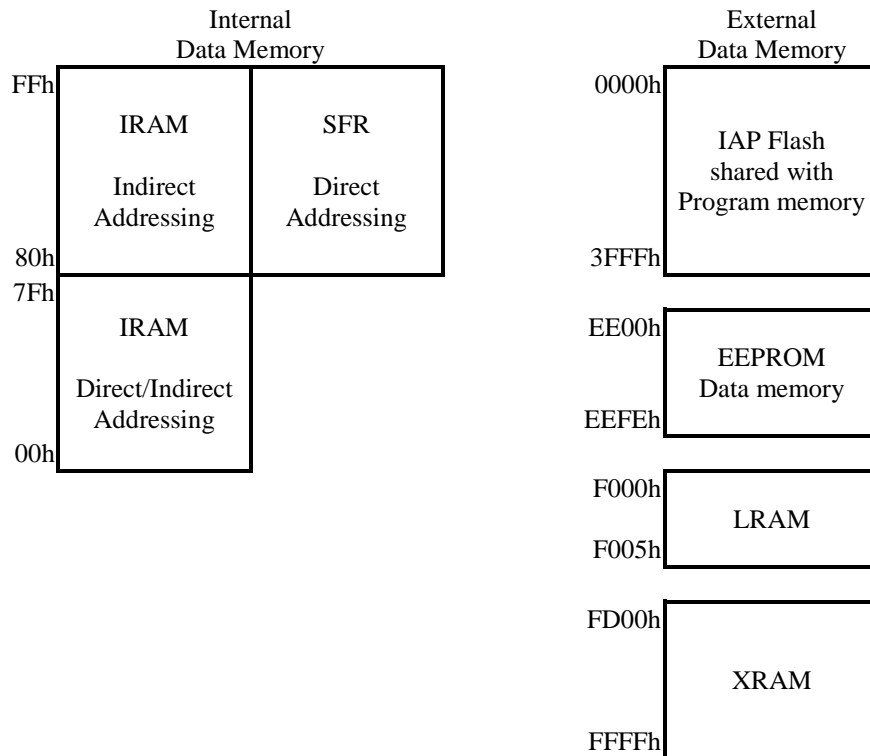
01: wait 1.5ms trigger watchdog time-out flag, and escape the write fail state

10: wait 5.8ms trigger watchdog time-out flag, and escape the write fail state

11: wait 11.7ms trigger watchdog time-out flag, and escape the write fail state

2.3 Data Memory

As the standard 8051, the Chip has both Internal and External Data Memory space. The Internal Data Memory space consists of 256 Bytes IRAM and 74 SFRs, which are accessible through a rich instruction set. The External Data Memory space consists of 768 Bytes XRAM, 6 Bytes LCD RAM, 128 Bytes EEPROM and IAP Flash, which can be only accessed by MOVX instruction.



2.3.1 IRAM

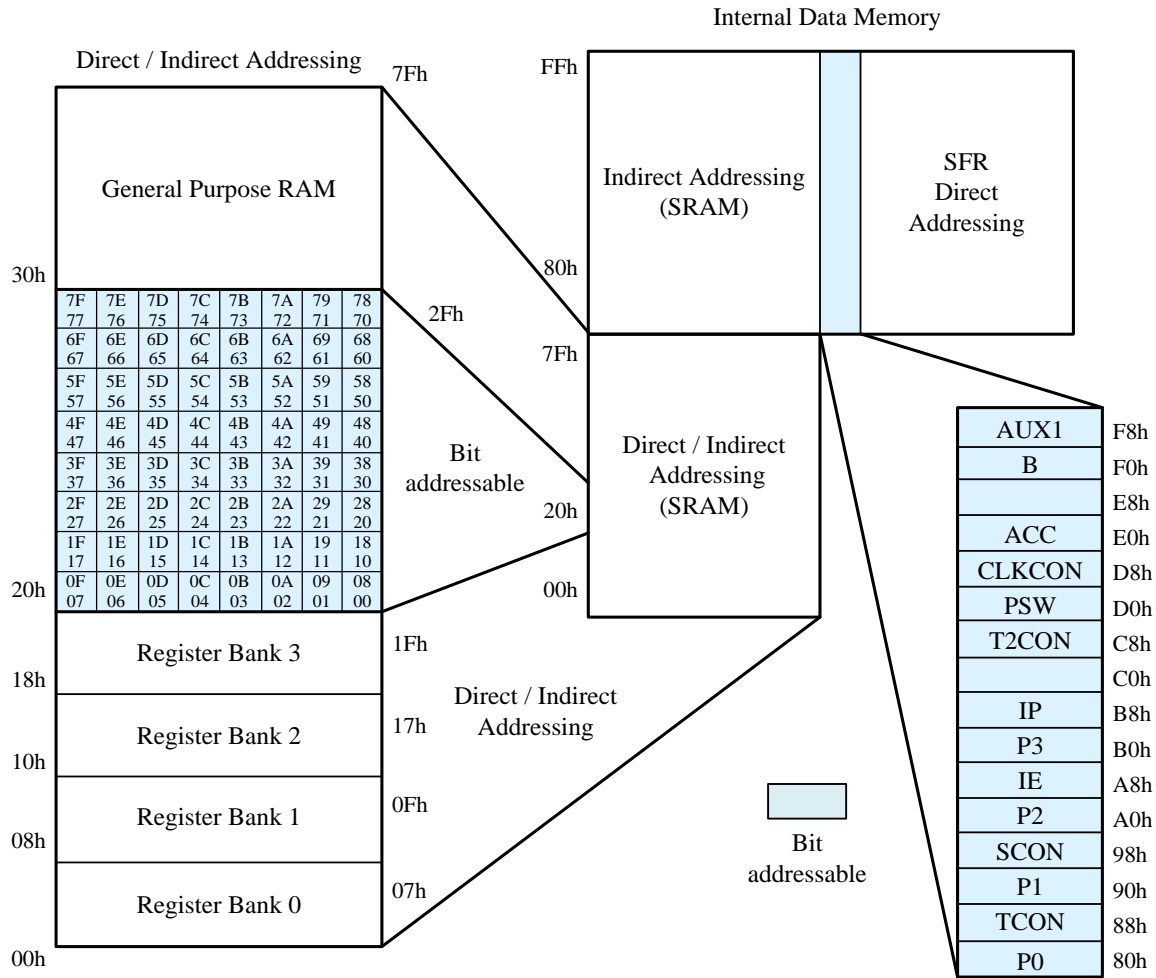
IRAM is located in the 8051 internal data memory space. The whole 256 Bytes IRAM are accessible using indirect addressing but only the lower 128 Bytes are accessible using direct addressing. There are four directly addressable register banks (switching by PSW), which occupy IRAM space from 00h to 1Fh. The address 20h to 2Fh 16 Bytes IRAM space is bit-addressable. IRAM can be used as scratch pad registers or program stack.

2.3.2 XRAM

XRAM is located in the 8051 external data memory space (address from FD00h to FFFFh). The 768 Bytes XRAM can be only accessed by “MOVX” instruction.

2.3.3 SFRs

All peripheral functional modules such as I/O ports, Timers and UART operations for the chip are accessed via Special Function Registers (SFRs). These registers occupy upper 128 Bytes of direct Data Memory space locations in the range 80h to FFh. There are 14 bit-addressable SFRs (which means that eight individual bits inside a single byte are addressable), such as ACC, B register, PSW, TCON, SCON, and others. The remaining SFRs are only byte addressable. SFRs provide control and data exchange with the resources and peripherals of the Chip. The TM52 series of microcontrollers provides complete binary code with standard 8051 instruction set compatibility. Beside the standard 8051 SFRs, the Chip implements additional SFRs used to configure and access subsystems such as the ADC/LED/LCD, which are unique to the Chip.



	8/0	9/1	A/2	B/3	C/4	D/5	E/6	F/7
F8h	AUX1							
F0h	B	CRCDL	CRCDH	CRCIN		CFGBG	CFGWL	AUX2
E8h								AUX3
E0h	ACC					EFTCON		
D8h	CLKCON							
D0h	PSW	P1LOE	P2LOE	P3LOE				
C8h	T2CON	IAPWE	RCP2L	RCP2H	TL2	TH2		
C0h								
B8h	IP	IPH	IP1	IP1H	SPCON	SPSTA	SPDAT	
B0h	P3	LEDCON	LEDCON2		TKTMRL	TKCON2	ADCHS	TKDHH
A8h	IE	INTE1	ADTKDT	ADCDH	TKDL	TKFREQ	TKCON	P0ADIE
A0h	P2	PWMCON	P1MODL	P1MODH	P3MODL	P3MODH	PINMOD	PWMCON2
98h	SCON	SBUF	PWM0PRD	PWM0DH	PWM1PRD	PWM1DH	PWM2PRD	PWM2DH
90h	P1	P0OE	P0LOE	P2MOD	OPTION	INTFLG	P1WKUP	SWCMD
88h	TCON	TMOD	TL0	TL1	TH0	TH1	SCON2	SBUF2
80h	P0	SP	DPL	DPH				PCON

3. LVR setting

The Chip offers LVR functions. There are 8-level LVR can be selected by CFGWH. The SFR LVRPD and PWRSAV bits also affect LVR function as tables below.

Operation Mode	SFR		CFGWH	LVR	Function	Note
	LVRPD	PWRSAV	LVRE			
Fast Slow	0	X	000	ON	LV Reset 2.2V	
	0	X	001	ON	LV Reset 2.5V	
	0	X	010	ON	LV Reset 2.8V	
	0	X	011	ON	LV Reset 3.1V	
	0	X	100	ON	LV Reset 3.4V	
	0	X	101	ON	LV Reset 3.7V	
	0	X	110	ON	LV Reset 4.0V	
	0	X	111	ON	LV Reset 4.3V	
Idle Stop Halt	0	0	000	ON	LV Reset 2.2V	Current consumption about 60~100uA
	0	0	001	ON	LV Reset 2.5V	
	0	0	010	ON	LV Reset 2.8V	
	0	0	011	ON	LV Reset 3.1V	
	0	0	100	ON	LV Reset 3.4V	
	0	0	101	ON	LV Reset 3.7V	
	0	0	110	ON	LV Reset 4.0V	
	0	0	111	ON	LV Reset 4.3V	
Idle	0	1	XXX	ON	Disable LVR Enable POR 1.90V	Current consumption about 40uA
Stop Halt	0	1	XXX	OFF	Disable	Minimum Current consumption
Fast Slow Idle	1	X	XXX	ON	Disable LVR Enable POR 1.90V	Current consumption about 40uA
Stop Halt	1	X	XXX	OFF	Disable	Minimum Current consumption

Note: The current consumption of Halt mode is more than Stop mode about 5~23uA, because SRC is enabled.

SFR F7h	Bit 7	Bit 6	Bit 5	Bit 4	Bit 3	Bit 2	Bit 1	Bit 0
AUX2	WDTE		PWRSAV	VBGOUT	–	IAPTE		LVRPD
R/W	R/W	R/W	R/W	R/W	–	R/W		R/W
Reset	0	0	0	0	–	1	1	0

F7h.5 **PWRSAV:** Power save
Set 1 to reduce the chip's power consumption at Idle/Halt/Stop mode

F7h.0 **LVRPD:** LVR power down
0: LVR enable
1: LVR disable

Flash 3FFFh	Bit 7	Bit 6	Bit 5	Bit 4	Bit 3	Bit 2	Bit 1	Bit 0
CFGWH	PROT	XRSTE	LVRE			PREAD	MVCLOCK	FRCPSC

3FFFh.5~3 **LVRE:** Low Voltage Reset function select
 000: Set LVR at 2.2V 100: Set LVR at 3.4V
 001: Set LVR at 2.5V 101: Set LVR at 3.7V
 010: Set LVR at 2.8V 110: Set LVR at 4.0V
 011: Set LVR at 3.1V 111: Set LVR at 4.3V

4. Reset

The Chip has five types of reset methods. Resets can be caused by Power on Reset (POR), External Pin Reset (XRST), Software Command Reset (SWRST), Watchdog Timer Reset (WDTR), or Low Voltage Reset (LVR). The CFGWH controls the Reset functionality. The SFRs are returned to their default value after Reset.

4.1 Power on Reset

After Power on Reset, the device stays on Reset state for 40 ms as chip warm up time, then downloads the CFGW register from ROM's last six bytes. The Power on Reset needs VCC pin's voltage first discharge to near VSS level, then rise beyond 2.2V.

4.2 External Pin Reset

External Pin Reset is active low. It needs to keep at least 2 SRC clock cycle long to be seen by the Chip. External Pin Reset can be disabled or enabled by CFGW.

4.3 Software Command Reset

Software Reset is activated by writing the SFR 97h with data 56h.

4.4 Watchdog Timer Reset

WDT overflow Reset is disabled or enabled by SFR F7h. The WDT uses SRC as its counting time base. It runs in Fast/Slow mode and runs or stops in Idle/Halt/Stop mode. WDT overflow speed can be defined by WDTOSC SFR. WDT is cleared by device Reset or CLRWDT SFR bit.

4.5 Low Voltage Reset

The Chip offers 8 options for LVR function. The user can make a selection by CFGWH, let LVR voltages of 4.3V, 4.0V, 3.7V, 3.4V, 3.1V, 2.8V, 2.5V and 2.2V be selected separately.

Note: LVR must be enable, also refer to AP-TM52XXXXX_02S for LVR setting information

Flash 3FFFh	Bit 7	Bit 6	Bit 5	Bit 4	Bit 3	Bit 2	Bit 1	Bit 0
CFGWH	PROT	XRSTE	LVRE			PREAD	MVCLOCK	FRCPSC

3FFFh.6 **XRSTE:** External Pin Reset control

0: Disable External Pin Reset

1: Enable External Pin Reset

3FFFh.5~3 **LVRE:** Low Voltage Reset function select

000: Set LVR at 2.2V 100: Set LVR at 3.4V

001: Set LVR at 2.5V 101: Set LVR at 3.7V

010: Set LVR at 2.8V 110: Set LVR at 4.0V

011: Set LVR at 3.1V 111: Set LVR at 4.3V

SFR 94h	Bit 7	Bit 6	Bit 5	Bit 4	Bit 3	Bit 2	Bit 1	Bit 0
OPTION	UART1W	–	WDTOSC		ADCKS		–	–
R/W	R/W	–	R/W		R/W		–	–
Reset	0	–	0	0	0	0	–	–

94h.5~4 **WDTOSC:** Watchdog Timer pre-scalar time select

00: 400ms WDT overflow rate

01: 200ms WDT overflow rate

10: 100ms WDT overflow rate

11: 50ms WDT overflow rate

SFR 97h	Bit 7	Bit 6	Bit 5	Bit 4	Bit 3	Bit 2	Bit 1	Bit 0
SWCMD	IAPALL/SWRST							
R/W	W						R/W	R/W
Reset	-						-	0

97h.7~0 **SWRST**: Write 56h to generate S/W Reset

SFR F7h	Bit 7	Bit 6	Bit 5	Bit 4	Bit 3	Bit 2	Bit 1	Bit 0
AUX2	WDTE		PWRSVAV	VBGOUT	-	IAPTE		LVRPD
R/W	R/W	R/W	R/W	R/W	-	R/W		R/W
Reset	0	0	0	0	-	1	1	0

F7h.7~6 **WDTE**: Watchdog Timer Reset control

0x: Watchdog Timer Reset disable

10: Watchdog Timer Reset enable in Fast/Slow mode, disable in Idle/Halt/Stop mode

11: Watchdog Timer Reset always enable

SFR F8h	Bit 7	Bit 6	Bit 5	Bit 4	Bit 3	Bit 2	Bit 1	Bit 0
AUX1	CLRWDT	CLRTM3	TKSOC	ADSOC	CLRPWM0	T2SEL	T1SEL	DPSEL
R/W	R/W	R/W	R/W	R/W	R/W	R/W	R/W	R/W
Reset	0	0	0	0	0	0	0	0

F8h.7 **CLRWDT**: Set to clear WDT, H/W auto clear it at next clock cycle

5. Clock Circuitry & Operation Mode

5.1 System Clock

The Chip is designed with dual-clock system. During runtime, user can directly switch the System clock from fast to slow or from slow to fast. It also can directly select a clock divider of 1, 2, 4 or 16. The Fast clock can be selected as FXT (Fast Crystal, 1~16 MHz) or FRC (Fast Internal RC, 14.7456 MHz). The Slow clock can be selected as SXT (Slow Crystal, 32 KHz) or SRC (Slow Internal RC, 80 KHz). Fast mode and Slow mode are defined as the CPU running at Fast and Slow clock speeds.

After Reset, the device is running at Slow mode with 80 KHz SRC. S/W should select the proper clock rate for chip operation safety. The higher V_{CC} allows the chip to run at a higher System clock frequency. In a typical condition, a 16 MHz System clock rate requires $V_{CC} > 2.2V$.

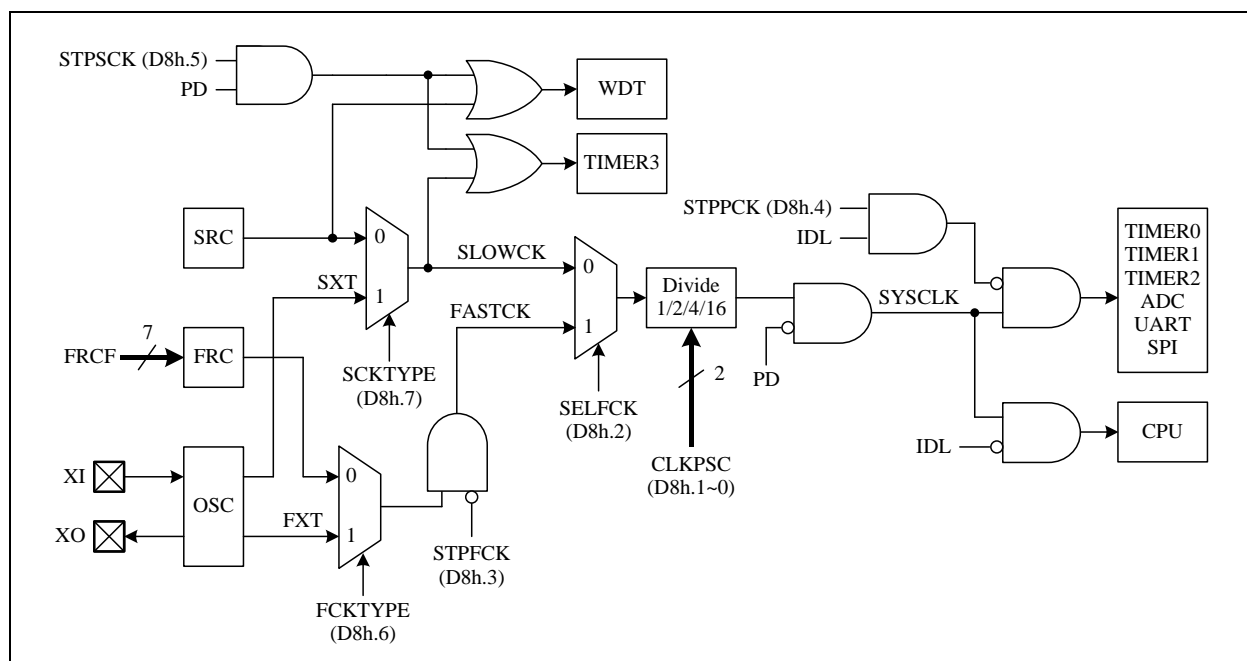
The Chip has an external oscillators connected to the XI/XO pins. It relies on external circuitry for the clock signal and frequency stabilization, such as a stand-alone oscillator, quartz crystal, or ceramic resonator. In Fast mode, the fast oscillator can be used in the range from 1~16 MHz. In Slow mode, the slow oscillator can only use a clock frequency of 32.768 KHz.

The **CLKCON** SFR controls the System clock operating. H/W automatically blocks the S/W abnormally setting for this register. S/W can only change the Slow clock type in Fast mode and change the Fast clock type in Slow mode. Never to write both STPFCK=1 & SELFCK=1. It is recommended to write this SFR bit by bit.

If user wants to switch Fsys from Slow clock to FXT, user should be following the step below

1. Set FCKTYPE (D8h.6)
2. Wait 2ms until FXT oscillation stable
3. Set SELFCK (D8h.2)

The chip can also output the "System clock divided by 2" signal (CKO) to P1.4 pin. CKO pin's output setting is controlled by TCOE SFR (*see Chapter 7*).



Clock Structure

Note: Because of the CLKPSC delay, it needs to wait for 16 clock cycles (max.) before switching Slow clock to Fast clock. Also refer to AP-TM52XXXXX_01S and AP-TM52XXXXX_02S about System Clock Application Note.

SYSCLK	CLKCON (D8h)			
	bit7 SCKTYPE	bit6 FCKTYPE	bit3 STPFCK	bit2 SELFCK
Fast FXT	0/1	1	0	1
Fast FRC	0/1	0	0	1
Slow SXT	1	0/1	0/1	0
Slow SRC	0	0/1	0/1	0
Fast type change	0/1	0 ← → 1	0/1	0
Slow type change	0 ← → 1	0/1	0	1
Stop FRC/FXT	0/1	0/1	0 → 1	0
Switch to FRC/FXT	0/1	0/1	0	0 → 1
Switch to SRC/SXT	0/1	0/1	0	1 → 0

Flash 3FFDh	Bit 7	Bit 6	Bit 5	Bit 4	Bit 3	Bit 2	Bit 1	Bit 0
CFGWL	–	FRCF						

3FFDh.6~0 **FRCF**: FRC frequency adjustment.

FRC is trimmed to 14.7456 MHz in chip manufacturing. FRCF records the adjustment data.

SFR F6h	Bit 7	Bit 6	Bit 5	Bit 4	Bit 3	Bit 2	Bit 1	Bit 0
CFGWL	–	FRCF						
R/W	–	R/W						
Reset	–	–	–	–	–	–	–	–

F6h.6~0 **FRCF**: FRC frequency adjustment

00h= lowest frequency, 7Fh=highest frequency.

SFR D8h	Bit 7	Bit 6	Bit 5	Bit 4	Bit 3	Bit 2	Bit 1	Bit 0
CLKCON	SCKTYPE	FCKTYPE	STPSCK	STPPCK	STPFCK	SELFCK	CLKPSC	
R/W	R/W	R/W	R/W	R/W	R/W	R/W	R/W	
Reset	0	0	1	0	0	0	1	1

D8h.7 **SCKTYPE**: Slow clock type. This bit can be changed only in Fast mode (SELFCK=1).

0: SRC

1: SXT, P2.0 and P2.1 are crystal pins

D8h.6 **FCKTYPE**: Fast clock type. This bit can be changed only in Slow mode (SELFCK=0).

0: FRC

1: FXT, P2.0 and P2.1 are crystal pins, oscillator gain is high for FXT

D8h.5 **STPSCK**: Set 1 to stop Slow clock in Stop mode.

D8h.4 **STPPCK**: Set 1 to stop UARTs/Timer0/Timer1/Timer2/ADC clock in Idle mode for current reducing. If set, only Timer3 and pin interrupts are alive in Idle mode.

D8h.3 **STPFCK**: Set 1 to stop Fast clock for power saving in Slow/Idle mode. This bit can be changed only in Slow mode.

D8h.2 **SELFCK**: System clock source selection. This bit can be changed only when STPFCK=0.

0: Slow clock

1: Fast clock

D8h.1~0 **CLKPSC**: System clock prescaler. Effective after 16 clock cycles (Max.) delay.

00: System clock is Fast/Slow clock divided by 16

01: System clock is Fast/Slow clock divided by 4

10: System clock is Fast/Slow clock divided by 2

11: System clock is Fast/Slow clock divided by 1

5.2 Operation Modes

There are five operation modes for this device. **Fast Mode** is defined as the CPU running at Fast clock speed. **Slow Mode** is defined as the CPU running at Slow clock speed. When the System clock speed is lower, the power consumption is lower.

Idle Mode is entered by setting the IDL bit in PCON SFR. Both Fast and Slow clock can be set as the System clock source in Idle Mode, but Slow clock is better for power saving. In Idle mode, the CPU puts itself to sleep while the on-chip peripherals stay active. The “STPPCK” bit in CLKCON SFR can be set to furthermore reduce Idle mode current. If STPPCK is set, only Timer3 and pin interrupts are alive in Idle Mode, others peripherals such as Timer0/1/2, UARTs and ADC are stop. The slower System clock rate also helps current saving. It can be achieved by setup the CLKPSC SFR to divide System clock frequency. Idle mode is terminated by Reset or enabled Interrupts wake up.

Stop Mode is entered by setting the PD bit in PCON SFR and STPSCK is set. This mode is the so-called “Power Down” mode in standard 8051. In Stop mode, all clocks stop except the WDT could be alive if it is enabled. Stop Mode is terminated by Reset or pin wake up.

Halt Mode is entered by setting the PD bit in PCON SFR and STPSCK is cleared. In Halt mode, all clocks stop except the Timer3 and WDT could be alive if they are enabled. Halt Mode is terminated by Reset, pin wake up or Timer3 interrupt.

Note: Chip cannot enter Halt/Stop mode if INTn pin is low and wakeup is enable. (INTn=0 and EXn=1, n=0,1,2)

Note: FW must turn off Bandgap to obtain Tiny Current (VBGOUT=0)

SFR 87h	Bit 7	Bit 6	Bit 5	Bit 4	Bit 3	Bit 2	Bit 1	Bit 0
PCON	SMOD	–	–	–	GF1	GF0	PD	IDL
R/W	R/W	–	–	–	R/W	R/W	R/W	R/W
Reset	0	–	–	–	0	0	0	0

87h.1 **PD:** Power down control bit, set 1 to enter Halt/Stop mode.

87h.0 **IDL:** Idle mode control bit, set 1 to enter Idle mode.

SFR D8h	Bit 7	Bit 6	Bit 5	Bit 4	Bit 3	Bit 2	Bit 1	Bit 0
CLKCON	SCKTYPE	FCKTYPE	STPSCK	STPPCK	STPFCK	SELFCK	CLKPSC	
R/W	R/W	R/W	R/W	R/W	R/W	R/W	R/W	
Reset	0	0	1	0	0	0	1	1

D8h.7 **SCKTYPE:** Slow clock type. This bit can be changed only in Fast mode (SELFCK=1).

0: SRC 1: SXT

D8h.6 **FCKTYPE:** Fast clock type. This bit can be changed only in Slow mode (SELFCK=0).

0: FRC 1: FXT

D8h.5 **STPSCK:** Set 1 to stop Slow clock in Stop mode.

D8h.4 **STPPCK:** Set 1 to stop UART/Timer0/Timer1/Timer2/ADC clock in Idle mode for current reducing. If set, only Timer3 and pin interrupts are alive in Idle mode.

D8h.3 **STPFCK:** Set 1 to stop Fast clock for power saving in Slow/Idle mode. This bit can be changed only in Slow mode.

D8h.2 **SELFCK:** System clock source selection. This bit can be changed only when STPFCK=0.

0: Slow clock 1: Fast clock

D8h.1~0 **CLKPSC:** System clock prescaler. Effective after 16 clock cycles (Max.) delay.

00: System clock is Fast/Slow clock divided by 16

01: System clock is Fast/Slow clock divided by 4

10: System clock is Fast/Slow clock divided by 2

11: System clock is Fast/Slow clock divided by 1

SFR F7h	Bit 7	Bit 6	Bit 5	Bit 4	Bit 3	Bit 2	Bit 1	Bit 0
AUX2	WDTE		PWRSV	VBGOUT	–	IAPTE		LVRPD
R/W	R/W	R/W	R/W	R/W	–	R/W		R/W
Reset	0	0	0	0	–	1	1	0

F7h.4 **VBGOUT:** Bandgap voltage output to P3.2, when ADCHS = 1011b
 0: Disable
 1: Enable

6. Interrupt & Wake-up

This Chip has a 12-source four-level priority interrupt structure. All enabled Interrupts can wake up CPU from Idle mode, but only the Pin Interrupts can wake up CPU from Halt/Stop mode. Each interrupt source has its own enable control bit. An interrupt event will set its individual Interrupt Flag, no matter whether its interrupt enable control bit is 0 or 1. The Interrupt vectors and flags are list below.

Vector	Flag	Description
0003	IE0	INT0 external pin Interrupt (can wake up Halt/Stop mode)
000B	TF0	Timer0 Interrupt
0013	IE1	INT1 external pin Interrupt (can wake up Halt/Stop mode)
001B	TF1	Timer1 Interrupt
0023	RI+TI	Serial Port (UART1) Interrupt
002B	TF2+EXF2	Timer2 Interrupt
0033	–	Reserved for ICE mode use
003B	TF3	Timer3 Interrupt
0043	P1IF	P1.0~P1.3 external pin change Interrupt (can wake up Halt/Stop mode)
004B	IE2	INT2 external pin Interrupt (can wake up Halt/Stop mode)
0053	ADIF+TKIF	ADC/Touch Key Interrupt
005B	SPIF+WCOL+MODF	SPI Interrupt
0063	RI2+TI2	Serial Port (UART2) Interrupt

Interrupt Vector & Flag

6.1 Interrupt Enable and Priority Control

The IE and INTE1 SFRs decide whether the pending interrupt is serviced by CPU. The P1WKUP SFR controls the individual Port1 pin's wake-up and interrupt capability. The IP, IPH, IP1 and IP1H SFRs decide the interrupt priority. An interrupt will be serviced as long as an interrupt of equal or higher priority is not already being serviced. If an interrupt of equal or higher level priority is being serviced, the new interrupt will wait until it is finished before being serviced. If a lower priority level interrupt is being serviced, it will be stopped and the new interrupt serviced. When the new interrupt is finished, the lower priority level interrupt that was stopped will be completed.

SFR 96h	Bit 7	Bit 6	Bit 5	Bit 4	Bit 3	Bit 2	Bit 1	Bit 0
P1WKUP	–	–	–	–	P1WKUP			
R/W	–	–	–	–	R/W			
Reset	0	0	0	0	0	0	0	0

96h.7~4 **Reserved, Keep 0**

96h.3~0 **P1WKUP:** P1.3~P1.0 pin individual Wake-up / Interrupt enable control

0: Disable

1: Enable

SFR A8h	Bit 7	Bit 6	Bit 5	Bit 4	Bit 3	Bit 2	Bit 1	Bit 0
IE	EA	–	ET2	ES	ET1	EX1	ET0	EX0
R/W	R/W	–	R/W	R/W	R/W	R/W	R/W	R/W
Reset	0	–	0	0	0	0	0	0

- A8h.7 **EA**: Global interrupt enable control.
 0: Disable all Interrupts.
 1: Each interrupt is enabled or disabled by its individual interrupt control bit
- A8h.5 **ET2**: Timer2 interrupt enable
 0: Disable Timer2 interrupt
 1: Enable Timer2 interrupt
- A8h.4 **ES**: Serial Port (UART1) interrupt enable
 0: Disable Serial Port (UART1) interrupt
 1: Enable Serial Port (UART1) interrupt
- A8h.3 **ET1**: Timer1 interrupt enable
 0: Disable Timer1 interrupt
 1: Enable Timer1 interrupt
- A8h.2 **EX1**: External INT1 pin Interrupt enable and Halt/Stop mode wake up enable
 0: Disable INT1 pin Interrupt and Halt/Stop mode wake up
 1: Enable INT1 pin Interrupt and Halt/Stop mode wake up, it can wake up CPU from Halt/Stop mode no matter EA is 0 or 1.
- A8h.1 **ET0**: Timer0 interrupt enable
 0: Disable Timer0 interrupt
 1: Enable Timer0 interrupt
- A8h.0 **EX0**: External INT0 pin Interrupt enable and Halt/Stop mode wake up enable
 0: Disable INT0 pin Interrupt and Halt/Stop mode wake up
 1: Enable INT0 pin Interrupt and Halt/Stop mode wake up, it can wake up CPU from Halt/Stop mode no matter EA is 0 or 1.

SFR A9h	Bit 7	Bit 6	Bit 5	Bit 4	Bit 3	Bit 2	Bit 1	Bit 0
INTE1	–	–	ES2	SPIE	ADTKIE	EX2	P1IE	TM3IE
R/W	–	–	R/W	R/W	R/W	R/W	R/W	R/W
Reset	–	–	0	0	0	0	0	0

- A9h.5 **ES2**: Serial Port (UART2) interrupt enable
 0: Disable Serial Port (UART2) interrupt
 1: Enable Serial Port (UART2) interrupt
- A9h.4 **SPIE**: SPI interrupt enable
 0: Disable SPI interrupt
 1: Enable SPI interrupt
- A9h.3 **ADTKIE**: ADC/Touch Key interrupt enable
 0: Disable ADC/Touch Key interrupt
 1: Enable ADC/Touch Key interrupt
- A9h.2 **EX2**: External INT2 pin Interrupt enable and Halt/Stop mode wake up enable
 0: Disable INT2 pin Interrupt and Halt/Stop mode wake up
 1: Enable INT2 pin Interrupt and Halt/Stop mode wake up, it can wake up CPU from Halt/Stop mode no matter EA is 0 or 1.
- A9h.1 **P1IE**: P1.0~P1.3 pin change interrupt enable. This bit does not affect the P1.0~P1.3 pin's Halt/Stop mode wake up capability.
 0: Disable P1.0~P1.3 pin change interrupt
 1: Enable P1.0~P1.3 pin change interrupt
- A9h.0 **TM3IE**: Timer3 interrupt enable
 0: Disable Timer3 interrupt
 1: Enable Timer3 interrupt

SFR B9h	Bit 7	Bit 6	Bit 5	Bit 4	Bit 3	Bit 2	Bit 1	Bit 0
IPH	–	–	PT2H	PSH	PT1H	PX1H	PT0H	PX0H
R/W	–	–	R/W	R/W	R/W	R/W	R/W	R/W
Reset	–	–	0	0	0	0	0	0

SFR B8h	Bit 7	Bit 6	Bit 5	Bit 4	Bit 3	Bit 2	Bit 1	Bit 0
IP	–	–	PT2	PS	PT1	PX1	PT0	PX0
R/W	–	–	R/W	R/W	R/W	R/W	R/W	R/W
Reset	–	–	0	0	0	0	0	0

B9h.5, B8h.5 **PT2H, PT2** : Timer2 Interrupt Priority control. (PT2H, PT2) =

11: Level 3 (highest priority)

10: Level 2

01: Level 1

00: Level 0 (lowest priority)

B9h.4, B8h.4 **PSH, PS** : Serial Port (UART1) Interrupt Priority control. Definition as above.

B9h.3, B8h.3 **PT1H, PT1** : Timer1 Interrupt Priority control. Definition as above.

B9h.2, B8h.2 **PX1H, PX1** : External INT1 pin Interrupt Priority control. Definition as above.

B9h.1, B8h.1 **PT0H, PT0** : Timer0 Interrupt Priority control. Definition as above.

B9h.0, B8h.0 **PX0H, PX0** : External INT0 pin Interrupt Priority control. Definition as above.

SFR BBh	Bit 7	Bit 6	Bit 5	Bit 4	Bit 3	Bit 2	Bit 1	Bit 0
IP1H	–	–	PS2H	PSPIH	PADTKIH	PX2H	PP1H	PT3H
R/W	–	–	R/W	R/W	R/W	R/W	R/W	R/W
Reset	–	–	0	0	0	0	0	0

SFR BAh	Bit 7	Bit 6	Bit 5	Bit 4	Bit 3	Bit 2	Bit 1	Bit 0
IP1	–	–	PS2	PSPI	PADTKI	PX2	PP1	PT3
R/W	–	–	R/W	R/W	R/W	R/W	R/W	R/W
Reset	–	–	0	0	0	0	0	0

BBh.5, BAh.5 **PS2H, PS2** : Serial Port (UART2) Interrupt Priority control. Definition as above.

BBh.4, BAh.4 **PSPIH, PSPI** : SPI Interrupt Priority control. Definition as above.

BBh.3, BAh.3 **PADTKIH, PADTKI** : ADC/Touch Key Interrupt Priority control. Definition as above.

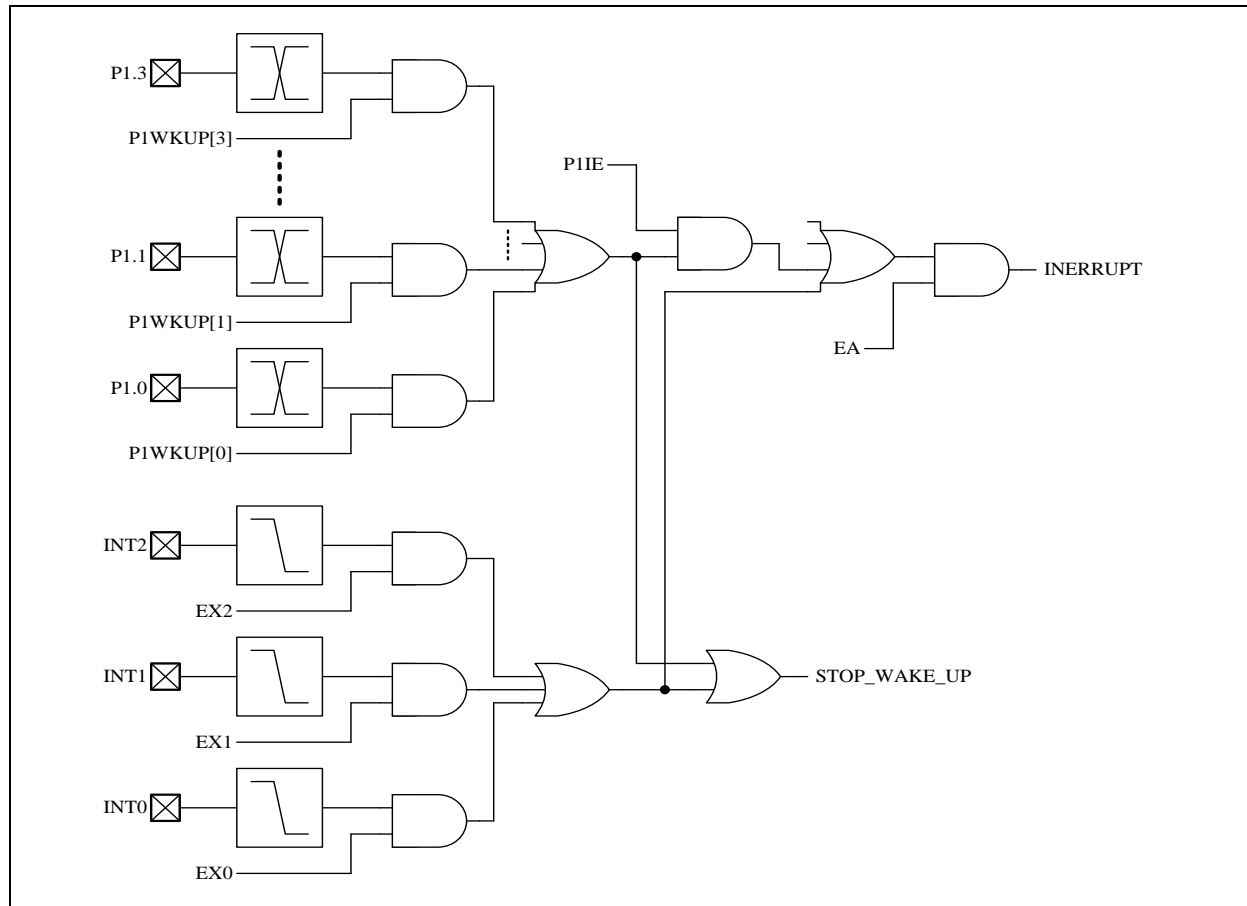
BBh.2, BAh.2 **PX2H, PX2** : External INT2 pin Interrupt Priority control. Definition as above.

BBh.1, BAh.1 **PP1H, PP1** : P1.0~P1.3 Pin Change Interrupt Priority control. Definition as above.

BBh.0, BAh.0 **PT3H, PT3** : Timer3 Interrupt Priority control. Definition as above.

6.2 Pin Interrupt

Pin Interrupts include INT0 (P3.2), INT1 (P3.3), INT2 (P3.7) and P1.0~P1.3 Change Interrupt. These pins also have the Halt/Stop mode wake up capability. INT0 and INT1 are falling edge or low level triggered as the 8051 standard. INT2 is falling edge triggered and P1.0~P1.3 Pin Change Interrupt is triggered by any P1.0~P1.3 pin state change.



Pin Interrupt & Wake up

Note: Chip cannot enter Halt/Stop mode if INTn pin is low and wakeup is enabled. (INTn=0 and EXn=1, n=0~2)

SFR 88h	Bit 7	Bit 6	Bit 5	Bit 4	Bit 3	Bit 2	Bit 1	Bit 0
TCON	TF1	TR1	TF0	TR0	IE1	IT1	IE0	IT0
R/W	R/W	R/W	R/W	R/W	R/W	R/W	R/W	R/W
Reset	0	0	0	0	0	0	0	0

- 88h.3 **IE1:** External Interrupt 1 (INT1 pin) edge flag.
Set by H/W when an INT1 pin falling edge is detected, no matter the EX1 is 0 or 1.
It is cleared automatically when the program performs the interrupt service routine.
- 88h.2 **IT1:** External Interrupt 1 control bit
0: Low level active (level triggered) for INT1 pin
1: Falling edge active (edge triggered) for INT1 pin
- 88h.1 **IE0:** External Interrupt 0 (INT0 pin) edge flag
Set by H/W when an INT0 pin falling edge is detected, no matter the EX0 is 0 or 1.
It is cleared automatically when the program performs the interrupt service routine.
- 88h.0 **IT0:** External Interrupt 0 control bit
0: Low level active (level triggered) for INT0 pin
1: Falling edge active (edge triggered) for INT0 pin

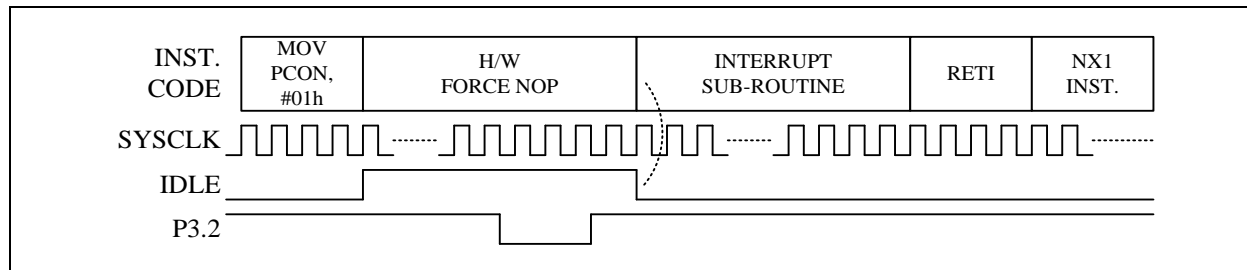
SFR 95h	Bit 7	Bit 6	Bit 5	Bit 4	Bit 3	Bit 2	Bit 1	Bit 0
INTFLG	–	–	TKIF	ADIF	–	IE2	P1IF	TF3
R/W	–	–	R/W	R/W	–	R/W	R/W	R/W
Reset	–	–	0	0	–	0	0	0

- 95h.2 **IE2:** External Interrupt 2 (INT2 pin) edge flag
 Set by H/W when a falling edge is detected on the INT2 pin, no matter the EX2 is 0 or 1.
 It is cleared automatically when the program performs the interrupt service routine.
 S/W can write FBh to INTFLG to clear this bit. (*Note*)
- 95h.1 **P1IF:** P1.0~P1.3 pin change interrupt flag
 Set by H/W when a P1.0~P1.3 pin state change is detected and its interrupt enable bit is set (P1WKUP). P1IE does not affect this flag's setting.
 It is cleared automatically when the program performs the interrupt service routine.
 S/W can write FDh to INTFLG to clear this bit. (*Note*)

Note: S/W can write 0 to clear a flag in the INTFLG, but writing 1 has no effect.

6.3 Idle mode Wake up and Interrupt

Idle mode is waked up by enabled Interrupts, which means individual interrupt enable bit (ex: EX0) and EA bit must be both set to 1 to establish Idle mode wake up capability. All enabled Interrupts (Pins, Timers, ADC, TK, SPI and UARTs) can wake up CPU from Idle mode. Upon Idle wake-up, Interrupt service routine is entered immediately. “The first instruction behind IDL (PCON.0) setting” is executed after interrupt service routine return.



EA=EX0=1, Idle mode wake-up and Interrupt by P3.2 (INT0)

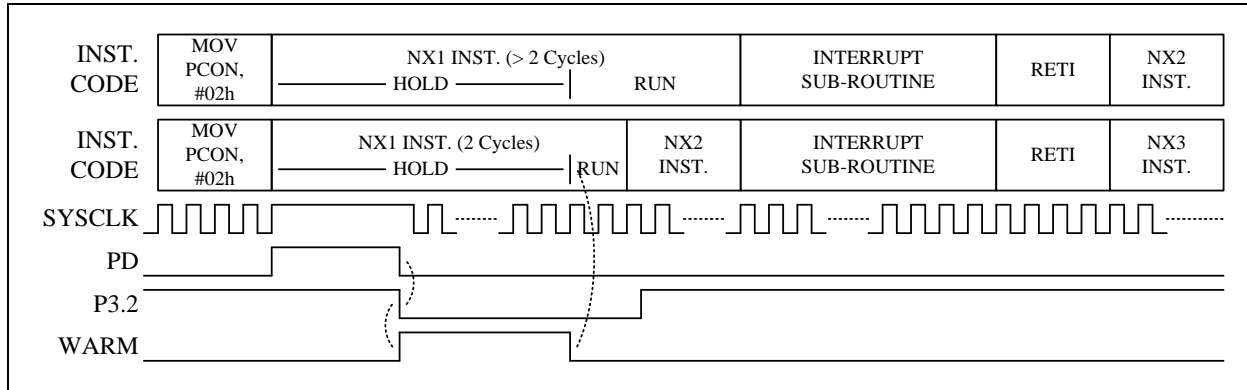
SFR 87h	Bit 7	Bit 6	Bit 5	Bit 4	Bit 3	Bit 2	Bit 1	Bit 0
PCON	SMOD	–	–	–	GF1	GF0	PD	IDL
R/W	R/W	–	–	–	R/W	R/W	R/W	R/W
Reset	0	–	–	–	0	0	0	0

- 87h.1 **PD:** Power down control bit, set 1 to enter Halt/Stop mode.
 87h.0 **IDL:** Idle mode control bit, set 1 to enter Idle mode.

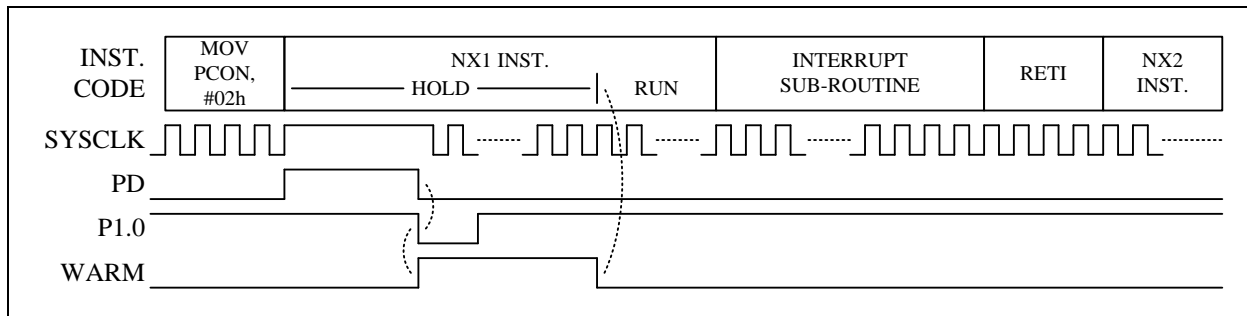
6.4 Halt/Stop mode Wake up and Interrupt

Halt/Stop mode wake up is simple, as long as the individual pin interrupt enable bit (ex: EX0) is set, the pin wake up capability is asserted. Set EX0/EX1/EX2 can enable INT0/INT1/INT2 pins' Halt/Stop mode wake up capability. Set P1WKUP bit 3~0 can enable P1.3~P1.0's Halt/Stop mode wake up capability. Upon Halt/Stop wake up, “the first instruction behind PD setting (PCON.1)” is executed immediately before Interrupt service. Interrupt entry requires EA=1 (P1WKUP also needs P1IE=1) and trigger state of the pin staying sufficiently long to be observed by the System clock. This feature allows CPU to enter or not enter Interrupt sub-routine after Halt/Stop mode wake up.

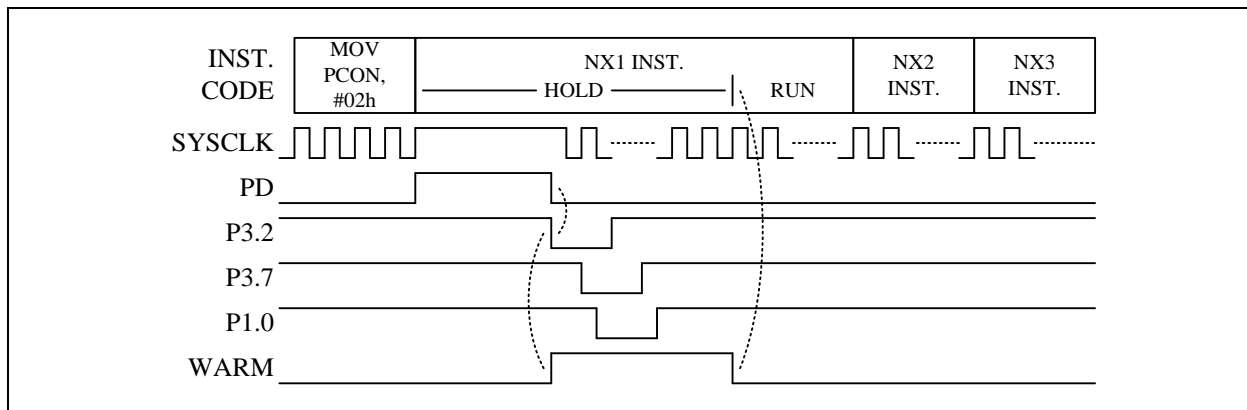
Note: It is recommended to place the NX1/NX2 with NOP Instruction in figures below.



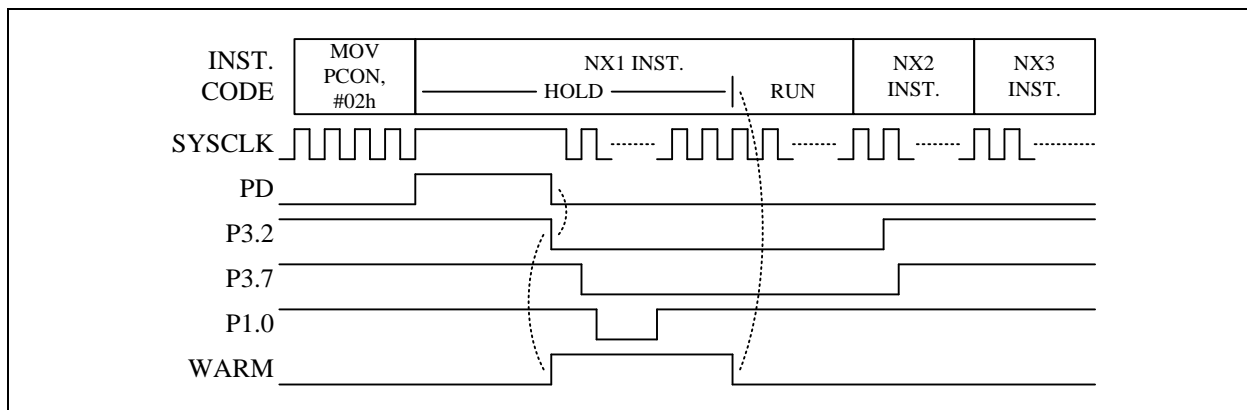
EA=EX0=1, P3.2 (INT0) is sampled after warm-up, Halt/Stop mode wake-up and Interrupt



EA=P1IE=P1WKUP=1, P1.0 change (not need clock sample), Halt/Stop mode wake-up and Interrupt



EA=EX0=EX2=P1WKUP=1, P1IE=0, Halt/Stop mode wake-up but not Interrupt. P3.2/P3.7 pulse too narrow



EX0=EX2=P1WKUP=P1IE=1, EA=0, Halt/Stop mode wake-up but not Interrupt

7. I/O Ports

The Chip has total 26 multi-function I/O pins. All I/O pins follow the standard 8051 “Read-Modify-Write” feature. The instructions that read the SFR rather than the Pin State are the ones that read a port or port bit value, possibly change it, and then rewrite it to the SFR (ex: ANL P1, A; INC P2; CPL P3.0).

7.1 Port1 & P2.1~P2.0 & Port 3

These pins can operate in four different modes as below.

Mode	Port1, P2.1~P2.0, Port3 pin function		Px.n SFR data	Pin State	Resistor Pull-up	Digital Input
	P3.0~P3.2	Others				
Mode 0	Pseudo Open Drain	Open Drain	0	Drive Low	N	N
			1	Pull-up	Y	Y
Mode 1	Pseudo Open Drain	Open Drain	0	Drive Low	N	N
			1	Hi-Z	N	Y
Mode 2	CMOS Output		0	Drive Low	N	N
			1	Drive High	N	N
Mode 3	Analog input for ADC, digital input buffer is disabled		X (don't care)	-	N	N

I/O Pin Function Table

If a Port1, P2.1~P2.0 or Port3 pin is used for Schmitt-trigger input, S/W must set the I/O pin to Mode0 or Mode1 and set the corresponding Port Data SFR to 1 to disable the pin’s output driving circuitry.

Beside I/O port function, each Port1, P2.1~P2.0 and Port3 pin has one or more alternative functions, such as LCD, LED, ADC and Touch Key. Most of the functions are activated by setting the individual pin mode control SFR to Mode3. Port1/Port3 pins have standard 8051 auxiliary definition such as INT0/1, T0/1/2, or RXD/TXD. These pin functions need to set the pin mode SFR to Mode0 or Mode1 and keep the P1.n/P3.n SFR at 1.

Pin Name	8051	Wake-up	CKO	ADC	TK	LCD	LED	others	Mode3
P1.0	T2	Y	T2O	AD4	TK4	LCDC10			AD4
P1.1	T2EX	Y		AD5	TK5	LCDC11			AD5
P1.2		Y		AD6	TK6	LCDC12		PWM0	AD6
P1.3		Y		AD7	TK7	LCDC13		PWM1	AD7
P1.4		Y	CKO	AD8	TK8	LCDC14			AD8
P1.5		Y		AD9	TK14	LCDC15			AD9
P1.6		Y			TK9	LCDC16		PWM2	
P1.7	TXD2	Y			TK16	LCDC17		MISO	
P3.0	RXD			AD3	TK3	LCDC30			AD3
P3.1	TXD			AD2	TK2	LCDC31			AD2
P3.2	INT0	Y		AD1	TK1	LCDC32		VBGO	AD1
P3.3	INT1	Y		AD0	TK0	LCDC33			AD0
P3.4	T0		T0O		TK13	LCDC34	LEDS3	SS	
P3.5	T1				TK18	LCDC35	LEDS0	MOSI	
P3.6	RXD2				TK17	LCDC36	LEDS1	SCK	
P3.7	INT2	Y			TK19	LCDC37	LEDS2	RSTn	
P2.0						LCDC20	LEDS4	XI	
P2.1						LCDC21	LEDS5	XO	

Port1, P2.1~P2.0, Port3 multi-function Table

The necessary SFR setting for Port1/P2.1~P2.0/Port3 pin's alternative function is list below.

Alternative Function	Mode	Px.n SFR data	Pin State	Other necessary SFR setting
T0, T1, T2, T2EX, INT0, INT1, INT2	0	1	Input with Pull-up	
	1	1	Input	
RXD, TXD	0	1	Input with Pull-up / Pseudo Open Drain Output	
	1	1	Input / Pseudo Open Drain Output	
RXD2, TXD2	0	1	Input with Pull-up / Open Drain Output	
	1	1	Input / Open Drain Output	
T00, T20, CKO	0	X	Clock Open Drain Output with Pull-up	PINMOD
	1	X	Clock Open Drain Output	
	2	X	Clock Output (CMOS Push-Pull)	
VBGO	X	X	Bandgap Voltage output	VBGOUT ADCHS
LCDC10~ LCDC17 LCDC20~ LCDC21 LCDC30~ LCDC37	X	X	1/2 Vcc Bias Output	P1LOE P2LOE P3LOE
LEDS0~ LEDS5 (Note)	X	X	LED Waveform Output	LEDCON
TK0~TK14 TK16~TK19	0	1	Touch Key Idling, Pull-up	TKCHS
			Touch Key Scanning	
	2	X	Touch Key Idling, CMOS Push-Pull	
			Touch Key Scanning	
AD0~AD9	3	X	ADC Channel	ADCHS
PWM0~PWM2	0	X	PWM Open Drain Output with Pull-up	PINMOD PWMCON2
	1	X	PWM Open Drain Output	
	2	X	PWM Output (CMOS Push-Pull)	
SPI Master Mode MISO	1	1	SPI Data Input	SPCON
SPI Master Mode SCK, MOSI	2	X	SPI Clock/Data Output (CMOS Push-Pull)	SPCON
SPI Slave Mode MISO	2	X	SPI Data Output (CMOS Push-Pull)	SPCON
SPI Slave Mode SCK, MOSI	1	1	SPI Clock/Data Input	SPCON
SS	1	1	SPI Chip Selection	SPCON
XI, XO	0	1	Crystal oscillation	CLKCON

Mode Setting for Port1, P2.1~P2.0, Port3 Alternative Function

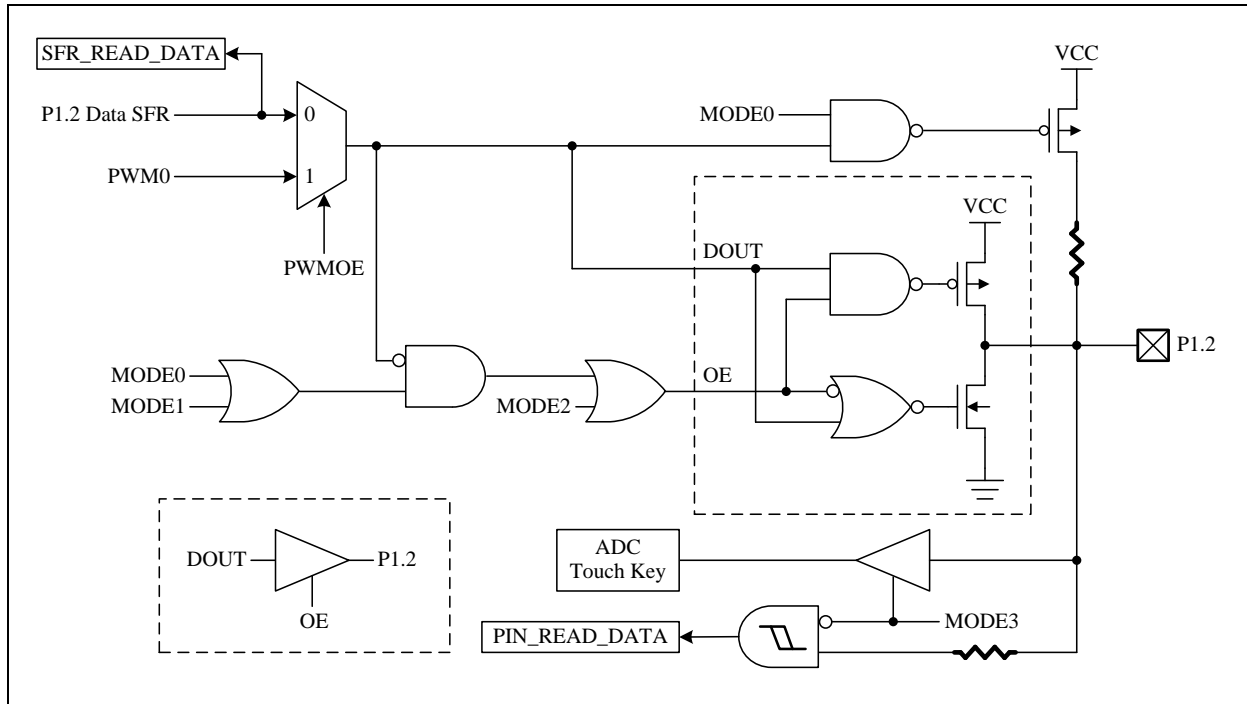
For tables above, a “**CMOS Output**” pin means it can sink and drive at least 4 mA current. It is not recommended to use such pin as input function.

An “**Open Drain**” pin means it can sink at least 4 mA current but only drive a small current (<20 μ A). It can be used as input or output function and typically needs an external pull up resistor.

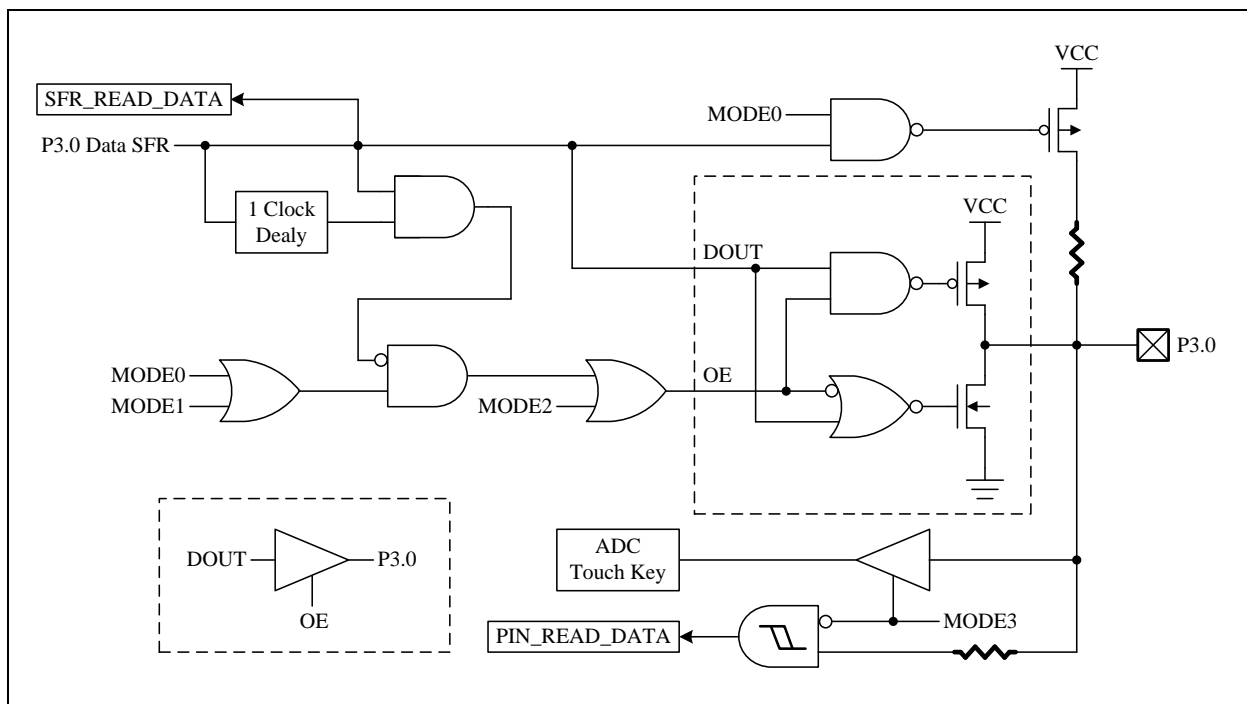
An 8051 standard pin is a “**Pseudo Open Drain**” pin. It can sink at least 4 mA current when output is at low level, and drives at least 4 mA current for 1~2 clock cycle when output transits from low to high, then keeps driving a small current (<20 μ A) to maintain the pin at high level. It can be used as input or output function.

Note: for the necessary SFR setting above, LCD/LED pin has the highest priority. Therefore, if a pin is not used for Segment (ex: pin is I/O, ADC, TK, and SPI...), S/W must disable the LCD/LED function.

The chip also supports I/O High-sink function. It is an option and is turned on by default. For efficient control, we divide the High-sink pins into three groups (Group 0: P00~P03, P20, P21, P34~P37; Group 1: P04, P05, P10~P17; Group 2: P06, P07, P22~P25, P30~P33). It is enabled by setting SFR HSNK0EN, HSNK1EN and HSNK2EN.



P1.2 Pin Structure



P3.0 Pin Structure

SFR 90h	Bit 7	Bit 6	Bit 5	Bit 4	Bit 3	Bit 2	Bit 1	Bit 0
P1	P1.7	P1.6	P1.5	P1.4	P1.3	P1.2	P1.1	P1.0
R/W	R/W	R/W	R/W	R/W	R/W	R/W	R/W	R/W
Reset	1	1	1	1	1	1	1	1

90h.7~0 **P1:** Port1 data

SFR A0h	Bit 7	Bit 6	Bit 5	Bit 4	Bit 3	Bit 2	Bit 1	Bit 0
P2	P2.7	P2.6	P2.5	P2.4	P2.3	P2.2	P2.1	P2.0
R/W	R/W	R/W	R/W	R/W	R/W	R/W	R/W	R/W
Reset	1	1	1	1	1	1	1	1

A0h.1~0 **P2.1~P2.0:** P2.1~P2.0 data

SFR B0h	Bit 7	Bit 6	Bit 5	Bit 4	Bit 3	Bit 2	Bit 1	Bit 0
P3	P3.7	P3.6	P3.5	P3.4	P3.3	P3.2	P3.1	P3.0
R/W	R/W	R/W	R/W	R/W	R/W	R/W	R/W	R/W
Reset	1	1	1	1	1	1	1	1

B0h.7~0 **P3:** Port1 data

SFR D8h	Bit 7	Bit 6	Bit 5	Bit 4	Bit 3	Bit 2	Bit 1	Bit 0
CLKCON	SCKTYPE	FCKTYPE	STPSCK	STPPCK	STPFCK	SELFCK	CLKPSC	
R/W	R/W	R/W	R/W	R/W	R/W	R/W	R/W	
Reset	0	0	1	0	0	0	1	1

D8h.7 **SCKTYPE:** Slow clock type. This bit can be changed only in Fast mode (SELFCK=1).

0: SRC

1: SXT, P2.0 and P2.1 are crystal pins

D8h.6 **FCKTYPE:** Fast clock type. This bit can be changed only in Slow mode (SELFCK=0).

0: FRC

1: FXT, P2.0 and P2.1 are crystal pins, oscillator gain is high for FXT

SFR A2h	Bit 7	Bit 6	Bit 5	Bit 4	Bit 3	Bit 2	Bit 1	Bit 0
P1MODL	P1MOD3		P1MOD2		P1MOD1		P1MOD0	
R/W	R/W		R/W		R/W		R/W	
Reset	0	1	0	1	0	1	0	1

- A2h.7~6 **P1MOD3**: P1.3 pin control
 00: Mode0
 01: Mode1
 10: Mode2
 11: Mode3, P1.3 is ADC input
- A2h.5~4 **P1MOD2**: P1.2 pin control
 00: Mode0
 01: Mode1
 10: Mode2
 11: Mode3, P1.2 is ADC input
- A2h.3~2 **P1MOD1**: P1.1 pin control
 00: Mode0
 01: Mode1
 10: Mode2
 11: Mode3, P1.1 is ADC input
- A2h.1~0 **P1MOD0**: P1.0 pin control
 00: Mode0
 01: Mode1
 10: Mode2
 11: Mode3, P1.0 is ADC input

SFR A3h	Bit 7	Bit 6	Bit 5	Bit 4	Bit 3	Bit 2	Bit 1	Bit 0
P1MODH	P1MOD7		P1MOD6		P1MOD5		P1MOD4	
R/W	R/W		R/W		R/W		R/W	
Reset	0	1	0	1	0	1	0	1

- A3h.7~6 **P1MOD7**: P1.7 pin control
 00: Mode0
 01: Mode1
 10: Mode2
 11: Mode3
- A3h.5~4 **P1MOD6**: P1.6 pin control
 00: Mode0
 01: Mode1
 10: Mode2
 11: Mode3
- A3h.3~2 **P1MOD5**: P1.5 pin control.
 00: Mode0
 01: Mode1
 10: Mode2
 11: Mode3, P1.5 is ADC input
- A3h.1~0 **P1MOD4**: P1.4 pin control.
 00: Mode0
 01: Mode1
 10: Mode2
 11: Mode3, P1.4 is ADC input

SFR A4h	Bit 7	Bit 6	Bit 5	Bit 4	Bit 3	Bit 2	Bit 1	Bit 0
P3MODL	P3MOD3		P3MOD2		P3MOD1		P3MOD0	
R/W	R/W		R/W		R/W		R/W	
Reset	0	1	0	1	0	1	0	1

- A4h.7~6 **P3MOD3**: P3.3 pin control
 00: Mode0
 01: Mode1
 10: Mode2
 11: Mode3, P3.3 is ADC input
- A4h.5~4 **P3MOD2**: P3.2 pin control
 00: Mode0
 01: Mode1
 10: Mode2
 11: Mode3, P3.2 is ADC input
- A4h.3~2 **P3MOD1**: P3.1 pin control.
 00: Mode0
 01: Mode1
 10: Mode2
 11: Mode3, P3.1 is ADC input
- A4h.1~0 **P3MOD0**: P3.0 pin control.
 00: Mode0
 01: Mode1
 10: Mode2
 11: Mode3, P3.0 is ADC input

SFR A5h	Bit 7	Bit 6	Bit 5	Bit 4	Bit 3	Bit 2	Bit 1	Bit 0
P3MODH	P3MOD7		P3MOD6		P3MOD5		P3MOD4	
R/W	R/W		R/W		R/W		R/W	
Reset	0	1	0	1	0	1	0	1

- A5h.7~6 **P3MOD7**: P3.7 pin control
 00: Mode0
 01: Mode1
 10: Mode2
 11: Mode3
- A5h.5~4 **P3MOD6**: P3.6 pin control
 00: Mode0
 01: Mode1
 10: Mode2
 11: Mode3
- A5h.3~2 **P3MOD5**: P3.5 pin control
 00: Mode0
 01: Mode1
 10: Mode2
 11: Mode3
- A5h.1~0 **P3MOD4**: P3.4 pin control
 00: Mode0
 01: Mode1
 10: Mode2
 11: Mode3

SFR 93h	Bit 7	Bit 6	Bit 5	Bit 4	Bit 3	Bit 2	Bit 1	Bit 0
P2MOD	–	–	–	–	P2MOD1		P2MOD0	
R/W	–	–	–	–	R/W		R/W	
Reset	–	–	–	–	0	1	0	1

93h.3~2 **P2MOD1**: P2.1 pin control

- 00: Mode0
- 01: Mode1
- 10: Mode2
- 11: not defined

93h.1~0 **P2MOD0**: P2.0 pin control

- 00: Mode0
- 01: Mode1
- 10: Mode2
- 11: not defined

SFR A6h	Bit 7	Bit 6	Bit 5	Bit 4	Bit 3	Bit 2	Bit 1	Bit 0
PINMOD	PWM1OE	PWM0OE	TCOE	T2OE	HSNK2EN	HSNK1EN	HSNK0EN	T0OE
R/W	R/W	R/W	R/W	R/W	R/W	R/W	R/W	R/W
Reset	0	0	0	0	1	1	1	0

A6h.7 **PWM1OE**: PWM1 control

- 0: PWM1 disable
- 1: PWM1 enable and signal output to P1.3 pin

A6h.6 **PWM0OE**: PWM0 control

- 0: PWM0 disable
- 1: PWM0 enable and signal output to P1.2 pin

A6h.5 **TCOE**: System clock signal output (CKO) control

- 0: Disable "System clock divided by 2" output to P1.4 pin
- 1: Enable "System clock divided by 2" output to P1.4 pin

A6h.4 **T2OE**: Timer2 signal output (T2O) control

- 0: Disable "Timer2 overflow divided by 2" output to P1.0 pin
- 1: Enable "Timer2 overflow divided by 2" output to P1.0 pin

A6h.3 **HSNK2EN**: Pin High-sink enable (Group 2: P06, P07, P22~P25, P30~P33)

- 0: Group 2 High-sink disable
- 1: Group 2 High-sink enable

A6h.4 **HSNK1EN**: Pin High-sink enable (Group 1: P04, P05, P10~P17)

- 0: Group 1 High-sink disable
- 1: Group 1 High-sink enable

A6h.1 **HSNK0EN**: Pin High-sink enable (Group 0: P00~P03, P20, P21, P34~P37)

- 0: Group 0 High-sink disable
- 1: Group 0 High-sink enable

A6h.0 **T0OE**: Timer0 signal output (T0O) control

- 0: Disable "Timer0 overflow divided by 64" output to P3.4 pin
- 1: Enable "Timer0 overflow divided by 64" output to P3.4 pin

SFR A7h	Bit 7	Bit 6	Bit 5	Bit 4	Bit 3	Bit 2	Bit 1	Bit 0
PWMCON2	–	–	–	PWM2OE	PWM2CKS		PWM2DL	
R/W	–	–	–	R/W	R/W		R/W	
Reset	–	–	–	0	1	0	0	0

A7h.4 **PWM2OE**: PWM2 control

- 0: PWM2 disable
- 1: PWM2 enable and signal output to P1.6 pin

SFR B1h	Bit 7	Bit 6	Bit 5	Bit 4	Bit 3	Bit 2	Bit 1	Bit 0
LEDCON	LEDEN		LEDPSC		LEDHOLD	LEDBRIT		
R/W	R/W		R/W		R/W	R/W		
Reset	0	0	0	0	0	1	0	0

B1h.7~6 **LEDEN**: LED Enable

00: LED disable

01: LED 1/8 duty (COM0~3, SEG0~3), the LED pins' state will be controlled automatically

10: LED 1/9 duty (COM0~3, SEG0~4), the LED pins' state will be controlled automatically

11: LED 1/10 duty (COM0~3, SEG0~5), the LED pins' state will be controlled automatically

SFR BCh	Bit 7	Bit 6	Bit 5	Bit 4	Bit 3	Bit 2	Bit 1	Bit 0
SPCON	SPEN	MSTR	CPOL	CPHA	SSDIS	LSBF	SPCR	
R/W	R/W	R/W	R/W	R/W	R/W	R/W	R/W	
Reset	0	0	0	0	0	0	0	0

BCh.7 **SPEN**: SPI enable

0: SPI disable

1: SPI enable, P1.7, P3.5, P3.6 are SPI functional pins.

BCh.3 **SSDIS**: SS pin disable

0: Enable SS pin, P3.4 is SPI chip selection input.

1: Disable SS pin

SFR D1h	Bit 7	Bit 6	Bit 5	Bit 4	Bit 3	Bit 2	Bit 1	Bit 0
P1LOE	P1LOE							
R/W	R/W							
Reset	0	0	0	0	0	0	0	0

D1h.7~0 **P1LOE**: Port1 LCD 1/2 bias output enable control

0: Disable

1: Enable

SFR D2h	Bit 7	Bit 6	Bit 5	Bit 4	Bit 3	Bit 2	Bit 1	Bit 0
P2LOE	–	–	–	–	–	–	P2LOE	
R/W	–	–	–	–	–	–	R/W	
Reset	–	–	–	–	–	–	0	0

D2h.1~0 **P2LOE**: Port2 LCD 1/2 bias output enable control

0: Disable

1: Enable

SFR D3h	Bit 7	Bit 6	Bit 5	Bit 4	Bit 3	Bit 2	Bit 1	Bit 0
P3LOE	P3LOE							
R/W	R/W							
Reset	0	0	0	0	0	0	0	0

D3h.7~0 **P3LOE**: Port3 LCD 1/2 bias output enable control

0: Disable

1: Enable

SFR F7h	Bit 7	Bit 6	Bit 5	Bit 4	Bit 3	Bit 2	Bit 1	Bit 0
AUX2	WDTE		PWRSVAV	VBGOUT	–	IAPTE		LVRPD
R/W	R/W	R/W	R/W	R/W	–	R/W		R/W
Reset	0	0	0	0	–	1	1	0

F7h.4 **VBGOUT**: Bandgap voltage output control

0: Disable

1: Bandgap voltage output to P3.2 pin, when ADCHS=1011b

7.2 Port0

These pins are shared with TK, ADC, LCD/LED. If a Port0 is defined as I/O pin, it can be used as CMOS push-pull output or Schmitt-trigger input. The pin's pull up function is enable while SFR bit P0OE.n=0 and P0.n=1.

Port0 pin function	P0OE.n	P0.n SFR data	Pin State	Resistor Pull-up	Digital Input
Input	0	0	Hi-Z	N	Y
	0	1	Pull-up	Y	Y
CMOS Output	1	0	Drive Low	N	N
	1	1	Drive High	N	N

Port0 Pin Function Table

Pin Name	Wake-up	ADC	TK	LCD	LED	Others
P0.0				LCDC00	LEDC0	
P0.1				LCDC01	LEDC1	
P0.2				LCDC02	LEDC2	
P0.3				LCDC03	LEDC3	
P0.4		AD12	TK10	LCDC04		
P0.5		AD13	TK11	LCDC05		
P0.6		AD14	TK12	LCDC06		
P0.7		AD10		LCDC07		

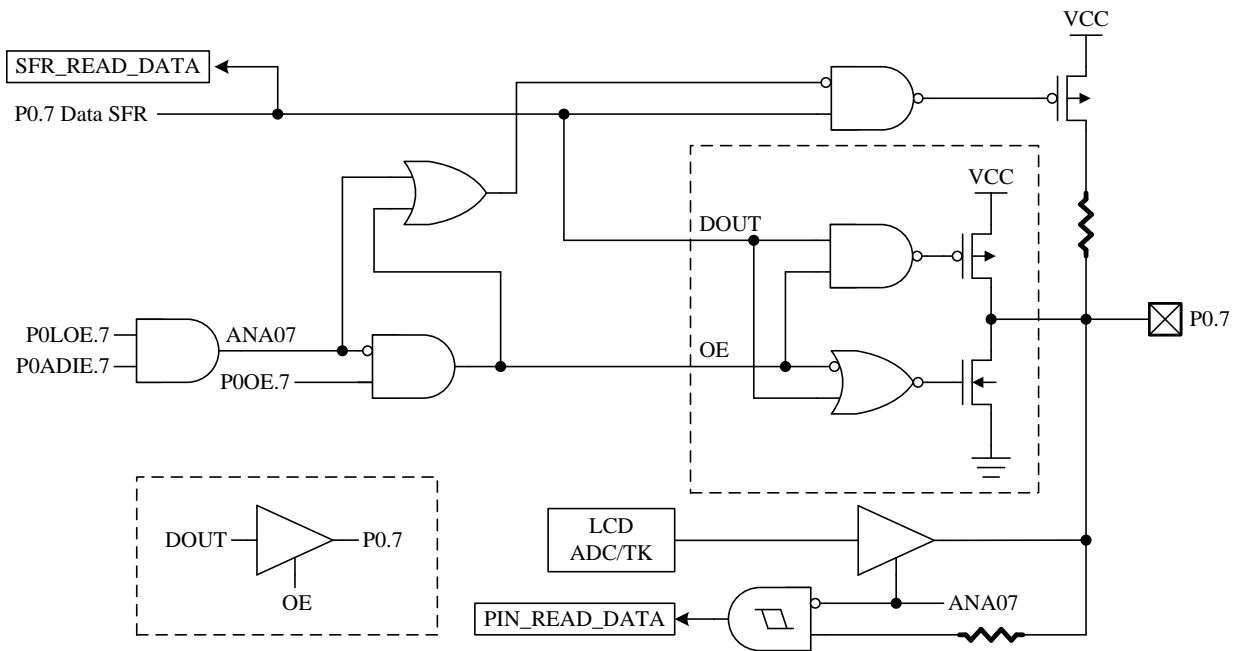
Port0 multi-function Table

The necessary SFR setting for Port0 pin's alternative function is list below.

Alternative Function	PxOE.n	Px.n SFR data	Pin State	other necessary SFR setting
LEDC0~ LEDC3	X	X	LED Waveform Output	LEDCON
LCDC00~ LCDC07	X	X	1/2 Bias Output	P0LOE
AD10, AD12~AD14	X	X	ADC Channel	P0ADIE
TK10~TK12	0	1	Touch Key Idling, Pull-up	TKCHS
			Touch Key Scanning	
	1	X	Touch Key Idling, CMOS Push-Pull	
			Touch Key Scanning	

Mode Setting for Port0 Alternative Function Table

Note: P0LOE and P0ADIE have higher priority than P0OE.


P0.7 Pin Structure

SFR 80h	Bit 7	Bit 6	Bit 5	Bit 4	Bit 3	Bit 2	Bit 1	Bit 0
P0	P0.7	P0.6	P0.5	P0.4	P0.3	P0.2	P0.1	P0.0
R/W	R/W	R/W	R/W	R/W	R/W	R/W	R/W	R/W
Reset	0	0	0	0	0	0	0	0

80h.7~0 **P0**: Port0 data, also controls the P0.n pin's pull-up function. If the P0.n SFR data is "1" and the corresponding P0OE.n = 0 (input mode), the pull-up is enabled.

SFR 91h	Bit 7	Bit 6	Bit 5	Bit 4	Bit 3	Bit 2	Bit 1	Bit 0
P0OE	P0OE							
R/W	R/W							
Reset	0	0	0	0	0	0	0	0

91h.7~0 **P0OE**: Port0 CMOS Push-Pull output enable control

0: Disable

1: Enable

SFR 92h	Bit 7	Bit 6	Bit 5	Bit 4	Bit 3	Bit 2	Bit 1	Bit 0
P0LOE	P0LOE							
R/W	R/W							
Reset	0	0	0	0	0	0	0	0

92h.7~0 **P0LOE**: Port0 LCD 1/2 bias output enable control

0: Disable

1: Enable

SFR AFh	Bit 7	Bit 6	Bit 5	Bit 4	Bit 3	Bit 2	Bit 1	Bit 0
P0ADIE	P0ADIE				-	-	-	-
R/W	R/W				-	-	-	-
Reset	0	0	0	0	-	-	-	-

AFh.7~4 **P0ADIE**: ADC channel input Enable

0000: P0.7~P0.4 are digital input

1xxx: P0.7 is ADC input

x1xx: P0.6 is ADC input

xx1x: P0.5 is ADC input

xxx1: P0.4 is ADC input

SFR B1h	Bit 7	Bit 6	Bit 5	Bit 4	Bit 3	Bit 2	Bit 1	Bit 0
LEDCON	LEDEN		LEDPSC		LEDHOLD	LEDBRIT		
R/W	R/W		R/W		R/W	R/W		
Reset	0	0	0	0	0	1	0	0

B1h.7~6 **LEDEN**: LED Enable

00: LED disable

01: LED 1/8 duty (COM0~3, SEG0~3), the LED pins' state will be controlled automatically

10: LED 1/9 duty (COM0~3, SEG0~4), the LED pins' state will be controlled automatically

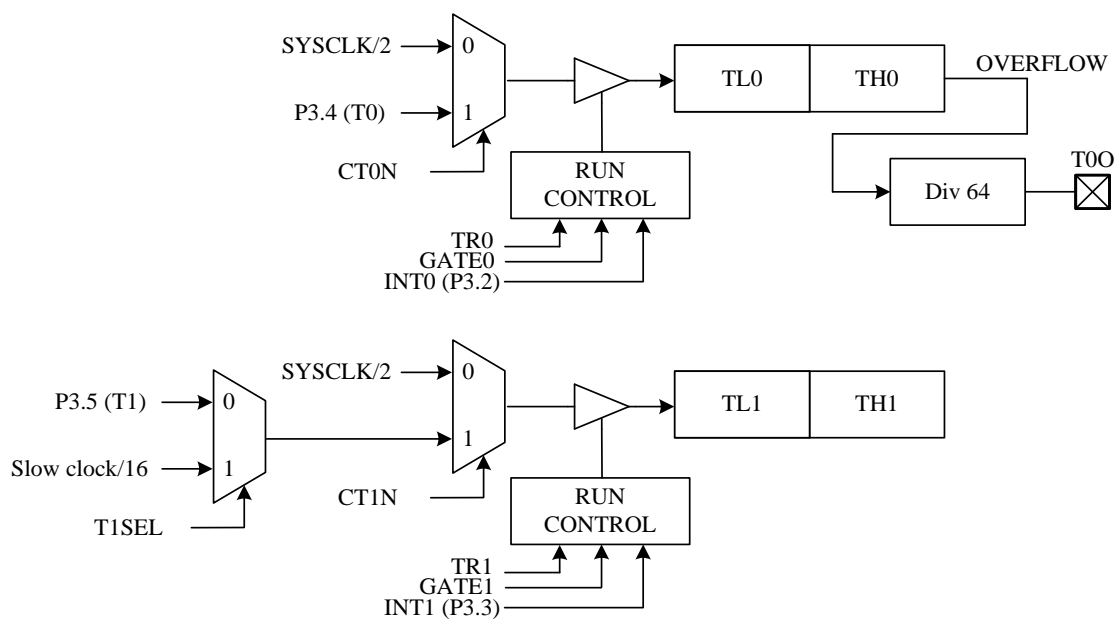
11: LED 1/10 duty (COM0~3, SEG0~5), the LED pins' state will be controlled automatically

8. Timers

Timer0, Timer1 and Timer2 are provided as standard 8051 compatible timer/counter. Compare to the traditional 12T 8051, the Chip's Timer0/1/2 use 2 System clock cycle as the time base unit. That is, in timer mode, these timers increase at every “2 System clock” rate; in counter mode, T0/T1/T2 pin input pulse must be wider than 2 System clock to be seen by this device. In addition to the standard 8051 timers function. The T00 pin can output the “Timer0 overflow divided by 64” signal, and the T2O pin can output the “Timer2 overflow divided by 2” signal. Timer3 is provided for a real-time clock count, when its time base is SXT.

8.1 Timer0 / Timer1

TCON and TMOD are used to set the mode of operation and to control the running and interrupt generation of the Timer0/Timer1, with the timer/counter values stored in two pairs of 8-bit registers (TL0, TH0, and TL1, TH1).



Timer0 and Timer1 Structure

SFR 88h	Bit 7	Bit 6	Bit 5	Bit 4	Bit 3	Bit 2	Bit 1	Bit 0
TCON	TF1	TR1	TF0	TR0	IE1	IT1	IE0	IT0
R/W	R/W	R/W	R/W	R/W	R/W	R/W	R/W	R/W
Reset	0	0	0	0	0	0	0	0

- 88h.7 **TF1:** Timer1 overflow flag
Set by H/W when Timer/Counter 1 overflows
Cleared by H/W when CPU vectors into the interrupt service routine.
- 88h.6 **TR1:** Timer1 run control
0: Timer1 stops
1: Timer1 runs
- 88h.5 **TF0:** Timer0 overflow flag
Set by H/W when Timer/Counter 0 overflows
Cleared by H/W when CPU vectors into the interrupt service routine.
- 88h.4 **TR0:** Timer0 run control
0: Timer0 stops
1: Timer0 runs

SFR 89h	Bit 7	Bit 6	Bit 5	Bit 4	Bit 3	Bit 2	Bit 1	Bit 0
TMOD	GATE1	CT1N	TMOD1		GATE0	CT0N	TMOD0	
R/W	R/W	R/W	R/W		R/W	R/W	R/W	
Reset	0	0	0	0	0	0	0	0

- 89h.7 **GATE1:** Timer1 gating control bit
 0: Timer1 enable when TR1 bit is set
 1: Timer1 enable only while the INT1 pin is high and TR1 bit is set
- 89h.6 **CT1N:** Timer1 Counter/Timer select bit
 0: Timer mode, Timer1 data increases at 2 System clock cycle rate
 1: Counter mode, Timer1 data increases at T1 pin's negative edge
- 89h.5~4 **TMOD1:** Timer1 mode select
 00: 8-bit timer/counter (TH1) and 5-bit prescaler (TL1)
 01: 16-bit timer/counter
 10: 8-bit auto-reload timer/counter (TL1). Reloaded from TH1 at overflow.
 11: Timer1 stops
- 89h.3 **GATE0:** Timer0 gating control bit
 0: Timer0 enable when TR0 bit is set
 1: Timer0 enable only while the INT0 pin is high and TR0 bit is set
- 89h.2 **CT0N:** Timer0 Counter/Timer select bit
 0: Timer mode, Timer0 data increases at 2 System clock cycle rate
 1: Counter mode, Timer0 data increases at T0 pin's negative edge
- 89h.1~0 **TMOD0:** Timer0 mode select
 00: 8-bit timer/counter (TH0) and 5-bit prescaler (TL0)
 01: 16-bit timer/counter
 10: 8-bit auto-reload timer/counter (TL0). Reloaded from TH0 at overflow.
 11: TL0 is an 8-bit timer/counter. TH0 is an 8-bit timer/counter using Timer1's TR1 and TF1 bits.

SFR 8Ah	Bit 7	Bit 6	Bit 5	Bit 4	Bit 3	Bit 2	Bit 1	Bit 0
TL0	TL0							
R/W	R/W							
Reset	0	0	0	0	0	0	0	0

8Ah.7~0 **TL0:** Timer0 data low byte

SFR 8Bh	Bit 7	Bit 6	Bit 5	Bit 4	Bit 3	Bit 2	Bit 1	Bit 0
TL1	TL1							
R/W	R/W							
Reset	0	0	0	0	0	0	0	0

8Bh.7~0 **TL1:** Timer1 data low byte

SFR 8Ch	Bit 7	Bit 6	Bit 5	Bit 4	Bit 3	Bit 2	Bit 1	Bit 0
TH0	TH0							
R/W	R/W							
Reset	0	0	0	0	0	0	0	0

8Ch.7~0 **TH0:** Timer0 data high byte

SFR 8Dh	Bit 7	Bit 6	Bit 5	Bit 4	Bit 3	Bit 2	Bit 1	Bit 0
TH1	TH1							
R/W	R/W							
Reset	0	0	0	0	0	0	0	0

8Dh.7~0 **TH1:** Timer1 data high byte

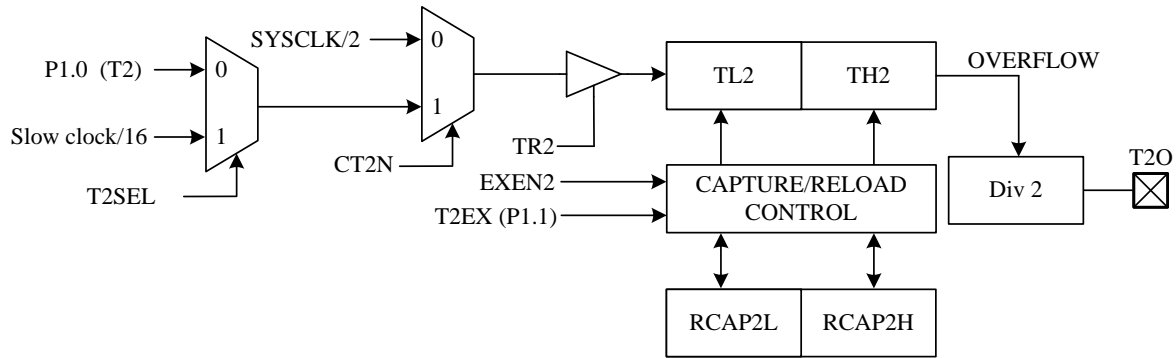
SFR F8h	Bit 7	Bit 6	Bit 5	Bit 4	Bit 3	Bit 2	Bit 1	Bit 0
AUX1	CLRWDT	CLRTM3	TKSOC	ADSOC	CLRPWM0	T2SEL	T1SEL	DPSEL
R/W	R/W	R/W	R/W	R/W	R/W	R/W	R/W	R/W
Reset	0	0	0	0	0	0	0	0

F8h.1 **T1SEL:** Timer1 Counter mode, T1 pin input select
 0: P3.5 (T1)
 1: Slow clock/16

Note: See also Chapter 6 for more information on Timer0/1 interrupt enable and priority.
Note: See also Chapter 7 for details on T0O pin output settings.

8.2 Timer2

Timer2 is controlled through the TCON2 register with the low and high bytes of Timer/Counter2 stored in TL2 and TH2 and the low and high bytes of the Timer2 reload/capture registers stored in RCAP2L and RCAP2H.



Timer2 Structure

SFR C8h	Bit 7	Bit 6	Bit 5	Bit 4	Bit 3	Bit 2	Bit 1	Bit 0
T2CON	TF2	EXF2	RCLK	TCLK	EXEN2	TR2	CT2N	CPRL2N
R/W	R/W	R/W	R/W	R/W	R/W	R/W	R/W	R/W
Reset	0	0	0	0	0	0	0	0

- C8h.7 **TF2:** Timer2 overflow flag
Set by H/W when Timer/Counter 2 overflows unless RCLK=1 or TCLK=1. This bit must be cleared by S/W.
- C8h.6 **EXF2:** T2EX interrupt pin falling edge flag
Set when a capture or a reload is caused by a negative transition on T2EX pin if EXEN2=1. This bit must be cleared by S/W.
- C8h.5 **RCLK:** UART receive clock control bit
0: Use Timer1 overflow as receive clock for serial port in mode 1 or 3
1: Use Timer2 overflow as receive clock for serial port in mode 1 or 3
- C8h.4 **TCLK:** UART transmit clock control bit
0: Use Timer1 overflow as transmit clock for serial port in mode 1 or 3
1: Use Timer2 overflow as transmit clock for serial port in mode 1 or 3
- C8h.3 **EXEN2:** T2EX pin enable
0: T2EX pin disable
1: T2EX pin enable, it cause a capture or reload when a negative transition on T2EX pin is detected if RCLK=TCLK=0
- C8h.2 **TR2:** Timer2 run control
0: Timer2 stops
1: Timer2 runs
- C8h.1 **CT2N:** Timer2 Counter/Timer select bit
0: Timer mode, Timer2 data increases at 2 System clock cycle rate
1: Counter mode, Timer2 data increases at T2 pin's negative edge
- C8h.0 **CPRL2N:** Timer2 Capture/Reload control bit
0: Reload mode, auto-reload on Timer2 overflows or negative transitions on T2EX pin if EXEN2=1.
1: Capture mode, capture on negative transitions on T2EX pin if EXEN2=1.
If RCLK=1 or TCLK=1, CPRL2N is ignored and timer is forced to auto-reload on Timer2 overflow.

SFR CAh	Bit 7	Bit 6	Bit 5	Bit 4	Bit 3	Bit 2	Bit 1	Bit 0
RCP2L	RCP2L							
R/W	R/W							
Reset	0	0	0	0	0	0	0	0

CAh.7~0 **RCP2L**: Timer2 reload/capture data low byte

SFR CBh	Bit 7	Bit 6	Bit 5	Bit 4	Bit 3	Bit 2	Bit 1	Bit 0
RCP2H	RCP2H							
R/W	R/W							
Reset	0	0	0	0	0	0	0	0

CBh.7~0 **RCP2H**: Timer2 reload/capture data high byte

SFR CCh	Bit 7	Bit 6	Bit 5	Bit 4	Bit 3	Bit 2	Bit 1	Bit 0
TL2	TL2							
R/W	R/W							
Reset	0	0	0	0	0	0	0	0

CCh.7~0 **TL2**: Timer2 data low byte

SFR CDh	Bit 7	Bit 6	Bit 5	Bit 4	Bit 3	Bit 2	Bit 1	Bit 0
TH2	TH2							
R/W	R/W							
Reset	0	0	0	0	0	0	0	0

CDh.7~0 **TH2**: Timer2 data high byte

SFR F8h	Bit 7	Bit 6	Bit 5	Bit 4	Bit 3	Bit 2	Bit 1	Bit 0
AUX1	CLRWDT	CLRTM3	TKSOC	ADSOC	CLRPWM0	T2SEL	T1SEL	DPSEL
R/W	R/W	R/W	R/W	R/W	R/W	R/W	R/W	R/W
Reset	0	0	0	0	0	0	0	0

F8h.2 **T2SEL**: Timer2 Counter mode, T2 pin input select
 0: P1.0 (T2)
 1: Slow clock/16

Note: See also Chapter 6 for more information on Timer2 interrupt enable and priority.

Note: See also Chapter 7 for details on T2O pin output settings.

8.3 Timer3

Timer3 works as a time-base counter, which generates interrupts periodically. It generates an interrupt flag (TF3) with the clock divided by 32768, 16384, 8192, ..., 256 depending on the TM3PSC SFR. The Timer3 clock source is Slow clock (SRC or SXT). This is ideal for real-time-clock (RTC) functionality when the clock source is SXT.

SFR 95h	Bit 7	Bit 6	Bit 5	Bit 4	Bit 3	Bit 2	Bit 1	Bit 0
INTFLG	–	–	TKIF	ADIF	–	IE2	P1IF	TF3
R/W	–	–	R/W	R/W	–	R/W	R/W	R/W
Reset	–	–	0	0	–	0	0	0

95h.0 **TF3:** Timer3 Interrupt Flag

Set by H/W when Timer3 reaches TM3PSC setting cycles. Cleared automatically when the program performs the interrupt service routine. S/W can write FEh to INTFLG to clear this bit. (*Note*)

Note: S/W can write 0 to clear a flag in the INTFLG, but writing 1 has no effect.

SFR EFh	Bit 7	Bit 6	Bit 5	Bit 4	Bit 3	Bit 2	Bit 1	Bit 0
AUX3	–	–	TM3PSC			VBGEN	–	ADCVREFS
R/W	–	–	R/W			R/W	–	R/W
Reset	–	–	0	0	0	0	0	0

EFh.5~3 **TM3PSC:** Timer3 Interrupt rate

- 000: Timer3 Interrupt rate is 32768 Slow clock cycle
- 001: Timer3 Interrupt rate is 16384 Slow clock cycle
- 010: Timer3 Interrupt rate is 8192 Slow clock cycle
- 011: Timer3 Interrupt rate is 4096 Slow clock cycle
- 100: Timer3 Interrupt rate is 2048 Slow clock cycle
- 101: Timer3 Interrupt rate is 1024 Slow clock cycle
- 110: Timer3 Interrupt rate is 512 Slow clock cycle
- 111: Timer3 Interrupt rate is 256 Slow clock cycle

SFR F8h	Bit 7	Bit 6	Bit 5	Bit 4	Bit 3	Bit 2	Bit 1	Bit 0
AUX1	CLRWDT	CLRTM3	TKSOC	ADSOC	CLRPWM0	T2SEL	T1SEL	DPSEL
R/W	R/W	R/W	R/W	R/W	R/W	R/W	R/W	R/W
Reset	0	0	0	0	0	0	0	0

F8h.6 **CLRTM3:** Set 1 to clear Timer3, H/W auto clear it at next clock cycle.

Note: also refer to Chapter 6 for more information about Timer3 Interrupt enable and priority.

8.4 T00 and T20 Output Control

This device can generate various frequency waveform pin output (in CMOS or Open-Drain format) for Buzzer. The T00 and T20 waveform is divided by Timer0/Timer2 overflow signal. The T00 waveform is Timer0 overflow divided by 64, and T20 waveform is Timer2 overflow divided by 2. User can control their frequency by Timers auto reload speed. Set T0OE and T2OE SFRs can output these waveforms.

SFR A6h	Bit 7	Bit 6	Bit 5	Bit 4	Bit 3	Bit 2	Bit 1	Bit 0
PINMOD	PWM1OE	PWM0OE	TCOE	T2OE	HSNK2EN	HSNK1EN	HSNK0EN	T0OE
R/W	R/W	R/W	R/W	R/W	R/W	R/W	R/W	R/W
Reset	0	0	0	0	1	1	1	0

A6h.4 **T2OE:** Timer2 signal output (T20) control

- 0: Disable Timer2 overflow divided by 2 output to P1.0
- 1: Enable Timer2 overflow divided by 2 output to P1.0

A6h.0 **T0OE:** Timer0 signal output (T00) control

- 0: Disable Timer0 overflow divided by 64 output to P3.4
- 1: Enable Timer0 overflow divided by 64 output to P3.4

9. UARTs

This Chip has two UARTs, UART1 and UART2.

The **UART1** uses **SCON** and **SBUF** SFRs. **SCON** is the control register, **SBUF** is the data register. Data is written to **SBUF** for transmission and **SBUF** is read to obtain received data. The received data and transmitted data registers are completely independent. In addition to standard 8051's full duplex mode, this chip also provides one wire mode. If the **UART1W** bit is set, both transmit and receive data use P3.1 pin.

The **UART2** uses **SCON2** and **SBUF2** SFRs. **SCON2** is the control register, **SBUF2** is the data register. Data is written to **SBUF2** for transmission and **SBUF2** is read to obtain received data. The received data and transmitted data registers are completely independent. The **UART2** supports most of the functions of **UART**, but it does not support **Mode0** and **Mode2**, it also does not support **Timer2** and one wire **UART** mode. On other hand, the option of **SMOD** is not use for **UART2**. **UART2** double baud rate is always enabled.

SFR 87h	Bit 7	Bit 6	Bit 5	Bit 4	Bit 3	Bit 2	Bit 1	Bit 0
PCON	SMOD	–	–	–	GF1	GF0	PD	IDL
R/W	R/W	–	–	–	R/W	R/W	R/W	R/W
Reset	0	–	–	–	0	0	0	0

87h.7 **SMOD:** UART1 double baud rate control bit
 0: Disable UART1 double baud rate
 1: Enable UART1 double baud rate

SFR 94h	Bit 7	Bit 6	Bit 5	Bit 4	Bit 3	Bit 2	Bit 1	Bit 0
OPTION	UART1W	–	WDTPSC		ADCKS		–	–
R/W	R/W	–	R/W		R/W		–	–
Reset	0	–	0	0	0	0	–	–

94h.7 **UART1W:** One wire UART1 mode enable, both TXD/RXD use P3.1 pin
 0: Disable one wire UART1 mode
 1: Enable one wire UART1 mode

SFR 98h	Bit 7	Bit 6	Bit 5	Bit 4	Bit 3	Bit 2	Bit 1	Bit 0
SCON	SM0	SM1	SM2	REN	TB8	RB8	TI	RI
R/W	R/W	R/W	R/W	R/W	R/W	R/W	R/W	R/W
Reset	0	0	0	0	0	0	0	0

98h.7~6 **SM0,SM1:** UART1 serial port mode select bit 0,1
 00: Mode0: 8 bit shift register, Baud Rate= $F_{SYSCLK}/2$
 01: Mode1: 8 bit UART1, Baud Rate is variable
 10: Mode2: 9 bit UART1, Baud Rate= $F_{SYSCLK}/32$ or/64
 11: Mode3: 9 bit UART1, Baud Rate is variable

98h.5 **SM2:** Serial port mode select bit 2
 SM2 enables multiprocessor communication over a single serial line and modifies the above as follows. In Modes 2 & 3, if SM2 is set then the received interrupt will not be generated if the received ninth data bit is 0. In Mode 1, the received interrupt will not be generated unless a valid stop bit is received. In Mode 0, SM2 should be 0.

98h.4 **REN:** UART1 reception enable
 0: Disable reception
 1: Enable reception

98h.3 **TB8:** Transmit Bit 8, the ninth bit to be transmitted in Mode 2 and 3

98h.2 **RB8:** Receive Bit 8, contains the ninth bit that was received in Mode 2 and 3 or the stop bit is Mode 1 if SM2=0

- 98h.1 **TI:** Transmit interrupt flag
Set by H/W at the end of the eighth bit in Mode 0, or at the beginning of the stop bit in other modes. Must be cleared by S/W.
- 98h.0 **RI:** Receive interrupt flag
Set by H/W at the end of the eighth bit in Mode 0, or at the sampling point of the stop bit in other modes. Must be cleared by S/W.

SFR 99h	Bit 7	Bit 6	Bit 5	Bit 4	Bit 3	Bit 2	Bit 1	Bit 0
SBUF	SBUF							
R/W	R/W							
Reset	–	–	–	–	–	–	–	–

99h.7~0 **SBUF:** UART1 transmit and receive data. Transmit data is written to this location and receive data is read from this location, but the paths are independent.

SFR 8Eh	Bit 7	Bit 6	Bit 5	Bit 4	Bit 3	Bit 2	Bit 1	Bit 0
SCON2	SM	–	–	REN2	TB82	RB82	TI2	RI2
R/W	R/W	–	–	R/W	R/W	R/W	R/W	R/W
Reset	0	–	–	0	0	0	0	0

- 8Eh.7 **SM:** UART2 Serial port mode select bit
0: Mode1: 8 bit UART2, Baud Rate is variable
1: Mode3: 9 bit UART2, Baud Rate is variable
(UART2 does not support Mode0/Mode2)
- 8Eh.4 **REN2:** UART2 reception enable
0: Disable reception
1: Enable reception
- 8Eh.3 **TB82:** Transmit Bit 8, the ninth bit to be transmitted in Mode 3
- 8Eh.2 **RB82:** Receive Bit 8, contains the ninth bit that was received in Mode3
- 8Eh.1 **TI2:** Transmit interrupt flag
Set by H/W at the beginning of the stop bit in Mode 1 & 3. Must be cleared by S/W.
- 8Eh.0 **RI2:** Receive interrupt flag
Set by H/W at the sampling point of the stop bit in Mode 1 & 3. Must be cleared by S/W.

SFR 8Fh	Bit 7	Bit 6	Bit 5	Bit 4	Bit 3	Bit 2	Bit 1	Bit 0
SBUF2	SBUF2							
R/W	R/W							
Reset	–	–	–	–	–	–	–	–

8Fh.7~0 **SBUF2:** UART2 transmit and receive data. Transmit data is written to this location and receive data is read from this location, but the paths are independent.

F_{SYSCLK} denotes System clock frequency, the UART baud rate is calculated as below.

- **Mode 0: (UART2 invalid)**
Baud Rate= $F_{\text{SYSCLK}}/2$
- **Mode 1, 3:** if using Timer1 auto reload mode
Baud Rate= $(\text{SMOD} + 1) \times F_{\text{SYSCLK}} / (32 \times 2 \times (256 - \text{TH1}))$
- **Mode 1, 3:** if using Timer2 (**UART2 invalid**)
Baud Rate=Timer2 overflow rate/16 = $F_{\text{SYSCLK}} / (32 \times (65536 - \text{RCP2H}, \text{RCP2L}))$
- **Mode 2: (UART2 invalid)**
Baud Rate= $(\text{SMOD} + 1) \times F_{\text{SYSCLK}}/64$

Note: also refer to Chapter 6 for more information about UART Interrupt enable and priority.

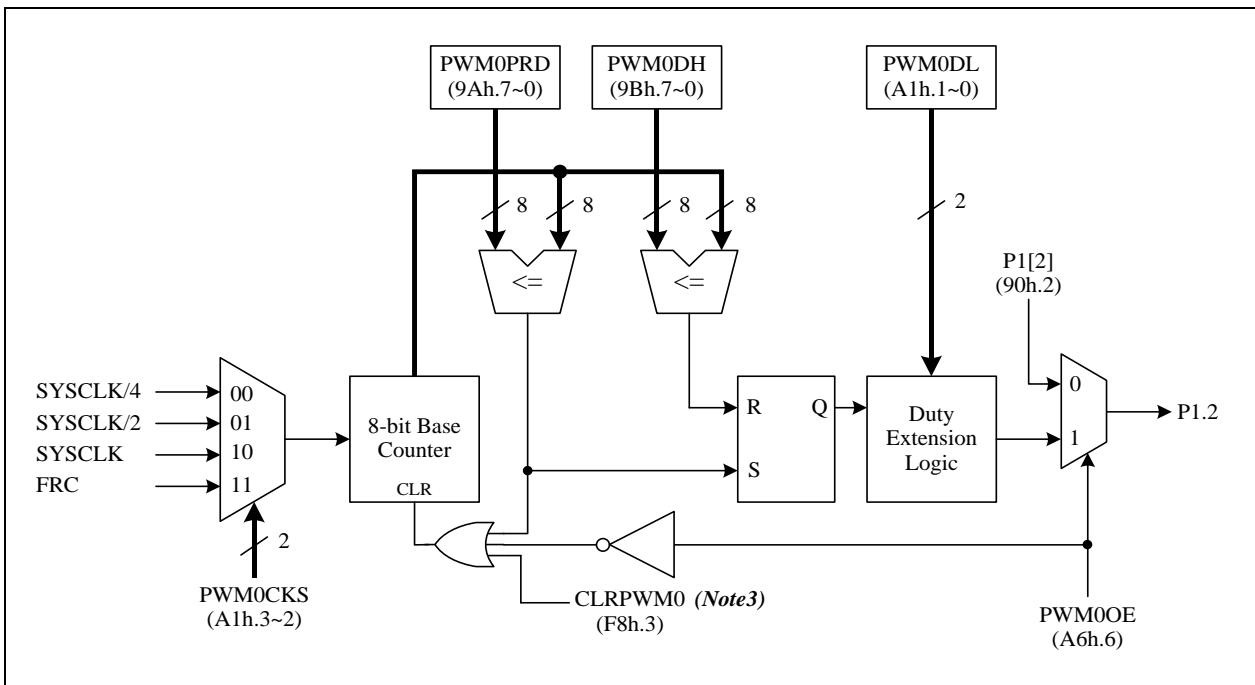
Note: also refer to Chapter 8 for more information about how Timer2 controls UART clock.

10. PWMs

The Chip has three independent PWM modules, PWM0, PWM1 and PWM2. The PWM can generate a fixed frequency waveform with 1024 duty resolution on the basis of the PWM clock. The PWM clock can select FRC or F_{SYSCLK} divided by 1, 2, or 4 as its clock source. A spread LSB technique allows PWM to run its frequency at the “PWM clock divided by 256” instead of at the “PWM clock divided by 1024”, which means the PWM is four times faster than normal. The advantage of a higher PWM frequency is that the post RC filter can transform the PWM signal to a more stable DC voltage level.

The PWM output signal resets to a low level whenever the 8-bit base counter matches the 8-bit MSB of the PWM duty register. When the base counter rolls over, the 2-bit LSB of the PWM duty register decides whether to set the PWM output signal high immediately or set it high after one clock cycle delay. The PWM period can be set by writing the period value to the 8-bit PWM period register.

The pin mode SFR controls the PWM output waveform format. Mode1 makes the PWM open drain output and Mode2 makes the PWM CMOS push-pull output. (see Chapter 7)



PWM0 Structure

Note: the PWM1 and PWM2 are almost the same as the PWM0, except they have no clear control bit.

SFR 9Ah	Bit 7	Bit 6	Bit 5	Bit 4	Bit 3	Bit 2	Bit 1	Bit 0
PWM0PRD	PWM0PRD							
R/W	R/W							
Reset	1	1	1	1	1	1	1	1

9Ah.7~0 **PWM0PRD**: PWM0 8-bit period register

SFR 9Bh	Bit 7	Bit 6	Bit 5	Bit 4	Bit 3	Bit 2	Bit 1	Bit 0
PWM0DH	PWM0DH							
R/W	R/W							
Reset	1	0	0	0	0	0	0	0

9Bh.7~0 **PWM0DH**: bits 9~2 of the PWM0 10-bit duty register

SFR 9Ch	Bit 7	Bit 6	Bit 5	Bit 4	Bit 3	Bit 2	Bit 1	Bit 0
PWM1PRD	PWM1PRD							
R/W	R/W							
Reset	1	1	1	1	1	1	1	1

9Ch.7~0 **PWM1PRD**: PWM1 8-bit period register

SFR 9Dh	Bit 7	Bit 6	Bit 5	Bit 4	Bit 3	Bit 2	Bit 1	Bit 0
PWM1DH	PWM1DH							
R/W	R/W							
Reset	1	0	0	0	0	0	0	0

9Dh.7~0 **PWM1DH**: bits 9~2 of the PWM1 10-bit duty register

SFR A1h	Bit 7	Bit 6	Bit 5	Bit 4	Bit 3	Bit 2	Bit 1	Bit 0
PWMCON	PWM1CKS		PWM1DL		PWM0CKS		PWM0DL	
R/W	R/W		R/W		R/W		R/W	
Reset	1	0	0	0	1	0	0	0

A1h.7~6 **PWM1CKS**: PWM1 clock source

- 00: $F_{SYSCLK}/4$
- 01: $F_{SYSCLK}/2$
- 10: F_{SYSCLK}
- 11: FRC

A1h.5~4 **PWM1DL**: bits 1~0 of the PWM1 10-bit duty register

A1h.3~2 **PWM0CKS**: PWM0 clock source

- 00: $F_{SYSCLK}/4$
- 01: $F_{SYSCLK}/2$
- 10: F_{SYSCLK}
- 11: FRC

A1h.1~0 **PWM0DL**: bits 1~0 of the PWM0 10-bit duty register

SFR A6h	Bit 7	Bit 6	Bit 5	Bit 4	Bit 3	Bit 2	Bit 1	Bit 0
PINMOD	PWM1OE	PWM0OE	TCOE	T2OE	HSNK2EN	HSNK1EN	HSNK0EN	T0OE
R/W	R/W	R/W	R/W	R/W	R/W	R/W	R/W	R/W
Reset	0	0	0	0	1	1	1	0

A6h.7 **PWM1OE**: PWM1 control

- 0: PWM1 disable
- 1: PWM1 enable and signal output to P1.3 pin

A6h.6 **PWM0OE**: PWM0 control

- 0: PWM0 disable
- 1: PWM0 enable and signal output to P1.2 pin

SFR F8h	Bit 7	Bit 6	Bit 5	Bit 4	Bit 3	Bit 2	Bit 1	Bit 0
AUX1	CLRWDT	CLRTM3	TKSOC	ADSOC	CLRPWM0	T2SEL	T1SEL	DPSEL
R/W	R/W	R/W	R/W	R/W	R/W	R/W	R/W	R/W
Reset	0	0	0	0	0	0	0	0

F8h.3 **CLRPWM0**: PWM0 clear enable

- 0: PWM0 is running
- 1: PWM0 is cleared and held

SFR 9Eh	Bit 7	Bit 6	Bit 5	Bit 4	Bit 3	Bit 2	Bit 1	Bit 0
PWM2PRD	PWM2PRD							
R/W	R/W							
Reset	1	1	1	1	1	1	1	1

9Eh.7~0 **PWM2PRD**: PWM2 8-bit period register

SFR 9Fh	Bit 7	Bit 6	Bit 5	Bit 4	Bit 3	Bit 2	Bit 1	Bit 0
PWM2DH	PWM2DH							
R/W	R/W							
Reset	1	0	0	0	0	0	0	0

9Fh.7~0 **PWM2DH**: bits 9~2 of the PWM2 10-bit duty register

SFR A7h	Bit 7	Bit 6	Bit 5	Bit 4	Bit 3	Bit 2	Bit 1	Bit 0
PWMCON2	–	–	–	PWM2OE	PWM2CKS		PWM2DL	
R/W	–	–	–	R/W	R/W		R/W	
Reset	–	–	–	0	1	0	0	0

A7h.4 **PWM2OE**: PWM1 control

0: PWM2 disable

1: PWM2 enable and signal output to P1.6 pin

A7h.3~2 **PWM2CKS**: PWM2 clock source

00: $F_{SYSCLK}/4$

01: $F_{SYSCLK}/2$

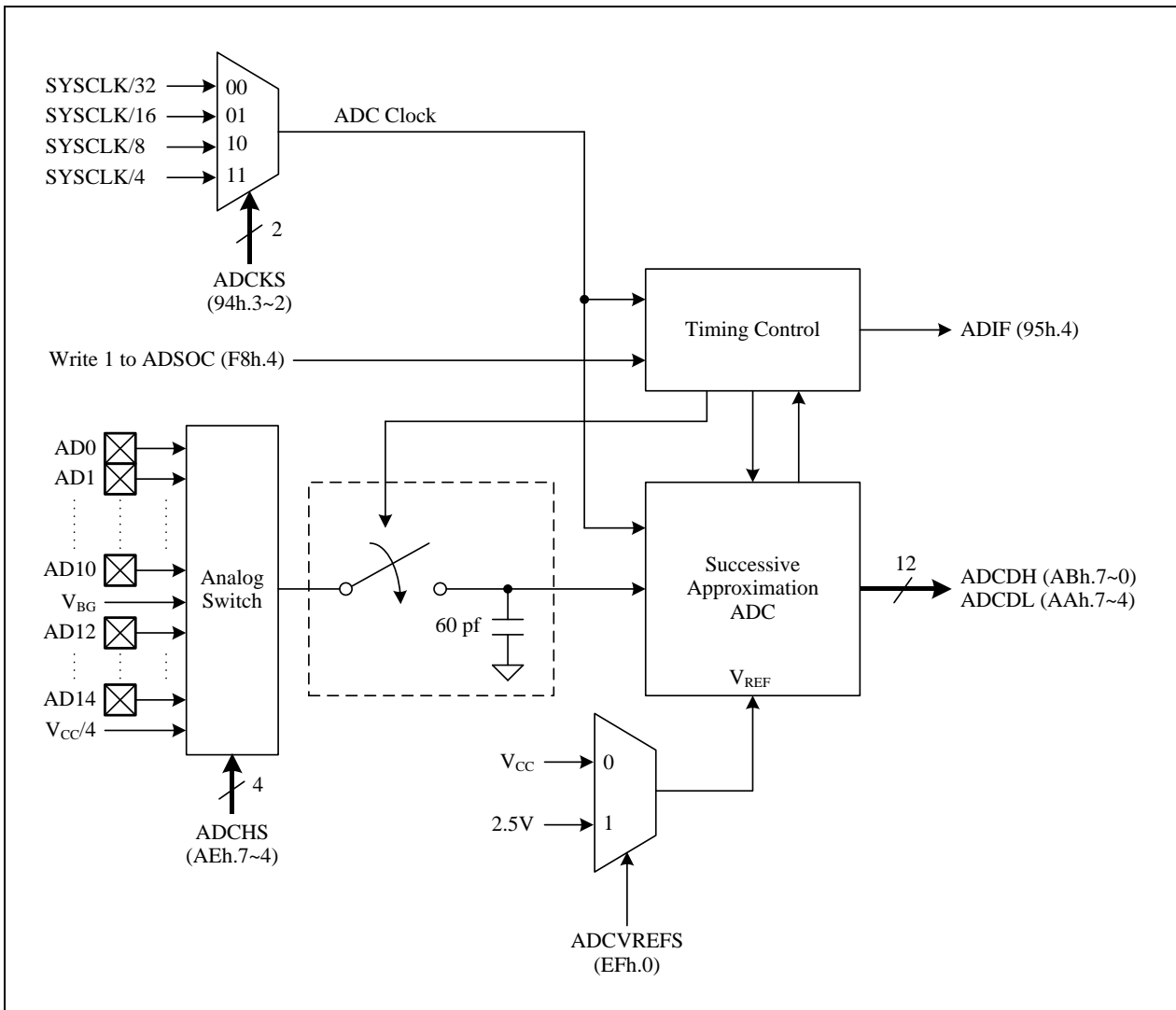
10: F_{SYSCLK}

11: FRC

A7h.1~0 **PWM2DL**: bits 1~0 of the PWM2 10-bit duty register

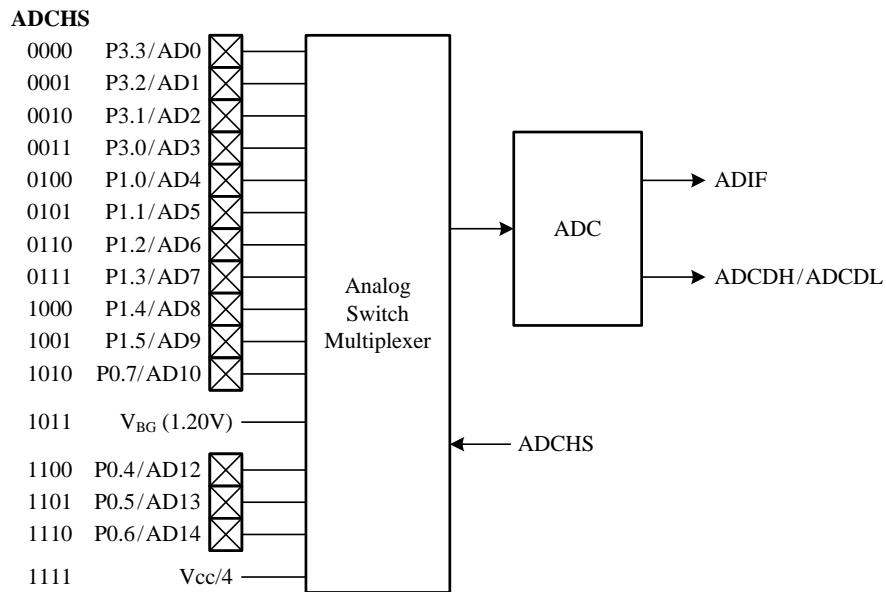
11. ADC

The Chip offers a 12-bit ADC consisting of a 16-channel analog input multiplexer, control register, clock generator, 12-bit successive approximation register, and output data register. To use the ADC, set the ADCKS bit first to choose a proper ADC clock frequency, which must be less than 1 MHz. Then, launch the ADC conversion by setting the ADSOC bit, and H/W will automatic clear it at the end of the conversion. After the end of the conversion, H/W will set the ADIF bit and generate an interrupt if an ADC interrupt is enabled. The ADIF bit can be cleared by writing 0 to this bit or 1 to the ADSOC bit. Because certain channels are shared with the Touch Key, the ADC channel must be configured differently from the Touch Key channel to avoid affecting the channel input sensitivity. There are two ADC reference volts (V_{REF}) can be selected by setting ADCVREFS. The analog input level must remain within the range from V_{SS} to V_{REF} .



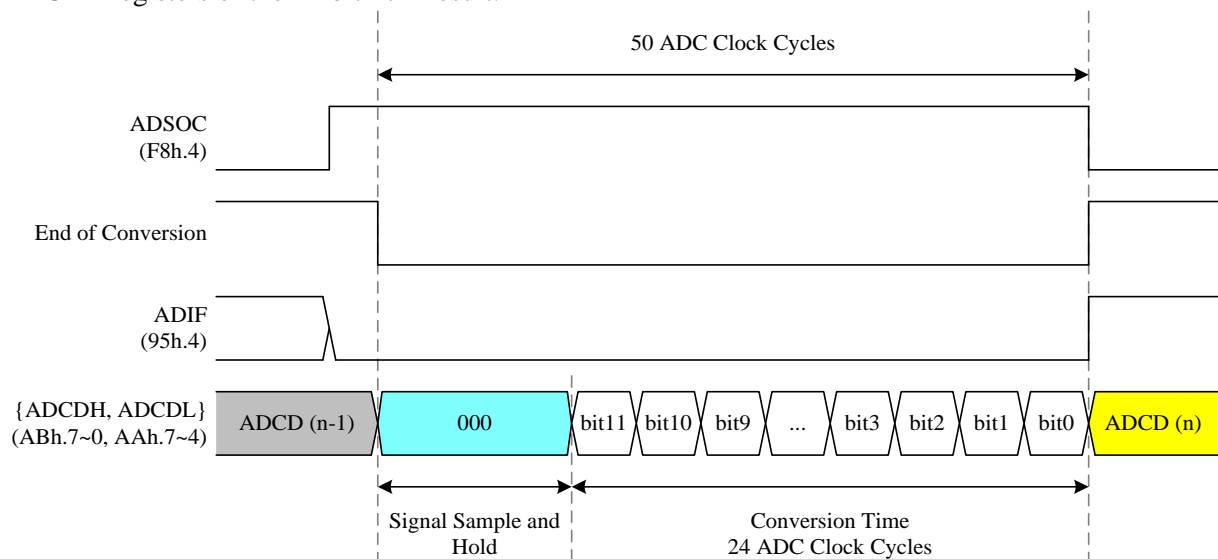
11.1 ADC Channels

The 12-bit ADC has a total of 16 channels, designated AD0~AD10, AD12~AD14, $V_{CC}/4$, and V_{BG} . The ADC channels are connected to the analog input pins via the analog switch multiplexer. The analog switch multiplexer is controlled by the ADCHS register. The Chip offers up to 14 analog input pins, designated AD0~AD10 and AD12~AD14. In addition, there are two analog input pins for voltage reference connections. When ADCHS is set to 1111b, the analog input will connect to $V_{CC}/4$, and when ADCHS is set to 1011b, the analog input will connect to V_{BG} . V_{BG} is an internal voltage reference at 1.20V. After the ADCHS is set, the ADC module is connected to the I/O port through the selection of ADCHS. If the I/O port is used as Touch Key, it will affect the Touch Key function. Therefore, when the ADC is not in use, it is recommended to set the ADCHS to 1111b ($V_{CC}/4$) or 1011b (V_{BG}) to disconnect the ADC module from the I/O port.



11.2 ADC Conversion Time

The conversion time is the time required for the ADC to convert the voltage. The ADC requires two ADC clock cycles to convert each bit and several clock cycles to sample and hold the input voltage. A total of 50 ADC clock cycles are required to perform the complete conversion. When the conversion time is complete, the ADIF interrupt flag is set by H/W, and the result is loaded into the ADCDH and ADCDL registers of the 12-bit A/D result.



SFR 94h	Bit 7	Bit 6	Bit 5	Bit 4	Bit 3	Bit 2	Bit 1	Bit 0
OPTION	UART1W	–	WDT_PSC		ADCKS		–	–
R/W	R/W	–	R/W		R/W		–	–
Reset	0	–	0	0	0	0	–	–

94h.3~2 **ADCKS**: ADC clock rate select

00: $F_{SYSCLK}/32$

01: $F_{SYSCLK}/16$

10: $F_{SYSCLK}/8$

11: $F_{SYSCLK}/4$

SFR 95h	Bit 7	Bit 6	Bit 5	Bit 4	Bit 3	Bit 2	Bit 1	Bit 0
INTFLG	LVD	–	TKIF	ADIF	–	IE2	PIIF	TF3
R/W	R	–	R/W	R/W	–	R/W	R/W	R/W
Reset	–	–	0	0	–	0	0	0

95h.4 **ADIF**: ADC interrupt flag

Set by H/W at the end of ADC conversion. S/W writes EFh to INTFLG or sets the ADSOC bit to clear this flag. (*Note*)

SFR AAh	Bit 7	Bit 6	Bit 5	Bit 4	Bit 3	Bit 2	Bit 1	Bit 0
ADTKDT	ADC_DL				TKDH			
R/W	R				R			
Reset	–	–	–	–	–	–	–	–

AAh.7~4 **ADC_DL**: ADC data bit 3~0

SFR ABh	Bit 7	Bit 6	Bit 5	Bit 4	Bit 3	Bit 2	Bit 1	Bit 0
ADC_DH	ADC_DH							
R/W	R							
Reset	–	–	–	–	–	–	–	–

ABh.7~0 **ADC_DH**: ADC data bit 11~4

SFR B6h	Bit 7	Bit 6	Bit 5	Bit 4	Bit 3	Bit 2	Bit 1	Bit 0
ADCHS	–	–	–	–	ADCHS			
R/W	–	–	–	–	R/W			
Reset	–	–	–	–	1	1	1	1

B6h.3~0 **ADCHS**: ADC channel select

0000: AD0 (P3.3)

0001: AD1 (P3.2)

0010: AD2 (P3.1)

0011: AD3 (P3.0)

0100: AD4 (P1.0)

0101: AD5 (P1.1)

0110: AD6 (P1.2)

0111: AD7 (P1.3)

1000: AD8 (P1.4)

1001: AD9 (P1.5)

1010: AD10 (P0.7)

1011: V_{BG} (Internal Bandgap Reference Voltage)

1100: AD12 (P0.4)

1101: AD13 (P0.5)

1110: AD14 (P0.6)

1111: $V_{CC}/4$

Note: FW must turn off Bandgap to obtain Tiny Current (ADCHS ≠ 1011b)

SFR EFh	Bit 7	Bit 6	Bit 5	Bit 4	Bit 3	Bit 2	Bit 1	Bit 0
AUX3	–	–	TM3PSC			VBGEN	–	ADCVREFS
R/W	–	–	R/W			R/W	–	R/W
Reset	–	–	0	0	0	0	0	0

EFh.1 **Reserved, Keep 0**

EFh.0 **ADCVREFS:** ADC reference voltage (V_{REF}) select
 0: V_{CC}
 1: 2.5V

SFR F8h	Bit 7	Bit 6	Bit 5	Bit 4	Bit 3	Bit 2	Bit 1	Bit 0
AUX1	CLRWDT	CLRTM3	TKSOC	ADSOC	CLRPWM0	T2SEL	T1SEL	DPSEL
R/W	R/W	R/W	R/W	R/W	R/W	R/W	R/W	R/W
Reset	0	0	0	0	0	0	0	0

F8h.4 **ADSOC:** Start ADC conversion

Set the ADSOC bit to start ADC conversion, and the ADSOC bit will be cleared by H/W at the end of conversion. S/W can also write 0 to clear this flag.

Note: also refer to Chapter 6 for more information about ADC Interrupt enable and priority.

Note: also refer to Chapter 7 for more information about ADCinput channel setting.

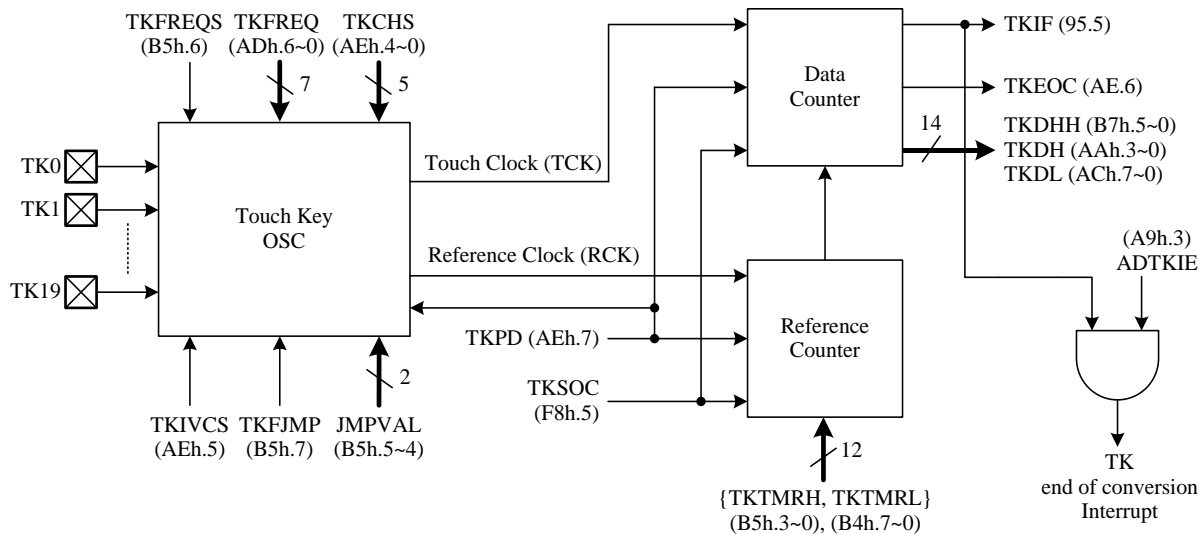
12. Touch Key (FN8276/78 only)

The Touch Key offers an easy, simple and reliable method to implement finger touch detection. The device support 19 channels touch key detection.

To use the Touch Key, user must setup the Pin Mode (*see Chapter 7*) correctly as below table. Setting Mode2 for an Idling Touch Key pin can CMOS output Low and reduce the mutual interference between the adjacent keys.

POOEx / P1MODx / P3MODx setting for Touch Key	
Pin is Touch Key, Idling	Drive Low
Pin is Touch Key, Scanning	

There are two oscillators: Reference Clock (RCK) and Touch Clock (TCK). They are connected to the Reference Counter and Data Counter respectively. The frequency of RCK can be adjusted by setting TKFREQ. Reference Counter is used to control conversion time. From starting touch key conversion to end, it will take 0 to 4096 RCK oscillation cycles by setting TKTMR. After end of conversion, user can get TKDATA (TKDHH, TKDL) from Data counter. TKDATA is affected by finger touching. As finger touching TCK is getting slower, the value of TKDATA is smaller than the no finger touching. According to the difference of TKDATA, user can check if it is touched or not. The frequency of TCK will adjust automatically by setting TKFJMP=1, otherwise it can be adjusted by TKFREQS and JMPVAL when TKFJMP=0.



Touch Key Structure

To start the Scanning, user assigns TKPD=0, then set the TKSOC bit to start touch key conversion, the TKSOC bit can be automatically cleared while end of conversion. However, if the SYSCLK is too slow, H/W might fail to clear TKSOC due to clock sampling rate. TKEOC=0 means conversion is in process. TKEOC=1 means the conversion is finish, and the touch key counting result is stored into the 14 bits Touch Key Data Counter TKDHH and TKDL.

There is an internal reference capacitor inside the Touch Key to simulate the behavior of the finger touching. Set TKCHS=15, it will forcefully switch to the internal reference capacitor, and start the touch key conversion to get the TKDATA. Because the internal capacitor has never been affected by water or mobile phones, it is very useful for comparing environmental background noise.

When TKPD=0 and TKCHS is set, the Touch Key module is connected to the I/O port through the selection of TKCHS. If the I/O port is used as other functions, it must be affected. Therefore, when the Touch Key module is not in use, it is recommended to set TKPD =1 to disconnect the TK module from the I/O port.

◇ Example:

```

MOV      TKCON,#000h      ; TKPD=0, TKCHS=0 (select TK0)

MOV      TKFREQ,#040h     ; Set an appropriate value for TK scanning

MOV      TKCON2,#084h     ; TKFJMP=1
MOV      TKTMR,#000h     ; TKTMR=400h

MOV      INTFLG,#11011111b ; clear TKIF
ORL      INTE1,#008h
ORL      IE,#080h

SETB     TKSOC
    
```

SFR 95h	Bit 7	Bit 6	Bit 5	Bit 4	Bit 3	Bit 2	Bit 1	Bit 0
INTFLG	–	–	TKIF	ADIF	–	IE2	P1IF	TF3
R/W	–	–	R/W	R/W	–	R/W	R/W	R/W
Reset	–	–	0	0	–	0	0	0

95h.5 **TKIF:** Touch Key Interrupt Flag

Set by H/W at the end of Touch Key conversion if SYSCLK is fast enough. S/W writes DFh to INTFLG or sets the TKSOC bit to clear this flag. (*Note*)

Note: S/W can write 0 to clear a flag in the INTFLG, but writing 1 has no effect.

SFR B7h	Bit 7	Bit 6	Bit 5	Bit 4	Bit 3	Bit 2	Bit 1	Bit 0
TKDHH	–	–	TKDHH					
R/W	–	–	R					
Reset	–	–	–	–	–	–	–	–

B7h.5~0 **TKDHH:** Touch Key counter data bit 13~8

SFR AAh	Bit 7	Bit 6	Bit 5	Bit 4	Bit 3	Bit 2	Bit 1	Bit 0
ADTKDT	ADCDL				TKDH			
R/W	R				R			
Reset	–	–	–	–	–	–	–	–

AAh.3~0 **TKDH:** Touch Key counter data bit 10~8

SFR ACh	Bit 7	Bit 6	Bit 5	Bit 4	Bit 3	Bit 2	Bit 1	Bit 0
TKDL	TKDL							
R/W	R							
Reset	–	–	–	–	–	–	–	–

ACh.7~0 **TKDL:** Touch Key counter data bit 7~0

SFR ADh	Bit 7	Bit 6	Bit 5	Bit 4	Bit 3	Bit 2	Bit 1	Bit 0
TKFREQ	TKFREQ							
R/W	R/W							
Reset	–	1	0	0	0	0	0	0

ADh.6~0 **TKFREQ**: Touch Key oscillation capacitor adjustment
 00: TKDATA is smallest
 ...
 7F: TKDATA is biggest

SFR AEh	Bit 7	Bit 6	Bit 5	Bit 4	Bit 3	Bit 2	Bit 1	Bit 0
TKCON	TKPD	TKEOC	TKIVCS	TKCHS				
R/W	R/W	R	R/W	R/W				
Reset	1	0	0	0	1	1	1	1

AEh.7 **TKPD**: Touch Key power down
 0: Touch Key enable
 1: Touch Key disable

AEh.6 **TKEOC**: Touch Key end of conversion flag, TKEOC may have 3uS delay after TKSOC=1, so F/W must wait enough time before polling this Flag.
 0: Indicates conversion is in progress
 1: Indicates conversion is finished

AEh.5 **TKIVCS**: Touch Key internal LDO voltage control
 0: 1.4V
 1: 1.8V

AEh.4~0 **TKCHS**: Touch Key channel select
 00000: TK0 (P3.3)
 00001: TK1 (P3.2)
 00010: TK2 (P3.1)
 00011: TK3 (P3.0)
 00100: TK4 (P1.0)
 00101: TK5 (P1.1)
 00110: TK6 (P1.2)
 00111: TK7 (P1.3)
 01000: TK8 (P1.4)
 01001: TK9 (P1.6)
 01010: TK10 (P0.4)
 01011: TK11 (P0.5)
 01100: TK12 (P0.6)
 01101: TK13 (P3.4)
 01110: TK14 (P1.5)
 01111: internal reference key
 10000: TK16 (P1.7)
 10001: TK17 (P3.6)
 10010: TK18 (P3.5)
 10011: TK19 (P3.7)

SFR B4h	Bit 7	Bit 6	Bit 5	Bit 4	Bit 3	Bit 2	Bit 1	Bit 0
TKTMRL	TKTMRL							
R/W	R/W							
Reset	1	1	1	1	1	1	1	1

B4h.7~0 **TKTMRL**: Touch Key reference counter data bit 7~0

SFR B5h	Bit 7	Bit 6	Bit 5	Bit 4	Bit 3	Bit 2	Bit 1	Bit 0
TKCON2	TKFJMP	TKFREQS	JMPVAL		TKTMRH			
R/W	R/W	R/W	R/W		R/W			
Reset	0	0	0	0	0	0	0	0

- B5h.7 **TKFJMP**: Touch Key clock frequency auto-change selection
 0: fix frequency
 1: auto-change
- B5h.6 **TKFREQS**: Touch Key clock frequency select
 0: slow frequency
 1: fast frequency
- B5h.5~4 **JMPVAL**: Touch Key clock frequency fine tune (**only available in TKFJMP=0**)
 00: frequency is slowest
 ~
 11: frequency is fastest
- B5h.3~0 **TKTMRH**: Touch Key reference counter data bit 11~8

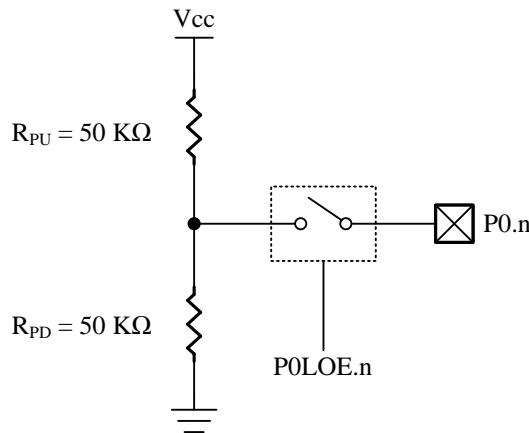
SFR F8h	Bit 7	Bit 6	Bit 5	Bit 4	Bit 3	Bit 2	Bit 1	Bit 0
AUX1	CLRWDT	CLRTM3	TKSOC	ADSOC	CLRPWM0	T2SEL	T1SEL	DPSEL
R/W	R/W	R/W	R/W	R/W	R/W	R/W	R/W	R/W
Reset	0	0	0	0	0	0	0	0

- F8h.5 **TKSOC**: Touch Key Start of Conversion
 Set 1 to start Touch Key conversion. If SYSCLK is fast enough, this bit will be cleared by H/W at the end of conversion. S/W can also write 0 to clear this flag.

Note: also refer to Chapter 6 for more information about Touch Key Interrupt enable and priority.

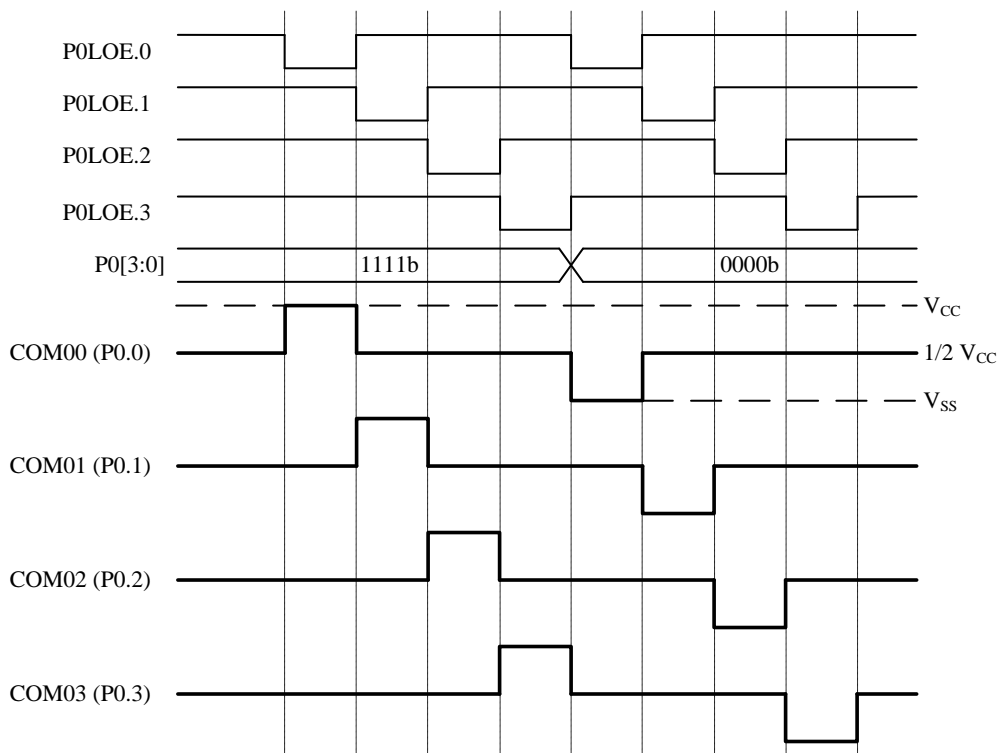
13. S/W Controller LCD Driver

The chip supports an S/W controlled method to driving LCD. All of the IO pins can be the Common pins. User can flexibly adjust the Common pins and Segment pins. It is capable of driving the LCD panel with 169 dots (Max.) by 13 Commons (COM) and 13 Segments (SEG). The P0.0~P0.7 are used for Common pins COM00~COM07. The P1.0~P1.7 are used for Common pins COM10~COM17. The P2.0~P2.1 are used for Common pins COM20~COM21. The P3.0~P3.7 are used for Common pins COM30~COM37. Common pins are capable of driving 1/2 bias by setting the corresponding registers P0LOE, P1LOE, P2LOE or P3LOE. Refer to the following figures.



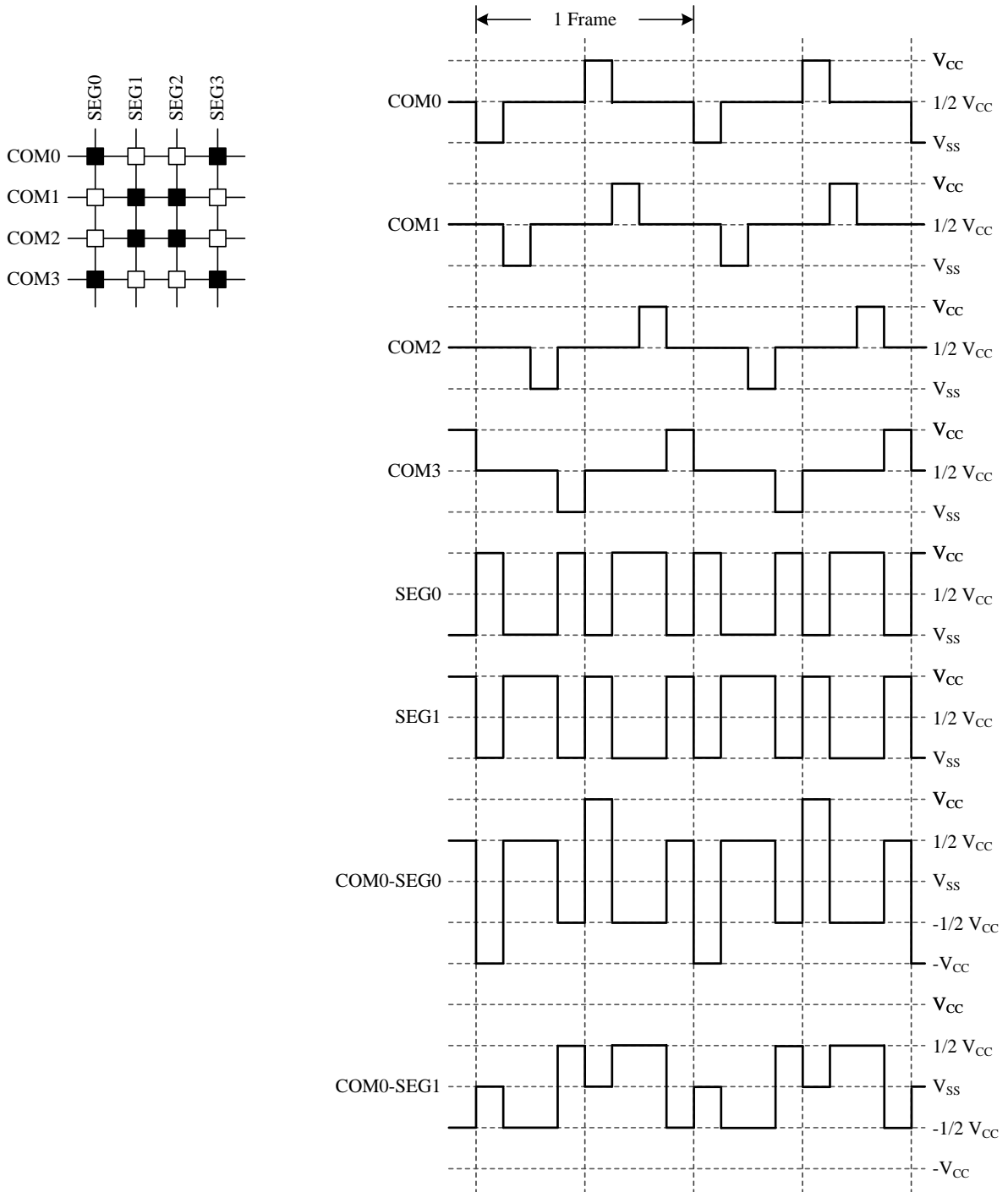
LCD COM00~07 Circuit

The frequency of any repeating waveform output on the COM pin can be used to represent the LCD frame rate. The figure below shows an LCD frame.



S/W Controlled LCD COM00~03 Scanning

1/4 Duty, 1/2 Bias Output Waveform



SFR 92h	Bit 7	Bit 6	Bit 5	Bit 4	Bit 3	Bit 2	Bit 1	Bit 0
P0LOE	P0LOE							
R/W	R/W							
Reset	0	0	0	0	0	0	0	0

92h.7~0 **P0LOE**: P0.7~P0.0 LCD 1/2 bias output enable control
 0: Disable
 1: Enable

SFR D1h	Bit 7	Bit 6	Bit 5	Bit 4	Bit 3	Bit 2	Bit 1	Bit 0
P1LOE	P1LOE							
R/W	R/W							
Reset	0	0	0	0	0	0	0	0

D1h.7~0 **P1LOE**: P1.7~P1.0 LCD 1/2 bias output enable control
 0: Disable
 1: Enable

SFR D2h	Bit 7	Bit 6	Bit 5	Bit 4	Bit 3	Bit 2	Bit 1	Bit 0
P2LOE	–	–	–	–	–	–	P2LOE	
R/W	–	–	–	–	–	–	R/W	
Reset	–	–	–	–	–	–	0	0

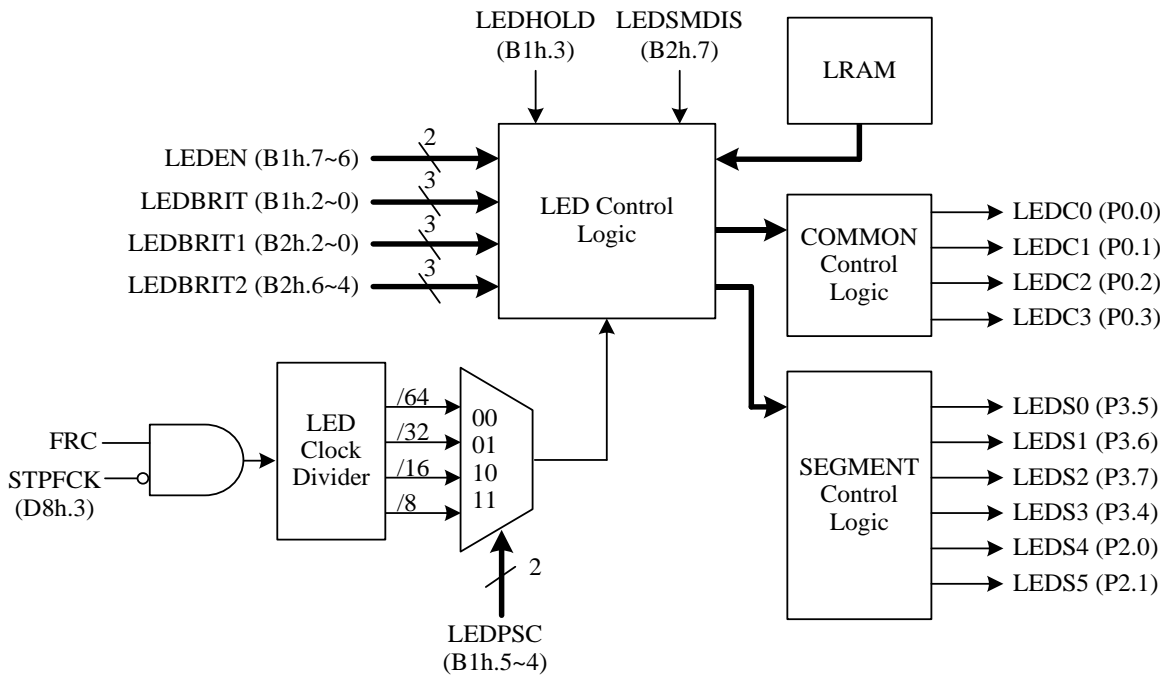
D2h.1~0 **P2LOE**: P2.1~P2.0 LCD 1/2 bias output enable control
 0: Disable
 1: Enable

SFR D3h	Bit 7	Bit 6	Bit 5	Bit 4	Bit 3	Bit 2	Bit 1	Bit 0
P3LOE	P3LOE							
R/W	R/W							
Reset	0	0	0	0	0	0	0	0

D3h.7~0 **P3LOE**: P3.7~P3.0 LCD 1/2 bias output enable control
 0: Disable
 1: Enable

14. LED Controller/Driver

The chip supports a LED controller and driver by Matrix mode of operation. The LED Matrix mode can drive more number of LED pixels than the tradition mode, when they use the same number of pins. In this mode, it provides maximum 10 pins (LEDC0~C3, LEDS0~S5) to drive a LED module with 48 pixels. All 10 pins have a high sink current for driving LED directly. In the other hand, this LED controller also provides 3groups 8-level of brightness adjustment for all 10 pin. It can make the brightness smoother by setting the LEDSMDIS=0. To avoid LED flicker when the common signal is changing, the chip provides a dead time control. In the dead time period, segment pins will output a short inactive signal instead of changing the signal immediately. To start the LED scanning, it only has to set the LEDEN. Then H/W will control the Pin mode automatically. It also provides the scan hold function by setting LEDHOLD.



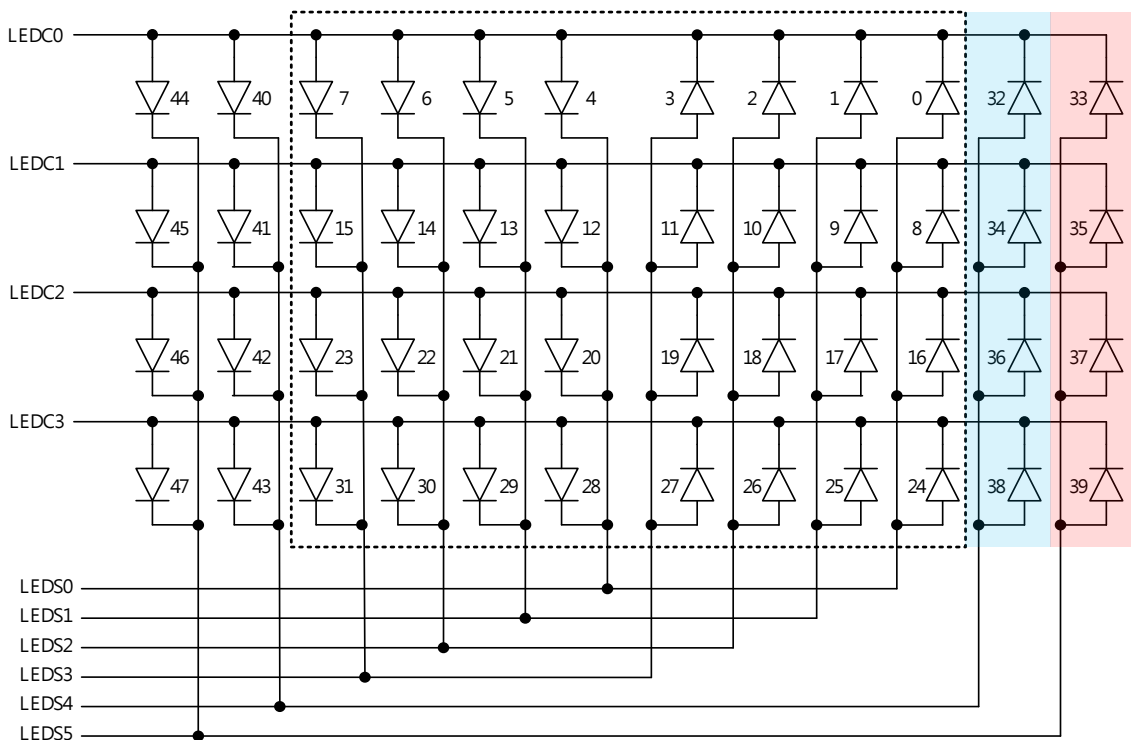
LEDEN	Duty	Matrix	Max pixels
0	Disable	-	-
1	1/8	4COM x 4SEG	32 (4x4x2)
2	1/9	4COM x 5SEG	40 (4x5x2)
3	1/10	4COM x 6SEG	48 (4x6x2)

LRAM (External Data Memory)

Addr.	Bit 7	Bit 6	Bit 5	Bit 4	Bit 3	Bit 2	Bit 1	Bit 0
F000h	SEG3-COM0+	SEG2-COM0+	SEG1-COM0+	SEG0-COM0+	COM0-SEG3+	COM0-SEG2+	COM0-SEG1+	COM0-SEG0+
F001h	SEG3-COM1+	SEG2-COM1+	SEG1-COM1+	SEG0-COM1+	COM1-SEG3+	COM1-SEG2+	COM1-SEG1+	COM1-SEG0+
F002h	SEG3-COM2+	SEG2-COM2+	SEG1-COM2+	SEG0-COM2+	COM2-SEG3+	COM2-SEG2+	COM2-SEG1+	COM2-SEG0+
F003h	SEG3-COM3+	SEG2-COM3+	SEG1-COM3+	SEG0-COM3+	COM3-SEG3+	COM3-SEG2+	COM3-SEG1+	COM3-SEG0+
F004h	COM3-SEG5+	COM3-SEG4+	COM2-SEG5+	COM2-SEG4+	COM1-SEG5+	COM1-SEG4+	COM0-SEG5+	COM0-SEG4+
F005h	SEG5-COM3+	SEG5-COM2+	SEG5-COM1+	SEG5-COM0+	SEG4-COM3+	SEG4-COM2+	SEG4-COM1+	SEG4-COM0+

Addr.	Bit 7	Bit 6	Bit 5	Bit 4	Bit 3	Bit 2	Bit 1	Bit 0
F000h	7	6	5	4	3	2	1	0
F001h	15	14	13	12	11	10	9	8
F002h	23	22	21	20	19	18	17	16
F003h	31	30	29	28	27	26	25	24
F004h	39	38	37	36	35	34	33	32
F005h	47	46	45	44	43	42	41	40

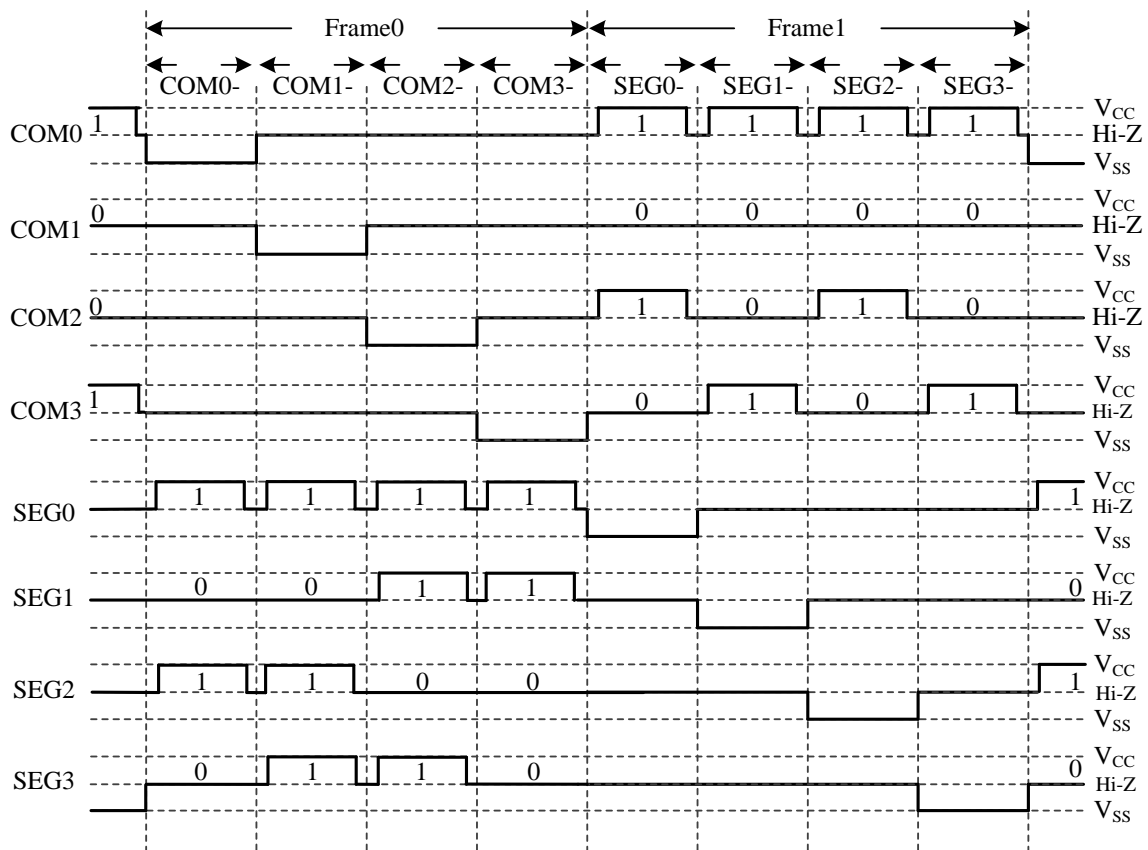
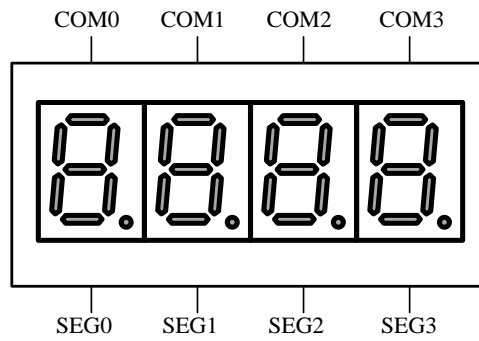
LED matrix mode corresponding display configuration table



LED 4*6 matrix mode

Note: LEDBRIT (B1h.2~0) : LED number 0~31, 40~47 brightness control
 LEDBRIT1 (B2h.2~0): LED number 32, 34, 36, 38 brightness control
 LEDBRIT2 (B2h.6~4): LED number 33, 35, 37, 39 brightness control

Application Circuit: 4COM x 4SEG (1/8 Duty)



◇ Example:

```

MOV     DPTR,#0F000h    ; LEDRAM0
MOV     A,#0FFh
MOVX    @DPTR, A        ; F000h = FFh

MOV     LEDCON,#056h    ; LED duty = 1/8
                          ; LEDPSC = FRC/32
                          ; Brightness=6
    
```

SFR B1h	Bit 7	Bit 6	Bit 5	Bit 4	Bit 3	Bit 2	Bit 1	Bit 0
LEDCON	LEDEN		LEDPSC		LEDHOLD	LEDBRIT		
R/W	R/W		R/W		R/W	R/W		
Reset	0	0	0	0	0	1	0	0

- B1h.7~6 **LEDEN**: LED enable and duty select
 00: LED disable
 01: LED 1/8 duty (4COM x 4SEG)
 10: LED 1/9 duty (4COM x 5SEG)
 11: LED 1/10 duty (4COM x 6SEG)
- B1h.5~4 **LEDPSC**: LED clock prescaler select
 00: LED clock is FRC divided by 64
 01: LED clock is FRC divided by 32
 10: LED clock is FRC divided by 16
 11: LED clock is FRC divided by 8
- B1h.3 **LEDHOLD**: LED hold function
 0: Release to run LED scanning
 1: Hold LED scanning, all LED pins state are Hi-Z
- B1h.2~0 **LEDBRIT**: LED COM0+ ~ COM3+ & SEG0+ ~ SEG3+ (LED number 0~31, 40~47) brightness select
 000: Level 0 (Darkest)
 ...
 111: Level 7 (Brightest)

SFR B2h	Bit 7	Bit 6	Bit 5	Bit 4	Bit 3	Bit 2	Bit 1	Bit 0
LEDCON2	LEDSMDIS	LEDBRIT2			–	LEDBRIT1		
R/W	R/W	R/W			–	R/W		
Reset	0	1	0	0	–	1	0	0

- B2h.7 **LEDSMDIS**: LED brightness smooth control
 0: Brightness smooth enable
 1: Brightness smooth disable
- B2h.6~4 **LEDBRIT2**: LED SEG5+ (LED number 33, 35, 37, 39) brightness select
 000: Level 0 (Darkest)
 ...
 111: Level 7 (Brightest)
- B2h.2~0 **LEDBRIT1**: LED SEG4+ (LED number 32, 34, 36, 38) brightness select
 000: Level 0 (Darkest)
 ...
 111: Level 7 (Brightest)

SFR D8h	Bit 7	Bit 6	Bit 5	Bit 4	Bit 3	Bit 2	Bit 1	Bit 0
CLKCON	SCKTYPE	FCKTYPE	STPSCK	STPPCK	STPFCK	SELFCK	CLKPSC	
R/W	R/W	R/W	R/W	R/W	R/W	R/W	R/W	
Reset	0	0	1	0	0	0	1	1

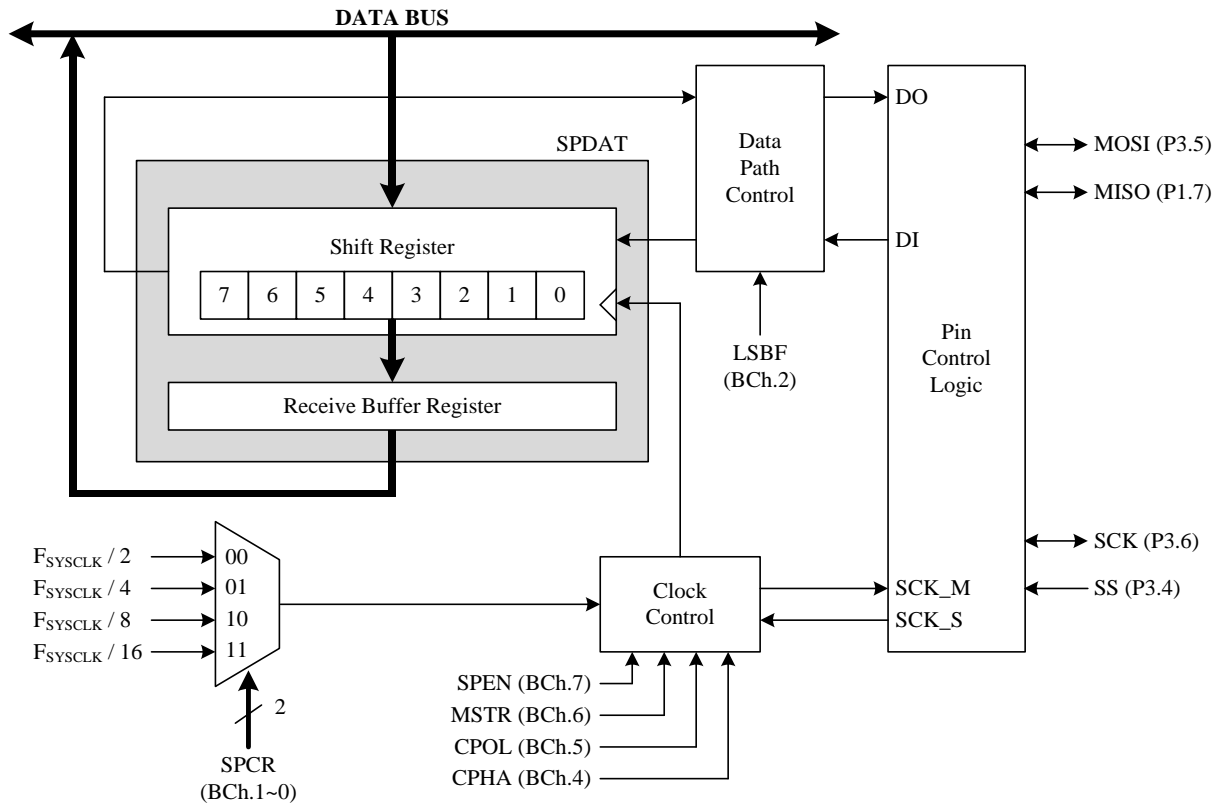
- D8h.3 **STPFCK**: Set 1 to stop Fast clock for power saving in Slow/Idle mode. This bit can be changed only in Slow mode.

15. Serial Peripheral Interface (SPI)

The Serial Peripheral Interface (SPI) module is capable of full-duplex, synchronous, serial communication between the MCU and peripheral devices. The peripheral devices can be other MCUs, A/D converter, sensors, or flash memory, etc. The SPI runs at a clock rate up to the system clock divided by two. Firmware can read the status flags, or the operation can be interrupt driven. Following figure shows the SPI system block diagram.

The features of the SPI module include:

- Master or Slave mode operation
- 3-wire or 4-wire mode operation
- Full-duplex operation
- Programmable transmit bit rate
- Single buffer receive
- Serial clock phase and polarity options
- MSB-first or LSB-first shifting selectable



SPI Function Pin	P1/P3 Mode	P1.n/P3.n SFR data
Master Mode, MISO	Mode1	1
Master Mode, SCK, MOSI	Mode2	X
Slave Mode, MISO	Mode2	X
Slave Mode, SCK, MOSI	Mode1	1
SS	Mode1	1

Pin Mode Setting for SPI

The four signals used by SPI are described below. The MOSI (P3.5) signal is an output from a Master Device and an input to Slave Devices. The signal is an output when SPI is operating in Master mode and an input when SPI is operating in Slave mode. The MISO (P1.7) signal is an output from a Slave Device and an input to a Master Device. The signal is an input when SPI is operating in Master mode and an output when SPI is operating in Slave mode. Data is transferred most-significant bit (MSB) or least-significant bit (LSB) first by setting the LSBF bit. The SCK (P3.6) signal is an output from a Master Device and an input to Slave Devices. It is used to synchronize the data on the MOSI and MISO lines of Master and Slave. SPI generates the signal with eight programmable clock rates in Master mode. The SS (P3.4) signal is a low active slave select pin. In 4-wire Slave mode, the signal is ignored when the Slave is not selected (SS=1). The SS is ignored when the SSDIS in SPCON is set in both Master and Slave modes. In Slave mode and the SSDIS is clear, the SPI active when SS stay low. For multiple-slave mode, only one slave device is selected at a time to avoid bus collision on the MISO line. In Master mode and the SSDIS is cleared, the MODF in SPSTA is set when this signal is low. For multiple-master mode, enable SS line to avoid multiple driving on MOSI and SCK lines from multiple masters.

Master Mode

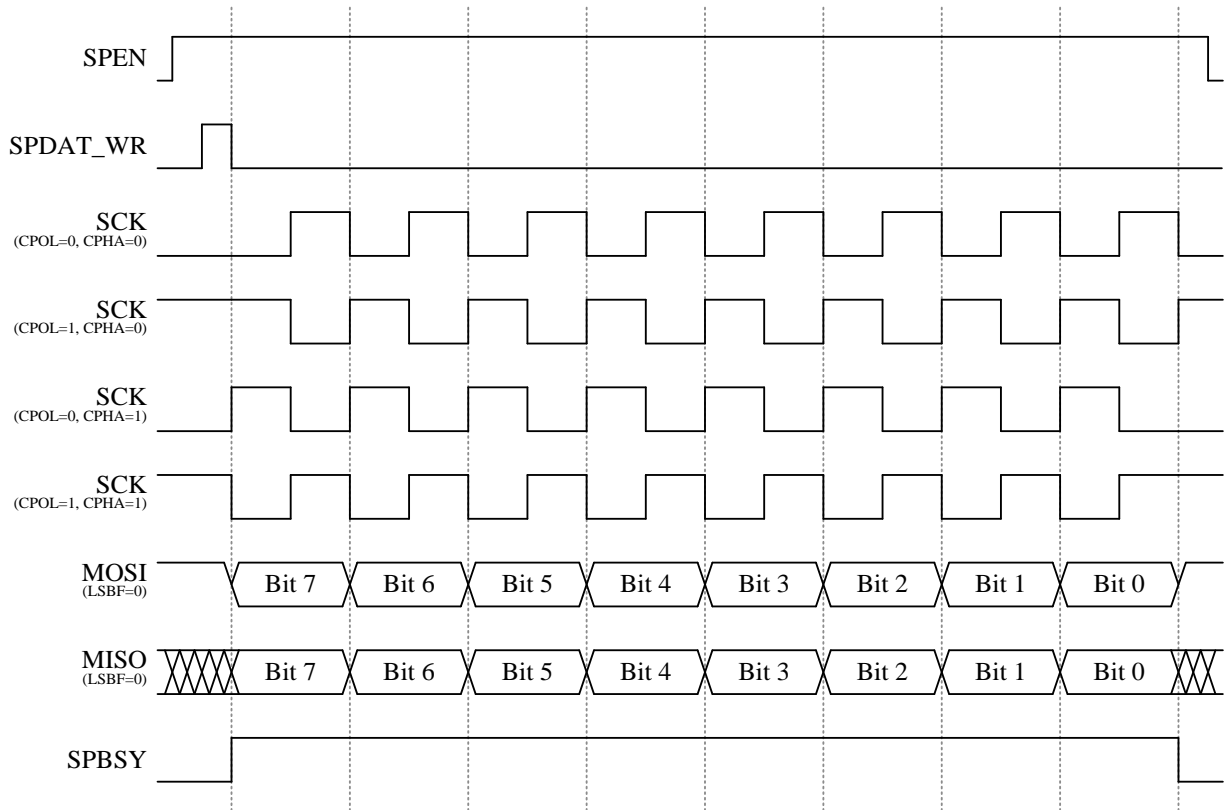
The SPI operates in Master mode by setting the MSTR bit in the SPCON. To start transmit, writing a data to the SPDAT. If the SPBSY bit is cleared, the data will be transferred to the shift register and starts shift out on the MOSI line. The data of the slave shift in from the MISO line at the same time. When the SPIF bit in the SPSTA becomes set at the end of the transfer, the receive data is written to receiver buffer and the RCVBF bit in the SPSTA is set. To prevent an overrun condition, software must read the SPDAT before next byte enters the shift register. The SPBSY bit will be set when writing a data to SPDAT to start transmit, and be cleared at the end of the eighth SCK period in Master mode.

Slave Mode

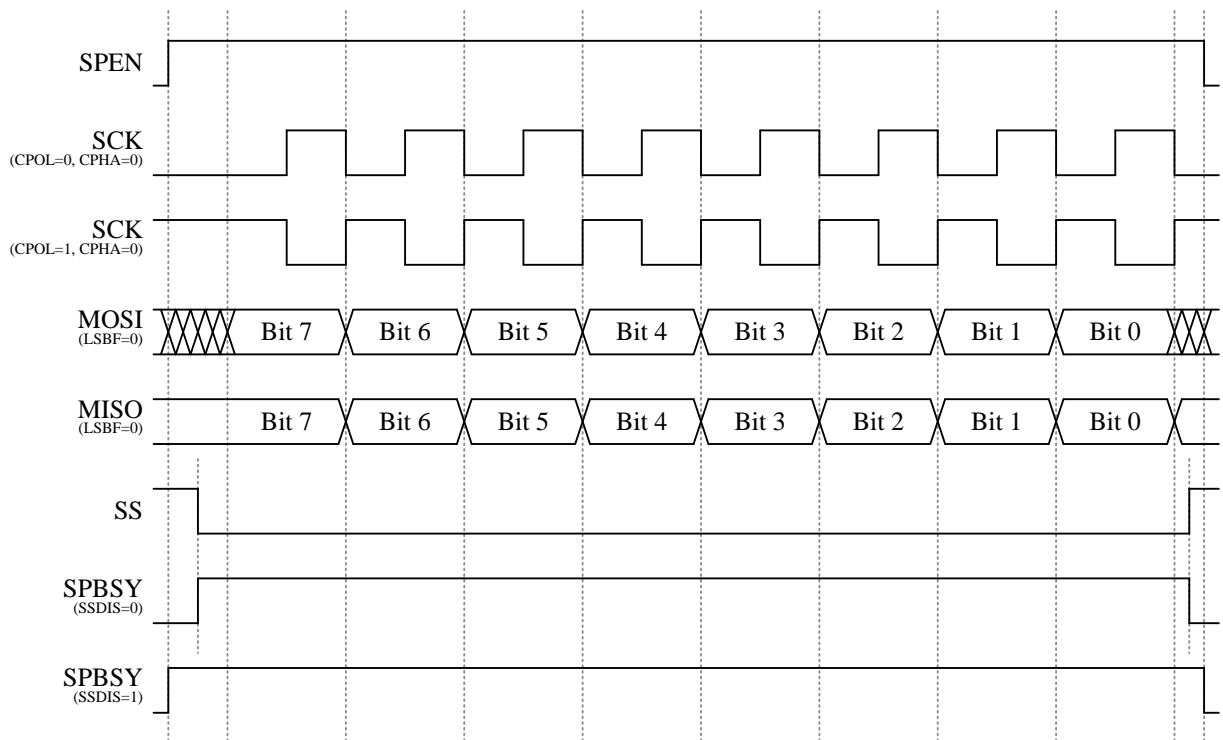
The SPI operates in Slave mode by clearing the MSTR bit in the SPCON. If the SSDIS is cleared, the transmission will start when the SS become low and remain low until the end of a data transfer. If the SSDIS is set, the transmission will start when the SPEN bit in the SPCON is set, and don't care the SS. The data from a master will shift into the shift register through the MOSI line, and shift out from the shift register on the MISO line. When a byte enters the shift register, the data will be transferred to receiver buffer if the RCVBF is cleared. If the RCVBF is set, the newer receive data will not be transferred to receiver buffer and the RCVOVF bit is set. After a byte enters the shift register, the SPIF and RCVBF bits are set. To prevent an overrun condition, software must read the SPDAT or write 0 to RCVBF before next byte enters the shift register. **The maximum SCK frequency allowed in Slave mode is $F_{SYSCLK}/4$.** In Slave mode, the SPBSY bit refers to the SS pin when the SSDIS bit is cleared, and refer to the SPEN bit when SSDIS bit is set.

Serial Clock

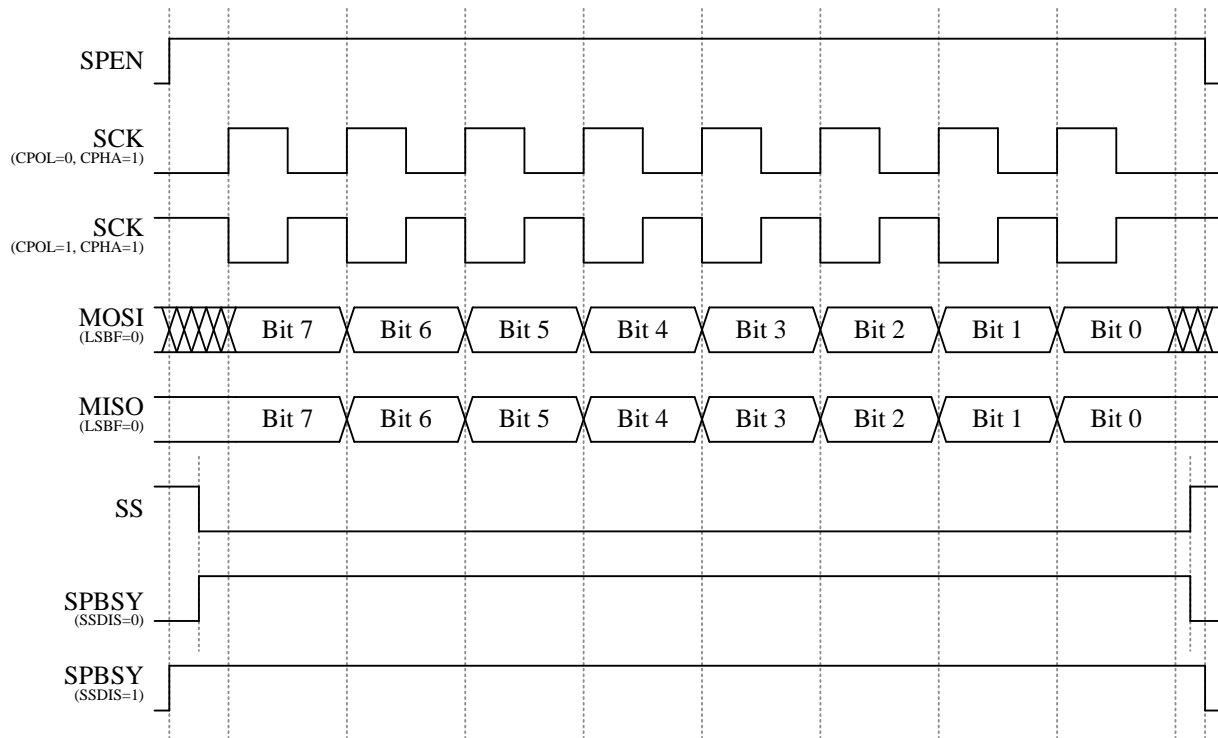
The SPI has four clock types by setting the CPOL and CPHA bits in the SPCON register. The CPOL bit defines the level of the SCK in SPI idle state. The level of the SCK in idle state is low when the CPOL bit is cleared, and is high when the CPOL bit is set. The CPHA bit defines the edges used to sample and shift data. The SPI sample data on the first edge of SCK period and shift data on the second edge of SCK period when the CPHA bit is cleared. The SPI sample data on the second edge of SCK period and shift data on first edge of SCK period when the CPHA bit is set. The figures below show the detail timing in Master and Slave modes. Both Master and Slave devices must be configured to use the same clock type before the SPEN bit is set. The SPCR controls the Master mode serial clock frequency. This register is ignored when operating in Slave mode. The SPI clock can select System clock divided by 2, 4, 8, or 16 in Master mode.



Master Mode Timing



Slave Mode Timing (CPHA=0)


Slave Mode Timing (CPHA=1)

In both Master and Slave modes, the SPIF bit is set by H/W at the end of a data transfer and generates an interrupt if SPI interrupt is enabled. The SPIF bit is cleared automatically when the program performs the interrupt service routines. S/W can also write 0 to clear this flag. If write data to SPDAT when the SPBSY is set, the WCOL bit will be set by H/W and generates an interrupt if SPI interrupt is enabled. When this occurs, the data write to SPDAT will be ignored, and shift register will not be written. Write 0 to this bit or when SPBSY is cleared and rewrite data to SPDAT will clear this flag. The MODF bit is set when SSDIS is cleared and SS pin is pulled low in Master mode. If SPI interrupt is enabled, an interrupt will be generated. When this bit is set, the SPEN and MSTR in SPCON will be cleared by H/W. Write 0 to this bit will clear this flag.

SFR BCh	Bit 7	Bit 6	Bit 5	Bit 4	Bit 3	Bit 2	Bit 1	Bit 0
SPCON	SPEN	MSTR	CPOL	CPHA	SSDIS	LSBF	SPCR	
R/W	R/W	R/W	R/W	R/W	R/W	R/W	R/W	
Reset	0	0	0	0	0	0	0	0

- BCh.7 **SPEN:** SPI enable
0: SPI disable
1: SPI enable
- BCh.6 **MSTR:** Master mode enable
0: Slave mode
1: Master mode
- BCh.5 **CPOL:** SPI clock polarity
0: SCK is low in idle state
1: SCK is high in idle state
- BCh.4 **CPHA:** SPI clock phase
0: Data sample on first edge of SCK period
1: Data sample on second edge of SCK period

- BCh.3 **SSDIS**: SS pin disable
 0: Enable SS pin
 1: Disable SS pin
- BCh.2 **LSBF**: LSB first
 0: MSB first
 1: LSB first
- BCh.1~0 **SPCR**: SPI clock rate
 00: $F_{SYSCLK}/2$
 01: $F_{SYSCLK}/4$
 10: $F_{SYSCLK}/8$
 11: $F_{SYSCLK}/16$

SFR BDh	Bit 7	Bit 6	Bit 5	Bit 4	Bit 3	Bit 2	Bit 1	Bit 0
SPSTA	SPIF	WCOL	MODF	RCVOVF	RCVBF	SPBSY	–	–
R/W	R/W	R/W	R/W	R/W	R/W	R	–	–
Reset	0	0	0	0	0	0	–	–

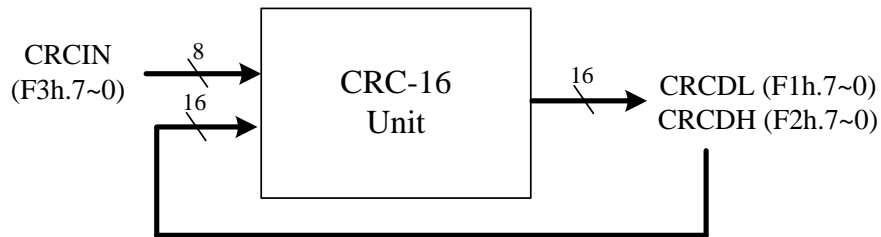
- BDh.7 **SPIF**: SPI interrupt flag
 This is set by H/W at the end of a data transfer. Cleared by H/W when an interrupt is vectored into. Writing 0 to this bit will clear this flag.
- BDh.6 **WCOL**: Write collision interrupt flag
 Set by H/W if write data to SPDAT when SPBSY is set. Write 0 to this bit or rewrite data to SPDAT when SPBSY is cleared will clear this flag.
- BDh.5 **MODF**: Mode fault interrupt flag
 Set by H/W when SSDIS is cleared and SS pin is pulled low in Master mode. Write 0 to this bit will clear this flag. When this bit is set, the SPEN and MSTR in SPCON will be cleared by H/W.
- BDh.4 **RCVOVF**: Received buffer overrun flag
 Set by H/W at the end of a data transfer and RCVBF is set. Write 0 to this bit or read SPDAT register will clear this flag.
- BDh.3 **RCVBF**: Receive buffer full flag
 Set by H/W at the end of a data transfer. Write 0 to this bit or read SPDAT register will clear this flag.
- BDh.2 **SPBSY**: SPI busy flag
 Set by H/W when a SPI transfer is in progress.

SFR BEh	Bit 7	Bit 6	Bit 5	Bit 4	Bit 3	Bit 2	Bit 1	Bit 0
SPDAT	SPDAT							
R/W	R/W							
Reset	0	0	0	0	0	0	0	0

- BEh.7~0 **SPDAT**: SPI transmit and receive data
 The SPDAT register is used to transmit and receive data. Writing data to SPDAT place the data into shift register and start a transfer when in master mode. Reading SPDAT returns the contents of the receive buffer.

16. Cyclic Redundancy Check (CRC)

The chip supports an integrated 16-bit Cyclic Redundancy Check function. The Cyclic Redundancy Check (CRC) calculation unit is an error detection technique test algorithm and uses to verify data transmission or storage data correctness. The CRC calculation takes a 8-bit data stream or a block of data as input and generates a 16-bit output remainder. The data stream is calculated by the same generator polynomial.



CRC Block Diagram

The CRC generator provides the 16-bit CRC result calculation based on the CRC-16-IBM polynomial. In this CRC generator, there are only one polynomial available for the numeric values calculation. It can't support the 16-bit CRC calculations based on any other polynomials. Each write operation to the CRCIN register creates a combination of the previous CRC value stored in the CRCDH and CRCDL registers. It will take one MCU instruction cycle to calculate.

CRC-16-IBM (Modbus) Polynomial representation: $X^{16} + X^{15} + X^2 + 1$

SFR F1h	Bit 7	Bit 6	Bit 5	Bit 4	Bit 3	Bit 2	Bit 1	Bit 0
CRCDL	CRCDL							
R/W	R/W							
Reset	1	1	1	1	1	1	1	1

F1h.7~0 **CRCDL**: 16-bit CRC checksum data bit 7~0

SFR F2h	Bit 7	Bit 6	Bit 5	Bit 4	Bit 3	Bit 2	Bit 1	Bit 0
CRCDH	CRCDH							
R/W	R/W							
Reset	1	1	1	1	1	1	1	1

F2h.7~0 **CRCDL**: 16-bit CRC checksum data bit 15~8

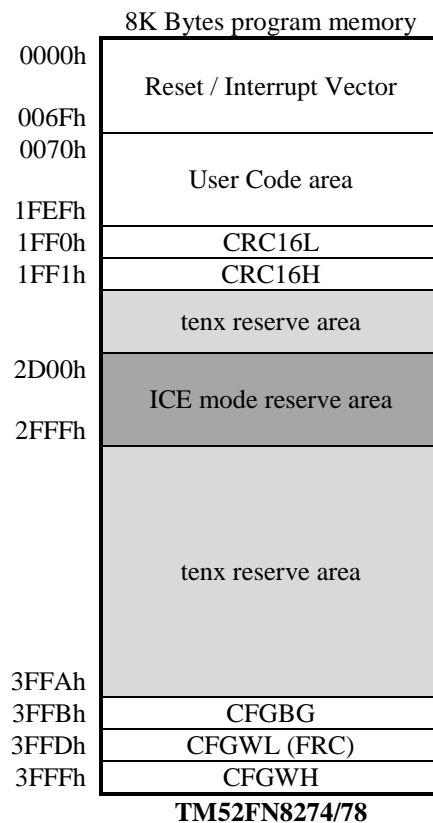
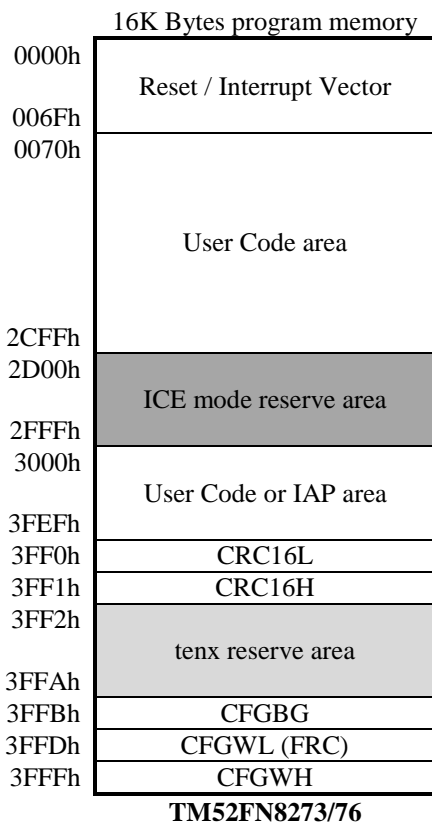
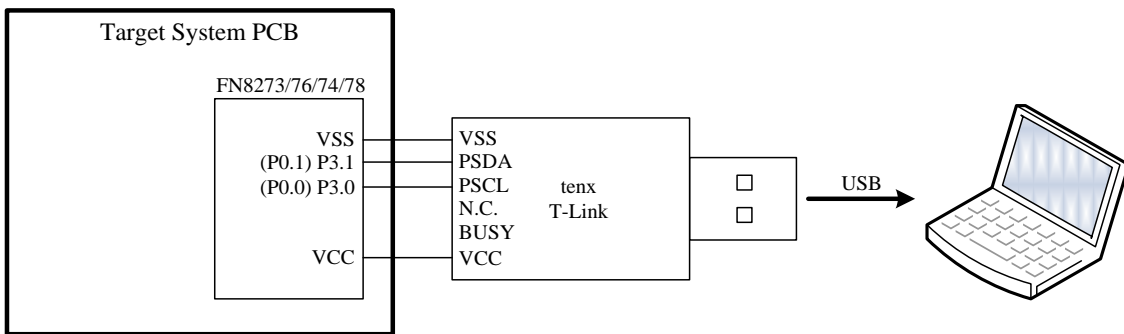
SFR F3h	Bit 7	Bit 6	Bit 5	Bit 4	Bit 3	Bit 2	Bit 1	Bit 0
CRCIN	CRCIN							
W	W							
Reset	-	-	-	-	-	-	-	-

F3h.7~0 **CRCIN**: CRC input data register

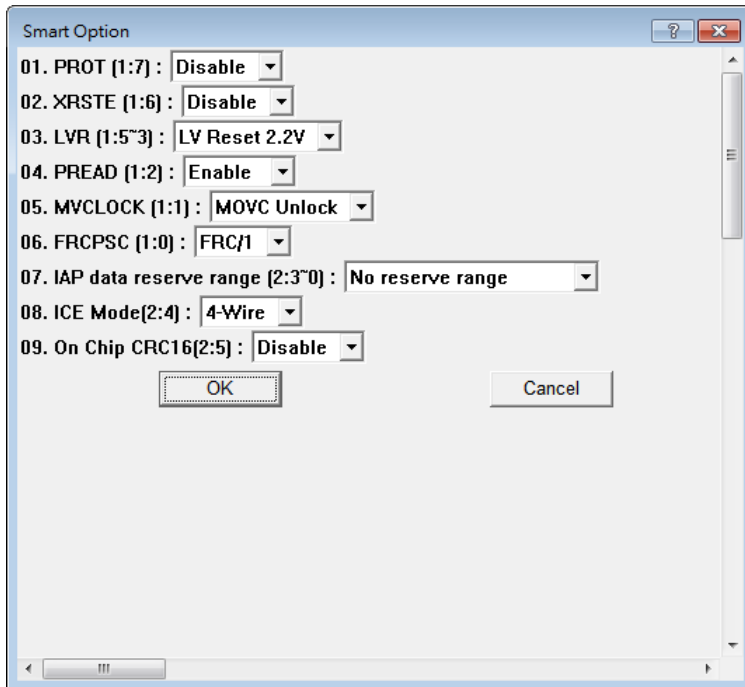
17. In Circuit Emulation (ICE) Mode

This device can support the In Circuit Emulation Mode. To use the ICE Mode, user just needs to connect P3.0 and P3.1 pin to the tenx proprietary EV Module. The benefit is that user can emulate the whole system without changing the on board target device. But there are some limits for the ICE mode as below.

1. The device must be un-protect.
2. The device's P3.0 and P3.1 pins must work in input Mode (P3MOD0 = 0/1 and P3MOD1=0/1).
3. The Program Memory's addressing space 2D00h~2FFFh and 0033h~003Ah are occupied by tenx EV module. So user Program cannot access these spaces.
4. The T-Link communication pin's function cannot be emulated.
5. The P3.0 and P3.1 pin's can be replaced by P0.0 and P0.1. (only in ICE Mode).
6. The V_{DD} level is controlled by T-Link module.



Introduction to ICE tool option settings :



No.	Item	Description
01	PROT	Enable: Flash code is protect, Writer cannot access the ROM code Disable: Flash code is not protect, Writer can access the ROM code (default)
02	XRSTE	Enable: P3.7 is external reset pin Disable: P3.7 is normal I/O pin (default)
03	LVRE	LV Reset 4.3V: LVR select 4.3V LV Reset 4.0V: LVR select 4.0V LV Reset 3.7V: LVR select 3.7V LV Reset 3.4V: LVR select 3.4V LV Reset 3.1V: LVR select 3.1V LV Reset 2.8V: LVR select 2.8V LV Reset 2.5V: LVR select 2.5V LV Reset 2.2V: LVR select 2.2V (default)
04	PREAD	Reserved
05	MVCLOCK	MOVC Lock: the MOVC & MOVX instruction's accessibility to MOVC-Lock area is limited. MOVC Unlock: the MOVC & MOVX instruction's accessibility to MOVC-Lock area is unlimited. (default)
06	FRCPSC	Reserved
07	IAP data reserve range	No reserve range: ROM range is not provided for IAP data (default) 16 bytes [3FE0~3FEF]: Reserve 16 bytes ROM range for IAP data use 48 bytes [3FC0~3FEF]: Reserve 48 bytes ROM range for IAP data use 240 bytes [3F00~3FEF]: Reserve 240 bytes ROM range for IAP data use 496 bytes [3E00~3FEF]: Reserve 496 bytes ROM range for IAP data use 1008 bytes [3C00~3FEF]: Reserve 1008 bytes ROM range for IAP data use 2032 bytes [3800~3FEF]: Reserve 2032 bytes ROM range for IAP data use 4080 bytes [3000~3FEF]: Reserve 4080 bytes ROM range for IAP data use
08	ICE Mode	Reserved
09	On Chip CRC16	Enable: On chip CRC-16 function enable Disable: On chip CRC-16 function disable (default)

SFR & CFGW MAP

Adr	RST	NAME	Bit 7	Bit 6	Bit 5	Bit 4	Bit 3	Bit 2	Bit 1	Bit 0
80h	0000-0000	P0	P0.7	P0.6	P0.5	P0.4	P0.3	P0.2	P0.1	P0.0
81h	0000-0111	SP	SP							
82h	0000-0000	DPL	DPL							
83h	0000-0000	DPH	DPH							
87h	0xxx-0000	PCON	SMOD	-	-	-	GF1	GF0	PD	IDL
88h	0000-0000	TCON	TF1	TR1	TF0	TR0	IE1	IT1	IE0	IT0
89h	0000-0000	TMOD	GATE1	CT1N	TMOD1		GATE0	CT0N	TMOD0	
8Ah	0000-0000	TL0	TL0							
8Bh	0000-0000	TL1	TL1							
8Ch	0000-0000	TH0	TH0							
8Dh	0000-0000	TH1	TH1							
8Eh	0100-0000	SCON2	SM	-	-	REN2	TB82	RB82	TI2	RI2
8Fh	xxxx-xxxx	SBUF2	SBUF2							
90h	1111-1111	P1	P1.7	P1.6	P1.5	P1.4	P1.3	P1.2	P1.1	P1.0
91h	0000-0000	P0OE	P0OE							
92h	0000-0000	P0LOE	P0LOE							
93h	xxxx-0101	P2MOD	-	-	-	-	P2MOD1		P2MOD0	
94h	0x00-00xx	OPTION	UART1W	-	WDTOSC		ADCKS		-	-
95h	xx00-x000	INTFLG	-	-	TKIF	ADIF	-	IE2	P1IF	TF3
96h	0000-0000	P1WKUP	-	-	-	-	P1WKUP			
97h	xxxx-xx00	SWCMD	IAPALL / SWRST / WDTO							
98h	0000-0000	SCON	SM0	SM1	SM2	REN	TB8	RB8	TI	RI
99h	xxxx-xxxx	SBUF	SBUF							
9Ah	1111-1111	PWM0PRD	PWM0PRD							
9Bh	1000-0000	PWM0DH	PWM0DH							
9Ch	1111-1111	PWM1PRD	PWM1PRD							
9Dh	1000-0000	PWM1DH	PWM1DH							
9Eh	1111-1111	PWM2PRD	PWM2PRD							
9Fh	1000-0000	PWM2DH	PWM2DH							
A0h	1111-1111	P2	P2.7	P2.6	P2.5	P2.4	P2.3	P2.2	P2.1	P2.0
A1h	1000-1000	PWMCON	PWM1CKS		PWM1DL		PWM0CKS		PWM0DL	
A2h	0101-0101	P1MODL	P1MOD3		P1MOD2		P1MOD1		P1MOD0	
A3h	0101-0101	P1MODH	P1MOD7		P1MOD6		P1MOD5		P1MOD4	
A4h	0101-0101	P3MODL	P3MOD3		P3MOD2		P3MOD1		P3MOD0	
A5h	0101-0101	P3MODH	P3MOD7		P3MOD6		P3MOD5		P3MOD4	
A6h	0000-1110	PINMOD	PWM1OE	PWM0OE	TCOE	T2OE	HSNK2EN	HSNK1EN	HSNK0EN	T0OE
A7h	xxx0-1000	PWMCON2	-	-	-	PWM2OE	PWM2CKS		PWM2DL	
A8h	0x00-0000	IE	EA	-	ET2	ES	ET1	EX1	ET0	EX0
A9h	xx00-0000	INTE1	-	-	ES2	SPIE	ADTKIE	EX2	P1IE	TM3IE
AAh	xxxx-xxxx	ADTKDT	ADCDL				TKDH			
ABh	xxxx-xxxx	ADCDH	ADCDH							
ACH	xxxx-xxxx	TKDL	TKDL							
ADh	x100-0000	TKFREQ	-	TKFREQ						
AEh	1x00-1111	TKCON	TKPD	TKEOC	TKIVCS	TKCHS				
AFh	0000-xxxx	P0ADIE	P0ADIE				-	-	-	-
B0h	1111-1111	P3	P3.7	P3.6	P3.5	P3.4	P3.3	P3.2	P3.1	P3.0
B1h	0000-0100	LEDCON	LEDEN		LEDPSC		LEDHOLD	LEDBRIT		
B2h	0100-x100	LEDCON2	LEDSMDIS	LEDBRIT2			-	LEDBRIT1		
B4h	1111-1111	TKTMRL	TKTMRL							
B5h	0100-0000	TKCON2	TKFJMP	TKFREQS	JMPVAL		TKTMRH			
B6h	xxxx-1111	ADCHS	-	-	-	-	ADCHS			
B7h	xxxx-xxxx	TKDHH	-	-	TKDHH					
B8h	xx00-0000	IP	-	-	PT2	PS	PT1	PX1	PT0	PX0
B9h	xx00-0000	IPH	-	-	PT2H	PSH	PT1H	PX1H	PT0H	PX0H
BAh	xx00-0000	IP1	-	-	PS2	PSPI	PADTKI	PX2	PP1	PT3
BBh	xx00-0000	IP1H	-	-	PS2H	PSPIH	PADTKIH	PX2H	PP1H	PT3H
BCb	0000-0000	SPCON	SPEN	MSTR	CPOL	CPHA	SSDIS	LSBF	SPCR	
BDh	0000-0xxx	SPSTA	SPIF	WCOL	MODF	RCVOVF	RCVBF	SPBSY	-	-

Adr	RST	NAME	Bit 7	Bit 6	Bit 5	Bit 4	Bit 3	Bit 2	Bit 1	Bit 0
BEh	0000-0000	SPDAT	SPDAT							
C8h	0000-0000	T2CON	TF2	EXF2	RCLK	TCLK	EXEN2	TR2	CT2N	CPRL2N
C9h	000x-xxxx	IAPWE	IAPWE / IAPTO / EEPWE							
CAh	0000-0000	RCP2L	RCP2L							
CBh	0000-0000	RCP2H	RCP2H							
CCh	0000-0000	TL2	TL2							
CDh	0000-0000	TH2	TH2							
D0h	0000-0000	PSW	CY	AC	F0	RS1	RS0	OV	F1	P
D1h	0000-0000	PILOE	PILOE							
D2h	xxxx-xx00	P2LOE	-	-	-	-	-	-	P2LOE	
D3h	0000-0000	P3LOE	P3LOE							
D8h	0010-0011	CLKCON	SCKTYPE	FCKTYPE	STPSCK	STPPCK	STPFCK	SELFCK	CLKPSC	
E0h	0000-0000	ACC	ACC.7	ACC.6	ACC.5	ACC.4	ACC.3	ACC.2	ACC.1	ACC.0
E5h	0000-0000	EFTCON	EFT2CS	EFT1CS	EFT1S		EFTSLOW	EFTWCPU	EFTWOUT	CKHLDE
EFh	xx00-0000	AUX3	-	-	TM3PSC			VBGEN	ADCVERFS	
F0h	0000-0000	B	B.7	B.6	B.5	B.4	B.3	B.2	B.1	B.0
F1h	1111-1111	CRCDL	CRCDL							
F2h	1111-1111	CRCDH	CRCDH							
F3h	0000-0000	CRCIN	CRCIN							
F5h	xxxx-xxxx	CFGBG	-	-	-	BGTRIM				
F6h	xxxx-xxxx	CFGWL	-	FRCF						
F7h	0000-0110	AUX2	WDTE		PWRSVAV	VBGOUT	-	IAPTE		LVRPD
F8h	0000-0000	AUX1	CLRWDT	CLRTM3	TKSOC	ADSOC	CLRPWM0	T2SEL	T1SEL	DPSEL

Flash Address	NAME	Bit 7	Bit 6	Bit 5	Bit 4	Bit 3	Bit 2	Bit 1	Bit 0
3FFBh	CFGBG	-	-	-	BGTRIM				
3FFDh	CFGWL	-	FRCF						
3FFFh	CFGWH	PROT	XRSTE	LVRE			PREAD	MVCLOCK	FRCPC

SFR & CFGW DESCRIPTION

Adr	SFR	Bit#	Bit Name	R/W	Rst	Description
80h	P0	7~0	P0	R/W	00h	Port0 data
81h	SP	7~0	SP	R/W	07h	Stack Point
82h	DPL	7~0	DPL	R/W	00h	Data Point low byte
83h	DPH	7~0	DPH	R/W	00h	Data Point high byte
87h	PCON	7	SMOD	R/W	0	Set 1 to enable UART1 double baud rate
		3	GF1	R/W	0	General purpose flag bit
		2	GF0	R/W	0	General purpose flag bit
		1	PD	R/W	0	Power down control bit, set 1 to enter Halt/Stop mode
		0	IDL	R/W	0	Idle control bit, set 1 to enter Idle mode
88h	TCON	7	TF1	R/W	0	Timer1 overflow flag Set by H/W when Timer/Counter 1 overflows. Cleared by H/W when CPU vectors into the interrupt service routine.
		6	TR1	R/W	0	Timer1 run control. 1: timer runs; 0: timer stops
		5	TF0	R/W	0	Timer0 overflow flag Set by H/W when Timer/Counter 0 overflows. Cleared by H/W when CPU vectors into the interrupt service routine.
		4	TR0	R/W	0	Timer0 run control. 1:timer runs; 0:timer stops
		3	IE1	R/W	0	External Interrupt 1 (INT1 pin) edge flag Set by H/W when an INT1 pin falling edge is detected. Cleared by H/W when CPU vectors into the interrupt service routine.
		2	IT1	R/W	0	External Interrupt 1 control bit 0: Low level active (level triggered) for INT1 pin 1: Falling edge active (edge triggered) for INT1 pin
		1	IE0	R/W	0	External Interrupt 0 (INT0 pin) edge flag Set by H/W when an INT0 pin falling edge is detected. Cleared by H/W when CPU vectors into the interrupt service routine.
		0	IT0	R/W	0	External Interrupt 0 control bit 0: Low level active (level triggered) for INT0 pin 1: Falling edge active (edge triggered) for INT0 pin
89h	TMOD	7	GATE1	R/W	0	Timer1 gating control bit 0: Timer1 enable when TR1 bit is set 1: Timer1 enable only while the INT1 pin is high and TR1 bit is set
		6	CT1N	R/W	0	Timer1 Counter/Timer select bit 0: Timer mode, Timer1 data increases at 2 System clock cycle rate 1: Counter mode, Timer1 data increases at T1 pin's negative edge
		5~4	TMOD1	R/W	00	Timer1 mode select 00: 8-bit timer/counter (TH1) and 5-bit prescaler (TL1) 01: 16-bit timer/counter 10: 8-bit auto-reload timer/counter (TL1). Reloaded from TH1 at overflow. 11: Timer1 stops
		3	GATE0	R/W	0	Timer0 gating control bit 0: Timer0 enable when TR0 bit is set 1: Timer0 enable only while the INT0 pin is high and TR0 bit is set
		2	CT0N	R/W	0	Timer0 Counter/Timer select bit 0: Timer mode, Timer0 data increases at 2 System clock cycle rate 1: Counter mode, Timer0 data increases at T0 pin's negative edge
		1~0	TMOD0	R/W	00	Timer0 mode select 00: 8-bit timer/counter (TH0) and 5-bit prescaler (TL0) 01: 16-bit timer/counter 10: 8-bit auto-reload timer/counter (TL0). Reloaded from TH0 at overflow. 11: TL0 is an 8-bit timer/counter. TH0 is an 8-bit timer/counter using Timer1's TR1 and TF1 bits.
		8Ah	TL0	7~0	TL0	R/W
8Bh	TL1	7~0	TL1	R/W	00h	Timer1 data low byte
8Ch	TH0	7~0	TH0	R/W	00h	Timer0 data high byte
8Dh	TH1	7~0	TH1	R/W	00h	Timer1 data high byte

Adr	SFR	Bit#	Bit Name	R/W	Rst	Description
8Eh	SCON2	7	SM	R/W	0	UART2 Serial port mode select bit 0: Mode1: 8 bit UART2, Baud Rate is variable 1: Mode3: 9 bit UART2, Baud Rate is variable
		4	REN2	R/W	0	UART2 reception enable 0: Disable reception 1: Enable reception
		3	TB82	R/W	0	Transmit Bit 8, the ninth bit to be transmitted in Mode3
		2	RB82	R/W	0	Receive Bit 8, contains the ninth bit that was received in Mode3
		1	TI2	R/W	0	Transmit interrupt flag Set by H/W at the beginning of the stop bit in Mode 1 & 3. Must be cleared by S/W.
		0	RI2	R/W	0	Receive interrupt flag Set by H/W at the sampling point of the stop bit in Mode 1 & 3. Must be cleared by S/W.
8Fh	SBUF2	7~0	SBUF2	R/W	-	UART2 transmit and receive data. Transmit data is written to this location and receive data is read from this location, but the paths are independent.
90h	P1	7~0	P1	R/W	FFh	Port1 data
91h	P0OE	7~0	P0OE	R/W	00h	Port0 CMOS Push-Pull output enable control 0: Disable 1: Enable
92h	P0LOE	7~0	P0LOE	R/W	00h	Port0 LCD 1/2 bias output enable control 0: Disable 1: Enable
93h	P2MOD	3~2	P2MOD1	R/W	01	P2.1 Pin Control 00: Mode0; 01: Mode1; 10: Mode2 11: not defined
		1~0	P2MOD0	R/W	01	P2.0 Pin Control 00: Mode0; 01: Mode1; 10: Mode2 11: not defined
94h	OPTION	7	UART1W	R/W	0	Set 1 to enable one wire UART1 mode, both TXD/RXD use P3.1 pin.
		5~4	WDTPSC	R/W	00	Watchdog Timer pre-scalar time select 00: 400ms WDT overflow rate 01: 200ms WDT overflow rate 10: 100ms WDT overflow rate 11: 50ms WDT overflow rate
		3~2	ADCKS	R/W	00	ADC clock rate select 00: F _{SYSCLK} /32 01: F _{SYSCLK} /16 10: F _{SYSCLK} /8 11: F _{SYSCLK} /4
95h	INTFLG	5	TKIF	R/W	0	Touch Key Interrupt Flag Set by H/W at the end of TK conversion if SYSCLK is fast enough. S/W writes DFh to INTFLG or sets the TKSOC bit to clear this flag.
		4	ADIF	R/W	0	ADC interrupt flag Set by H/W at the end of ADC conversion. S/W writes EFh to INTFLG or sets the ADSOC bit to clear this flag.
		2	IE2	R/W	0	External Interrupt 2 (INT2 pin) edge flag Set by H/W when a falling edge is detected on the INT2 pin, no matter the EX2 is 0 or 1. It is cleared automatically when the program performs the interrupt service routine. S/W can write FBh to INTFLG to clear this bit.
		1	P1IF	R/W	0	P1.0~P1.3 pin change Interrupt flag Set by H/W when a P1.0~P1.3 pin state change is detected and its interrupt enable bit is set (P1WKUP). P1IE does not affect this flag's setting. It is cleared automatically when the program performs the interrupt service routine. S/W can write FDh to INTFLG to clear this bit.
		0	TF3	R/W	0	Timer3 Interrupt Flag Set by H/W when Timer3 reaches TM3PSC setting cycles. It is cleared automatically when the program performs the interrupt service routine. S/W can write FEh to INTFLG to clear this bit.

Adr	SFR	Bit#	Bit Name	R/W	Rst	Description
96h	P1WKUP	7~4	-	R/W	0000	Reserved, Keep 0
		3~0	P1WKUP	R/W	0000	P1.3~P1.0 pin individual Wake-up/Interrupt enable control 0: Disable; 1: Enable.
97h	SWCMD	7~0	SWRST	W		Write 56h to generate S/W Reset
		7~0	IAPALL	W		Write 65h to set IAPALL control flag; Write other value to clear IAPALL flag. It is recommended to clear it immediately after IAP access.
		1	WDTO	R	0	WatchDog Time-Out flag
		0	IAPALL	R	0	Flag indicates Flash memory sectors can be accessed by IAP or not. This bit combines with MVCLOCK to define the accessible IAP area.
98h	SCON	7	SM0	R/W	0	UART1 Serial port mode select bit 0, 1 (SM0, SM1) = 00: Mode0: 8 bit shift register, Baud Rate= $F_{SYSCLK}/2$ 01: Mode1: 8 bit UART1, Baud Rate is variable 10: Mode2: 9 bit UART1, Baud Rate= $F_{SYSCLK}/32$ or /64 11: Mode3: 9 bit UART1, Baud Rate is variable
		6	SM1	R/W	0	
		5	SM2	R/W	0	Serial port mode select bit 2 SM2 enables multiprocessor communication over a single serial line and modifies the above as follows. In Modes 2 & 3, if SM2 is set then the received interrupt will not be generated if the received ninth data bit is 0. In Mode 1, the received interrupt will not be generated unless a valid stop bit is received. In Mode 0, SM2 should be 0.
		4	REN	R/W	0	Set 1 to enable UART1 Reception
		3	TB8	R/W	0	Transmitter bit 8, ninth bit to transmit in Modes 2 and 3
		2	RB8	R/W	0	Receive Bit 8, contains the ninth bit that was received in Mode 2 and 3 or the stop bit is Mode 1 if SM2=0
		1	TI	R/W	0	Transmit Interrupt flag Set by H/W at the end of the eighth bit in Mode 0, or at the beginning of the stop bit in other modes. Must be cleared by S/W
		0	RI	R/W	0	Receive Interrupt flag Set by H/W at the end of the eighth bit in Mode 0, or at the sampling point of the stop bit in other modes. Must be cleared by S/W.
		99h	SBUF	7~0	SBUF	R/W
9Ah	PWM0PRD	7~0	PWM0PRD	R/W	FFh	PWM0 8-bit period register
9Bh	PWM0DH	7~0	PWM0DH	R/W	80h	bits 9~2 of the PWM0 10-bit duty register
9Ch	PWM1PRD	7~0	PWM1PRD	R/W	FFh	PWM1 8-bit period register
9Dh	PWM1DH	7~0	PWM1DH	R/W	80h	bits 9~2 of the PWM1 10-bit duty register
9Eh	PWM2PRD	7~0	PWM2PRD	R/W	FFh	PWM2 8-bit period register
9Fh	PWM2DH	7~0	PWM2DH	R/W	80h	bits 9~2 of the PWM2 10-bit duty register
A0h	P2	7~2	P2.7~P2.2	R/W	3Fh	P2.7~P2.2 have no pin out, so these bits are used as general purpose register
		1~0	P2.1~P2.0	R/W	11	P2.1~P2.0 data
A1h	PWMCON	7~6	PWM1CKS	R/W	10	PWM1 clock source 00: $F_{SYSCLK}/4$ 01: $F_{SYSCLK}/2$ 10: F_{SYSCLK} 11: FRC
		5~4	PWM1DL	R/W	00	bits 1~0 of the PWM1 10-bit duty register
		3~2	PWM0CKS	R/W	10	PWM0 clock source 00: $F_{SYSCLK}/4$ 01: $F_{SYSCLK}/2$ 10: F_{SYSCLK} 11: FRC
		1~0	PWM0DL	R/W	00	bits 1~0 of the PWM0 10-bit duty register
A2h	P1MODL	7~6	P1MOD3	R/W	01	P1.3 Pin Control 00: Mode0; 01: Mode1; 10: Mode2 11: Mode3, P1.3 is ADC input
		5~4	P1MOD2	R/W	01	P1.2 Pin Control 00: Mode0; 01: Mode1; 10: Mode2 11: Mode3, P1.2 is ADC input

Adr	SFR	Bit#	Bit Name	R/W	Rst	Description
		3~2	P1MOD1	R/W	01	P1.1 Pin Control 00: Mode0; 01: Mode1; 10: Mode2 11: Mode3, P1.1 is ADC input
		1~0	P1MOD0	R/W	01	P1.0 Pin Control 00: Mode0; 01: Mode1; 10: Mode2 11: Mode3, P1.0 is ADC input
A3h	P1MODH	7~6	P1MOD7	R/W	01	P1.7 Pin Control 00: Mode0; 01: Mode1; 10: Mode2 11: Mode3
		5~4	P1MOD6	R/W	01	P1.6 Pin Control 00: Mode0; 01: Mode1; 10: Mode2 11: Mode3
		3~2	P1MOD5	R/W	01	P1.5 Pin Control 00: Mode0; 01: Mode1; 10: Mode2 11: Mode3, P1.5 is ADC input
		1~0	P1MOD4	R/W	01	P1.4 Pin Control 00: Mode0; 01: Mode1; 10: Mode2 11: Mode3, P1.4 is ADC input
A4h	P3MODL	7~6	P3MOD3	R/W	01	P3.3 Pin Control 00: Mode0; 01: Mode1; 10: Mode2 11: Mode3, P3.3 is ADC input
		5~4	P3MOD2	R/W	01	P3.2 Pin Control 00: Mode0; 01: Mode1; 10: Mode2 11: Mode3, P3.2 is ADC input
		3~2	P3MOD1	R/W	01	P3.1 Pin Control 00: Mode0; 01: Mode1; 10: Mode2 11: Mode3, P3.1 is ADC input
		1~0	P3MOD0	R/W	01	P3.0 Pin Control 00: Mode0; 01: Mode1; 10: Mode2 11: Mode3, P3.0 is ADC input
A5h	P3MODH	7~6	P3MOD7	R/W	01	P3.7 Pin Control 00: Mode0; 01: Mode1; 10: Mode2 11: Mode3
		5~4	P3MOD6	R/W	01	P3.6 Pin Control 00: Mode0; 01: Mode1; 10: Mode2 11: Mode3
		3~2	P3MOD5	R/W	01	P3.5 Pin Control 00: Mode0; 01: Mode1; 10: Mode2 11: Mode3
		1~0	P3MOD4	R/W	01	P3.4 Pin Control 00: Mode0; 01: Mode1; 10: Mode2 11: Mode3
A6h	PINMOD	7	PWM1OE	R/W	0	PWM1 control 0: PWM1 disable 1: PWM1 enable and signal output to P1.3 pin
		6	PWM0OE	R/W	0	PWM0 control 0: PWM0 disable 1: PWM0 enable and signal output to P1.2 pin
		5	TCOE	R/W	0	Set 1 to enable "System clock divided by 2" (CKO) output to P1.4 pin
		4	T2OE	R/W	0	Set 1 to enable "Timer2 overflow divided by 2" (T2O) output to P1.0 pin
		3	HSNK2EN	R/W	1	Pin H-sink enable (Group 2: P06, P07, P22~P25, P30~P33) 0: Group 2 High-sink disable 1: Group 2 High-sink enable
		2	HSNK1EN	R/W	1	Pin H-sink enable (Group 1: P04, P05, P10~P17) 0: Group 1 High-sink disable 1: Group 2 High-sink enable
		1	HSNK0EN	R/W	1	Pin H-sink enable (Group 0: P00~P03, P20, P21, P34~P37) 0: Group 0 High-sink disable 1: Group 2 High-sink enable
		0	T0OE	R/W	0	Set 1 to enable "Timer0 overflow divided by 64" (T0O) output to P3.4 pin

Adr	SFR	Bit#	Bit Name	R/W	Rst	Description
A7h	PWMCON2	4	PWM2OE	R/W	0	PWM2 control 0: PWM2 disable 1: PWM2 enable and signal output to P1.6 pin
		3~2	PWM2CKS	R/W	10	PWM2 clock source 00: F _{SYSClk} /4 01: F _{SYSClk} /2 10: F _{SYSClk} 11: FRC
		1~0	PWM2DL	R/W	00	bits 1~0 of the PWM2 10-bit duty register
A8h	IE	7	EA	R/W	0	Global interrupt enable control. 0: Disable all Interrupts. 1: Each interrupt is enabled or disabled by its own interrupt control bit.
		5	ET2	R/W	0	Set 1 to enable Timer2 interrupt
		4	ES	R/W	0	Set 1 to enable Serial Port (UART1) Interrupt
		3	ET1	R/W	0	Set 1 to enable Timer1 Interrupt
		2	EX1	R/W	0	Set 1 to enable external INT1 pin Interrupt & Halt/Stop mode wake up capability
		1	ET0	R/W	0	Set 1 to enable Timer0 Interrupt
		0	EX0	R/W	0	Set 1 to enable external INT0 pin Interrupt & Halt/Stop mode wake up capability
A9h	INTE1	5	ES2	R/W	0	Set 1 to enable Serial Port (UART2) interrupt
		4	SPIE	R/W	0	Set 1 to enable SPI interrupt
		3	ADTKIE	R/W	0	Set 1 to enable ADC/Touch Key Interrupt
		2	EX2	R/W	0	Set 1 to enable external INT2 pin Interrupt & Halt/Stop mode wake up capability
		1	PIIE	R/W	0	Set 1 to enable P1.0~P1.3 Pin Change Interrupt
		0	TM3IE	R/W	0	Set 1 to enable Timer3 Interrupt
AAh	ADTKDT	7~4	ADC DL	R	-	ADC data bit 3~0
		3~0	TKDH	R	-	Touch Key counter data bit 11~8
ABh	ADC DH	7~0	ADC DH	R	-	ADC data bit 11~4
ACh	TKDL	7~0	TKDL	R	-	Touch Key counter data bit 7~0
ADh	TKFREQ	6~0	TKFREQ	R/W	40h	Touch Key oscillation capacitor adjustment 00: TKDATA is smallest ... 7F: TKDATA is biggest
AEh	TKCON	7	TKPD	R/W	1	Touch Key Power Down 0: Touch Key enable 1: Touch Key disable
		6	TKEOC	R	1	Touch Key end of conversion flag 0: Indicates conversion is in progress 1: Indicates conversion is finished
		5	TKIVCS	R/W	0	Touch Key internal LDO voltage control 0: 1.4V 1: 1.8V
		4~0	TKCHS	R/W	01111	Touch Key channel select 00000: TK0 (P3.3) 01010: TK10 (P0.4) 00001: TK1 (P3.2) 01011: TK11 (P0.5) 00010: TK2 (P3.1) 01100: TK12 (P0.6) 00011: TK3 (P3.0) 01101: TK13 (P3.4) 00100: TK4 (P1.0) 01110: TK14 (P1.5) 00101: TK5 (P1.1) 01111: internal reference key 00110: TK6 (P1.2) 10000: TK16 (P1.7) 00111: TK7 (P1.3) 10001: TK17 (P3.6) 01000: TK8 (P1.4) 10010: TK18 (P3.5) 01001: TK9 (P1.6) 10011: TK19 (P3.7)

Adr	SFR	Bit#	Bit Name	R/W	Rst	Description
AfH	P0ADIE	7~4	P0ADIE	R/W	0000	ADC channel input Enable 0000: P0.7~P0.4 are digital input 1xxx: P0.7 is ADC input x1xx: P0.6 is ADC input xx1x: P0.5 is ADC input xxx1: P0.4 is ADC input
B0h	P3	7~0	P3	R/W	FFh	Port3 data
B1h	LEDCON	7~6	LEDEN	R/W	00	LED enable and duty select 00: LED disable 01: LED 1/8 duty (4COM x 4SEG) 10: LED 1/9 duty (4COM x 5SEG) 11: LED 1/10 duty (4COM x 6SEG)
		5~4	LEDPSC	R/W	00	LED clock prescaler select 00: LED clock is FRC divided by 64 01: LED clock is FRC divided by 32 10: LED clock is FRC divided by 16 11: LED clock is FRC divided by 8
		3	LEDHOLD	R/W	0	LED hold function 0: Release to run LED scanning 1: Hold LED scanning, all LED pins state are Hi-Z
		2~0	LEDBRIT	R/W	100	LED COM0+ ~ COM3+ & SEG0+ ~ SEG3+ (LED number 0~31, 40~47) brightness select 000: Level 0 (Darkest) ... 111: Level 7 (Brightest)
B2h	LENCON2	7	LEDSMDIS	R/W	0	LED brightness smooth control 0: Brightness smooth enable 1: Brightness smooth disable
		6~4	LEDBRIT2	R/W	100	LED SEG5+ (LED number 33, 35, 37, 39) brightness select 000: Level 0 (Darkest) ... 111: Level 7 (Brightest)
		2~0	LEDBRIT1	R/W	100	LED SEG4+ (LED number 32, 34, 36, 38) brightness select 000: Level 0 (Darkest) ... 111: Level 7 (Brightest)
B4h	TKTMRL	7~0	TKTMRL	R/W	FFh	Touch Key reference counter bit 7~0
B5h	TKCON2	7	TKFJMP	R/W	0	Touch Key clock frequency auto-change selection 0: fix frequency 1: auto-change
		6	TKFREQS	R/W	0	Touch Key reference clock frequency select slow or fast
		5~4	JMPVAL	R/W	00	Touch Key clock frequency fine tune (only available in TKFJMP=0) 00: frequency slowest 11: frequency fastest
		3~0	TKTMRH	R/W	0	Touch Key reference counter bit 11~8
B6h	ADCHS	3~0	ADCHS	R/W	1111	ADC channel select 0000: AD0 (P3.3) 0001: AD1 (P3.2) 0010: AD2 (P3.1) 0011: AD3 (P3.0) 0100: AD4 (P1.0) 0101: AD5 (P1.1) 0110: AD6 (P1.2) 0111: AD7 (P1.3) 1000: AD8 (P1.4) 1001: AD9 (P1.5) 1010: AD10 (P0.7) 1011: V _{BG} (Internal Bandgap Reference Voltage) 1100: AD12 (P0.4) 1101: AD13 (P0.5) 1110: AD14 (P0.6) 1111: V _{CC} /4

Adr	SFR	Bit#	Bit Name	R/W	Rst	Description
B7h	TKDHH	5~0	TKDHH	R	–	Touch Key counter data bit 13~8
B8h	IP	5	PT2	R/W	0	Timer2 Interrupt Priority Low bit
		4	PS	R/W	0	Serial Port (UART1) Interrupt Priority Low bit
		3	PT1	R/W	0	Timer1 Interrupt Priority Low bit
		2	PX1	R/W	0	External INT1 Pin Interrupt Priority Low bit
		1	PT0	R/W	0	Timer0 Interrupt Priority Low bit
		0	PX0	R/W	0	External INT0 Pin Interrupt Priority Low bit
B9h	IPH	5	PT2H	R/W	0	Timer2 Interrupt Priority High bit
		4	PSH	R/W	0	Serial Port (UART1) Interrupt Priority High bit
		3	PT1H	R/W	0	Timer1 Interrupt Priority High bit
		2	PX1H	R/W	0	External INT1 Pin Interrupt Priority High bit
		1	PT0H	R/W	0	Timer0 Interrupt Priority High bit
		0	PX0H	R/W	0	External INT0 Pin Interrupt Priority High bit
BAh	IP1	5	PS2	R/W	0	Serial Port (UART2) interrupt priority low bit
		4	PSPI	R/W	0	SPI interrupt priority low bit
		3	PADTKI	R/W	0	ADC/Touch Key Interrupt Priority Low bit
		2	PX2	R/W	0	External INT2 Pin Interrupt Priority Low bit
		1	PP1	R/W	0	P1.0~P1.3 pin change Interrupt Priority Low bit
		0	PT3	R/W	0	Timer3 Interrupt Priority Low bit
BBh	IP1H	5	PS2H	R/W	0	Serial Port (UART2) interrupt priority high bit
		4	PSPIH	R/W	0	SPI interrupt priority high bit
		3	PADTKIH	R/W	0	ADC/Touch Key Interrupt Priority High bit
		2	PX2H	R/W	0	External INT2 Pin Interrupt Priority High bit
		1	PP1H	R/W	0	P1.0~P1.3 Interrupt Priority High bit
		0	PT3H	R/W	0	Timer3 Interrupt Priority High bit
BCh	SPCON	7	SPEN	R/W	0	SPI enable 0: SPI disable 1: SPI enable
		6	MSTR	R/W	0	Master mode enable 0: Slave mode 1: Master mode
		5	CPOL	R/W	0	SPI clock polarity 0: SCK is low in idle state 1: SCK is high in idle state
		4	CPHA	R/W	0	SPI clock phase 0: Data sample on first edge of SCK period 1: Data sample on second edge of SCK period
		3	SSDIS	R/W	0	SS pin disable 0: Enable SS pin 1: Disable SS pin
		2	LSBF	R/W	0	LSB first 0: MSB first 1: LSB first
		1~0	SPCR	R/W	00	SPI clock rate 00: F _{SYSClk} /2 01: F _{SYSClk} /4 10: F _{SYSClk} /8 11: F _{SYSClk} /16
BDh	SPSTA	7	SPIF	R/W	0	SPI interrupt flag This is set by H/W at the end of a data transfer. Cleared by H/W when an interrupt is vectored into. Writing 0 to this bit will clear this flag.
		6	WCOL	R/W	0	Write collision interrupt flag Set by H/W if write data to SPDAT when SPBSY is set. Write 0 to this bit or rewrite data to SPDAT when SPBSY is cleared will clear this flag.

Adr	SFR	Bit#	Bit Name	R/W	Rst	Description
		5	MODF	R/W	0	Mode fault interrupt flag Set by H/W when SSDIS is cleared and SS pin is pulled low in Master mode. Write 0 to this bit will clear this flag. When this bit is set, the SPEN and MSTR in SPCON will be cleared by H/W.
		4	RCVOVF	R/W	0	Received buffer overrun flag Set by H/W at the end of a data transfer and RCVBF is set. Write 0 to this bit or read SPDAT register will clear this flag.
		3	RCVBF	R/W	0	Receive buffer full flag Set by H/W at the end of a data transfer. Write 0 to this bit or read SPDAT register will clear this flag.
		2	SPBSY	R	0	SPI busy flag Set by H/W when a SPI transfer is in progress.
BEh	SPDAT	7~0	SPDAT	R/W	0	SPI transmit and receive data The SPDAT register is used to transmit and receive data. Writing data to SPDAT place the data into shift register and start a transfer when in master mode. Reading SPDAT returns the contents of the receive buffer.
C8h	T2CON	7	TF2	R/W	0	Timer2 overflow flag Set by H/W when Timer/Counter 2 overflows unless RCLK=1 or TCLK=1. This bit must be cleared by S/W.
		6	EXF2	R/W	0	T2EX interrupt pin falling edge flag Set when a capture or a reload is caused by a negative transition on T2EX pin if EXEN2=1. This bit must be cleared by S/W.
		5	RCLK	R/W	0	UART receive clock control bit 0: Use Timer1 overflow as receive clock for serial port in mode 1 or 3 1: Use Timer2 overflow as receive clock for serial port in mode 1 or 3
		4	TCLK	R/W	0	UART transmit clock control bit 0: Use Timer1 overflow as transmit clock for serial port in mode 1 or 3 1: Use Timer2 overflow as transmit clock for serial port in mode 1 or 3
		3	EXEN2	R/W	0	T2EX pin enable 0: T2EX pin disable 1: T2EX pin enable, it cause a capture or reload when a negative transition on T2EX pin is detected if RCLK=TCLK=0
		2	TR2	R/W	0	Timer2 run control 0:timer stops 1:timer runs
		1	CT2N	R/W	0	Timer2 Counter/Timer select bit 0: Timer mode, Timer2 data increases at 2 System clock cycle rate 1: Counter mode, Timer2 data increases at T2 pin's negative edge
		0	CPRL2N	R/W	0	Timer2 Capture/Reload control bit 0: Reload mode, auto-reload on Timer2 overflows or negative transitions on T2EX pin if EXEN2=1. 1: Capture mode, capture on negative transitions on T2EX pin if EXEN2=1. If RCLK=1 or TCLK=1, CPRL2N is ignored and timer is forced to auto-reload on Timer2 overflow.
C9h	IAPWE	7~0	IAPWE	W	-	Write 47h to set IAPWE control flag; Write other value to clear IAPWE and EEPWE flag. It is recommended to clear it immediately after IAP write.
		7~0	EEPWE	W	-	Write E2h to set EEPWE control flag; Write other value to clear IAPWE and EEPWE flag. It is recommended to clear it immediately after EEPROM write.
		7	IAPWE	R	0	Flag indicates Flash memory can be written by IAP or not 0: IAP Write disable 1: IAP Write enable
		6	IAPTO	R	0	IAP (or EEPROM write) Time-Out flag Set by H/W when IAP (or EEPROM write) Time-out occurs. Cleared by H/W when IAPWE=0 (or EEPWE=0).
		5	EEPWE	R	0	Flag indicates EEPROM memory can be written or not 0: EEPROM Write disable 1: EEPROM Write enable

Adr	SFR	Bit#	Bit Name	R/W	Rst	Description
CAh	RCP2L	7~0	RCP2L	R/W	00h	Timer2 reload/capture data low byte
CBh	RCP2H	7~0	RCP2H	R/W	00h	Timer2 reload/capture data high byte
CCh	TL2	7~0	TL2	R/W	00h	Timer2 data low byte
CDh	TH2	7~0	TH2	R/W	00h	Timer2 data high byte
D0h	PSW	7	CY	R/W	0	ALU carry flag
		6	AC	R/W	0	ALU auxiliary carry flag
		5	F0	R/W	0	General purpose user-definable flag
		4	RS1	R/W	0	Register Bank Select bit 1
		3	RS0	R/W	0	Register Bank Select bit 0
		2	OV	R/W	0	ALU overflow flag
		1	F1	R/W	0	General purpose user-definable flag
		0	P	R/W	0	Parity flag
D1h	PILOE	7~0	PILOE	R/W	00h	Port1 LCD 1/2 bias output enable control 0: Disable 1: Enable
D2h	P2LOE	1~0	P2LOE	R/W	00h	Port2 LCD 1/2 bias output enable control 0: Disable 1: Enable
D3h	P3LOE	7~0	P3LOE	R/W	00h	Port3 LCD 1/2 bias output enable control 0: Disable 1: Enable
D8h	CLKCON	7	SCKTYPE	R/W	0	Slow clock Type. This bit can be changed only in Fast mode (SELFCK=1) 0: SRC 1: SXT, P2.0 and P2.1 are crystal pins
		6	FCKTYPE	R/W	0	Fast clock type. This bit can be changed only in Slow mode (SELFCK=0). 0: FRC 1: FXT, P2.0 and P2.1 are crystal pins, oscillator gain is high for FXT
		5	STPSCK	R/W	1	Set 1 to stop Slow clock in Stop mode.
		4	STPPCK	R/W	0	Set 1 to stop UART/Timer0/1/2 clock in Idle mode for current reducing.
		3	STPFCK	R/W	0	Set 1 to stop Fast clock for power saving in Slow/Idle mode. This bit can be changed only in Slow mode.
		2	SELFCK	R/W	0	System clock select. This bit can be changed only when STPFCK=0. 0: Slow clock 1: Fast clock
		1~0	CLKPSC	R/W	11	System clock prescaler. Effective after 16 clock cycles (Max.) delay. 00: System clock is Fast/Slow clock divided by 16 01: System clock is Fast/Slow clock divided by 4 10: System clock is Fast/Slow clock divided by 2 11: System clock is Fast/Slow clock divided by 1
E0h	ACC	7~0	ACC	R/W	00h	Accumulator
E5h	EFTCON	7	EFT2CS	R/W	0	EFT2 Detector enable 0: Disable EFT2 1: Enable EFT2
		6	EFT1CS	R/W	0	EFT1 Detector enable 0: Disable EFT1 1: Enable EFT1
		5~4	EFT1S	R/W	00	EFT1 Detector sensitivity adjustment
		3	EFTSLOW	R/W	0	Force F _{SYSLK} to Slow clock while EFT detected 0: Disable 1: Enable
		2	EFTWCPU	R/W	0	CPU enter wait state while EFT detected 0: Disable 1: Enable

Adr	SFR	Bit#	Bit Name	R/W	Rst	Description
		1	EFTWOUT	R/W	0	EFTWAIT output to pin 0: P0.7 = normal I/O 1: P0.7 = EFTWAIT
		0	CKHLDE	R/W	0	Clock Hold enable 0: Disable 1: Enable
EFh	AUX3	5~3	TM3PSC	R/W	000	Timer3 Interrupt rate 000: Timer3 Interrupt rate is 32768 Slow clock cycle 001: Timer3 Interrupt rate is 16384 Slow clock cycle 010: Timer3 Interrupt rate is 8192 Slow clock cycle 011: Timer3 Interrupt rate is 4096 Slow clock cycle 100: Timer3 Interrupt rate is 2048 Slow clock cycle 101: Timer3 Interrupt rate is 1024 Slow clock cycle 110: Timer3 Interrupt rate is 512 Slow clock cycle 111: Timer3 Interrupt rate is 256 Slow clock cycle
		2	VBGEN	R/W	0	Bandgap voltage enable control 0: V _{BG} /VBGO disable at Idle/Halt/Stop mode 1: Force V _{BG} /VBGO to be enabled, included in Idle mode, but disabled in Halt/Stop mode
		1	–	–	0	Reserved, Keep 0
		0	ADCVREFS	R/W	0	ADC reference voltage (V _{REF}) select 0: V _{CC} 1: 2.5V
F0h	B	7~0	B	R/W	00h	B register
F1h	CRCDL	7~0	CRCDL	R/W	FFh	16-bit CRC data bit 7~0
F2h	CRCDH	7~0	CRCDH	R/W	FFh	16-bit CRC data bit 15~8
F3h	CRCIN	7~0	CRCIN	W	–	CRC input data
F5h	CFGBG	4~0	BGTRIM	R/W	–	Bandgap voltage trimming value
F6h	CFGWL	6~0	FRCF	R/W	–	FRC frequency adjustment 00h: lowest frequency ... 7Fh: highest frequency
F7h	AUX2	7~6	WDTE	R/W	–	Watchdog Timer Reset control 0x: WDT disable 10: WDT enable in Fast/Slow mode, disable in Idle/Halt/Stop mode 11: WDT always enable
		5	PWRSVAV	R/W	–	Set 1 to reduce the chip's power consumption at Idle/Halt/Stop mode.
		4	VBGOUT	R/W	0	Bandgap voltage output control 0: P3.2 as normal I/O 1: Bandgap voltage output to P3.2 pin, when ADCHS = 1011b
		3	–	–	0	Reserved, Keep 0
		2~1	IAPTE	R/W	11	IAP (or EEPROM write) watchdog timer enable 00: Disable 01: wait 1.5ms trigger watchdog time-out flag 10: wait 5.8ms trigger watchdog time-out flag 11: wait 11.7ms trigger watchdog time-out flag
		0	LVRPD	R/W	0	LVR power down 0: LVR enable 1: LVR disable
F8h	AUX1	7	CLRWDT	R/W	0	Set 1 to clear WDT, H/W auto clear it at next clock cycle
		6	CLRTM3	R/W	0	Set 1 to clear Timer3, HW auto clear it at next clock cycle.
		5	TKSOC	R/W	0	Touch Key Start of Conversion Set 1 to start Touch Key conversion. If SYSCLK is fast enough, this bit will be cleared by H/W at the end of conversion. S/W can also write 0 to clear this flag.
		4	ADSOC	R/W	0	ADC Start of Conversion Set 1 to start ADC conversion. Cleared by H/W at the end of conversion. S/W can also write 0 to clear this flag.

Adr	SFR	Bit#	Bit Name	R/W	Rst	Description
		3	CLRPWM0	R/W	0	PWM0 clear enable 0: PWM0 is running 1: PWM0 is cleared and held
		2	T2SEL	R/W	0	Timer2 Counter mode, T2 pin input select 0: P1.0 (T2) 1: Slow clock/16
		1	T1SEL	R/W	0	Timer1 Counter mode, T1 pin input select 0: P3.5 (T1) 1: Slow clock/16
		0	DPSEL	R/W	0	Active DPTR Select

Adr	Flash	Bit#	Bit Name	Description
3FFBh	CFGGB	4~0	BGTRIM	Bandgap voltage adjustment. V_{BG} is trimmed to 1.20V in chip manufacturing. BGTRIM records the adjustment data.
3FFDh	CFGWL	6~0	FRCF	FRC frequency adjustment. FRC is trimmed to 14.7456 MHz in chip manufacturing. FRCF records the adjustment data.
3FFFh	CFGWH	7	PROT	Flash Code Protect, 1=Protect
		6	XRSTE	External Pin Reset enable, 1=enable.
		5~3	LVRE	Low Voltage Reset function select 000: Set LVR at 2.2V 001: Set LVR at 2.5V 010: Set LVR at 2.8V 011: Set LVR at 3.1V 100: Set LVR at 3.4V 101: Set LVR at 3.7V 110: Set LVR at 4.0V 111: Set LVR at 4.3V
		2	PREAD	Reserved
		1	MVCLOCK	If 1, the MOVC & MOVX instruction's accessibility to MOVC-Lock area is limited.
		0	FRCPSC	Reserved

INSTRUCTION SET

Instructions are 1, 2 or 3 bytes long as listed in the ‘byte’ column below. Each instruction takes 1~8 System clock cycles to execute as listed in the ‘cycle’ column below.

ARITHMETIC				
Mnemonic	Description	byte	cycle	opcode
ADD A,Rn	Add register to A	1	2	28-2F
ADD A,dir	Add direct byte to A	2	2	25
ADD A,@Ri	Add indirect memory to A	1	2	26-27
ADD A,#data	Add immediate to A	2	2	24
ADDC A,Rn	Add register to A with carry	1	2	38-3F
ADDC A,dir	Add direct byte to A with carry	2	2	35
ADDC A,@Ri	Add indirect memory to A with carry	1	2	36-37
ADDC A,#data	Add immediate to A with carry	2	2	34
SUBB A,Rn	Subtract register from A with borrow	1	2	98-9F
SUBB A,dir	Subtract direct byte from A with borrow	2	2	95
SUBB A,@Ri	Subtract indirect memory from A with borrow	1	2	96-97
SUBB A,#data	Subtract immediate from A with borrow	2	2	94
INC A	Increment A	1	2	04
INC Rn	Increment register	1	2	08-0F
INC dir	Increment direct byte	2	2	05
INC @Ri	Increment indirect memory	1	2	06-07
DEC A	Decrement A	1	2	14
DEC Rn	Decrement register	1	2	18-1F
DEC dir	Decrement direct byte	2	2	15
DEC @Ri	Decrement indirect memory	1	2	16-17
INC DPTR	Increment data pointer	1	4	A3
MUL AB	Multiply A by B	1	8	A4
DIV AB	Divide A by B	1	8	84
DA A	Decimal Adjust A	1	2	D4

LOGICAL				
Mnemonic	Description	byte	cycle	opcode
ANL A,Rn	AND register to A	1	2	58-5F
ANL A,dir	AND direct byte to A	2	2	55
ANL A,@Ri	AND indirect memory to A	1	2	56-57
ANL A,#data	AND immediate to A	2	2	54
ANL dir,A	AND A to direct byte	2	2	52
ANL dir,#data	AND immediate to direct byte	3	4	53
ORL A,Rn	OR register to A	1	2	48-4F
ORL A,dir	OR direct byte to A	2	2	45
ORL A,@Ri	OR indirect memory to A	1	2	46-47
ORL A,#data	OR immediate to A	2	2	44
ORL dir,A	OR A to direct byte	2	2	42
ORL dir,#data	OR immediate to direct byte	3	4	43
XRL A,Rn	Exclusive-OR register to A	1	2	68-6F
XRL A,dir	Exclusive-OR direct byte to A	2	2	65
XRL A,@Ri	Exclusive-OR indirect memory to A	1	2	66-67
XRL A,#data	Exclusive-OR immediate to A	2	2	64
XRL dir,A	Exclusive-OR A to direct byte	2	2	62
XRL dir,#data	Exclusive-OR immediate to direct byte	3	4	63
CLR A	Clear A	1	2	E4
CPL A	Complement A	1	2	F4
SWAP A	Swap Nibbles of A	1	2	C4

LOGICAL				
Mnemonic	Description	byte	cycle	opcode
RL A	Rotate A left	1	2	23
RLC A	Rotate A left through carry	1	2	33
RR A	Rotate A right	1	2	03
RRC A	Rotate A right through carry	1	2	13

DATA TRANSFER				
Mnemonic	Description	byte	cycle	opcode
MOV A,Rn	Move register to A	1	2	E8-EF
MOV A,dir	Move direct byte to A	2	2	E5
MOV A,@Ri	Move indirect memory to A	1	2	E6-E7
MOV A,#data	Move immediate to A	2	2	74
MOV Rn,A	Move A to register	1	2	F8-FF
MOV Rn,dir	Move direct byte to register	2	4	A8-AF
MOV Rn,#data	Move immediate to register	2	2	78-7F
MOV dir,A	Move A to direct byte	2	2	F5
MOV dir,Rn	Move register to direct byte	2	4	88-8F
MOV dir,dir	Move direct byte to direct byte	3	4	85
MOV dir,@Ri	Move indirect memory to direct byte	2	4	86-87
MOV dir,#data	Move immediate to direct byte	3	4	75
MOV @Ri,A	Move A to indirect memory	1	2	F6-F7
MOV @Ri,dir	Move direct byte to indirect memory	2	4	A6-A7
MOV @Ri,#data	Move immediate to indirect memory	2	2	76-77
MOV DPTR,#data	Move immediate to data pointer	3	4	90
MOVC A,@A+DPTR	Move code byte relative DPTR to A	1	8	93
MOVC A,@A+PC	Move code byte relative PC to A	1	8	83
MOVX A,@Ri	Move external data(A8) to A	1	8	E2-E3
MOVX A,@DPTR	Move external data(A16) to A	1	8	E0
MOVX @Ri,A	Move A to external data(A8)	1	8	F2-F3
MOVX @DPTR,A	Move A to external data(A16)	1	8	F0
PUSH dir	Push direct byte onto stack	2	4	C0
POP dir	Pop direct byte from stack	2	4	D0
XCH A,Rn	Exchange A and register	1	2	C8-CF
XCH A,dir	Exchange A and direct byte	2	2	C5
XCH A,@Ri	Exchange A and indirect memory	1	2	C6-C7
XCHD A,@Ri	Exchange A and indirect memory nibble	1	2	D6-D7

BOOLEAN				
Mnemonic	Description	byte	cycle	opcode
CLR C	Clear carry	1	2	C3
CLR bit	Clear direct bit	2	2	C2
SETB C	Set carry	1	2	D3
SETB bit	Set direct bit	2	2	D2
CPL C	Complement carry	1	2	B3
CPL bit	Complement direct bit	2	2	B2
ANL C,bit	AND direct bit to carry	2	4	82
ANL C,/bit	AND direct bit inverse to carry	2	4	B0
ORL C,bit	OR direct bit to carry	2	4	72
ORL C,/bit	OR direct bit inverse to carry	2	4	A0
MOV C,bit	Move direct bit to carry	2	2	A2
MOV bit,C	Move carry to direct bit	2	4	92

BRANCHING				
Mnemonic	Description	byte	cycle	opcode
ACALL addr 11	Absolute jump to subroutine	2	6	11-F1
LCALL addr 16	Long jump to subroutine	3	6	12
RET	Return from subroutine	1	6	22
RETI	Return from interrupt	1	6	32
AJMP addr 11	Absolute jump unconditional	2	6	01-E1
LJMP addr 16	Long jump unconditional	3	6	02
SJMP rel	Short jump (relative address)	2	6	80
JC rel	Jump on carry = 1	2	4 (or 6)	40
JNC rel	Jump on carry = 0	2	4 (or 6)	50
JB bit,rel	Jump on direct bit = 1	3	4 (or 6)	20
JNB bit,rel	Jump on direct bit = 0	3	4 (or 6)	30
JBC bit,rel	Jump on direct bit = 1 and clear	3	4 (or 6)	10
JMP @A+DPTR	Jump indirect relative DPTR	1	6	73
JZ rel	Jump on accumulator = 0	2	4 (or 6)	60
JNZ rel	Jump on accumulator ≠ 0	2	4 (or 6)	70
CJNE A,dir,rel	Compare A,direct, jump not equal relative	3	4 (or 6)	B5
CJNE A,#data,rel	Compare A,immediate, jump not equal relative	3	4 (or 6)	B4
CJNE Rn,#data,rel	Compare register,immediate, jump not equal relative	3	4 (or 6)	B8-BF
CJNE @Ri,#data,rel	Compare indirect,immediate, jump not equal relative	3	4 (or 6)	B6-B7
DJNZ Rn,rel	Decrement register, jump not zero relative	2	4 (or 6)	D8-DF
DJNZ dir,rel	Decrement direct byte, jump not zero relative	3	4 (or 6)	D5

MISCELLANEOUS				
Mnemonic	Description	byte	cycle	opcode
NOP	No operation	1	2	00

In the above table, an entry such as E8-EF indicates a continuous block of hex opcodes used for 8 different registers, the register numbers of which are defined by the lowest three bits of the corresponding code. Non-continuous blocks of codes, shown as 11-F1 (for example), are used for absolute jumps and calls with the top 3 bits of the code being used to store the top three bits of the destination address.

ELECTRICAL CHARACTERISTICS

1. Absolute Maximum Ratings ($T_A=25^\circ\text{C}$)

Parameter	Rating	Unit
Supply voltage	$V_{SS}-0.3 \sim V_{SS}+5.5$	V
Input voltage	$V_{SS}-0.3 \sim V_{CC}+0.3$	
Output voltage	$V_{SS}-0.3 \sim V_{CC}+0.3$	
Output current high per all PIN	-80	mA
Output current low per all PIN	+150	
Maximum Operating Voltage	5.5	V
Operating temperature	-40 ~ +105	°C
Storage temperature	-65 ~ +150	

2. DC Characteristics ($T_A=25^\circ\text{C}$, $V_{CC}=2.2\text{V} \sim 5.5\text{V}$)

Parameter	Symbol	Conditions	Min	Typ	Max	Unit	
Operating Voltage	V_{CC}	$F_{SYSCLK}=14.7456\text{ MHz}$	2.2	-	5.5	V	
Input High Voltage	V_{IH}	All Input	$V_{CC}=5\text{V}$	$0.6V_{CC}$	-	V	
			$V_{CC}=3\text{V}$	$0.6V_{CC}$	-	V	
Input Low Voltage	V_{IL}	All Input	$V_{CC}=5\text{V}$	-	$0.2V_{CC}$	V	
			$V_{CC}=3\text{V}$	-	$0.2V_{CC}$	V	
I/O Port Source Current	I_{OH}	All Output LEDSMDIS=1	$V_{CC}=5\text{V}$, $V_{OH}=0.9V_{CC}$	6	12	-	mA
			$V_{CC}=5\text{V}$, $V_{OH}=0.6V_{CC}$	19	38	-	
			$V_{CC}=3\text{V}$, $V_{OH}=0.9V_{CC}$	2.5	5	-	
			$V_{CC}=3\text{V}$, $V_{OH}=0.6V_{CC}$	7.5	15	-	
		LED Pins (P0.0~P0.3, P2.0~P2.1, P3.4~P3.7) LEDSMDIS=0	$V_{CC}=5\text{V}$, $V_{OH}=0.9V_{CC}$	6	12	-	
			$V_{CC}=5\text{V}$, $V_{OH}=0.6V_{CC}$	11	22	-	
			$V_{CC}=3\text{V}$, $V_{OH}=0.9V_{CC}$	2.5	5	-	
			$V_{CC}=3\text{V}$, $V_{OH}=0.6V_{CC}$	4.5	9	-	
I/O Port Sink Current	I_{OL}	All Output,	$V_{CC}=5\text{V}$, $V_{OL}=0.1V_{CC}$ HSNKxEN=1	64	80	-	mA
			$V_{CC}=5\text{V}$, $V_{OL}=0.1V_{CC}$ HSNKxEN=0	32	40	-	
			$V_{CC}=3\text{V}$, $V_{OL}=0.1V_{CC}$ HSNKxEN=1	32	40	-	
			$V_{CC}=3\text{V}$, $V_{OL}=0.1V_{CC}$ HSNKxEN=0	10	20	-	

Parameter	Symbol	Conditions		Min	Typ	Max	Unit
Supply Current	I _{DD}	Fast mode V _{CC} =5V	FRC=14.7456 MHz	–	8	–	mA
			FRC=7.3728 MHz	–	5.7	–	
		Fast mode V _{CC} =3V	FRC=14.7456 MHz	–	4.5	–	
			FRC=7.3728 MHz	–	3.3	–	
		Slow mode SRC	V _{CC} =3V	–	2.5	–	
			V _{CC} =5V	–	1.6	–	
		Idle mode PWRSAV=0	SRC, V _{CC} =5V	–	90	–	μA
			SRC, V _{CC} =3V	–	65	–	
		Idle mode PWRSAV=1	SRC, V _{CC} =5V	–	40	–	
			SRC, V _{CC} =3V	–	16	–	
Stop mode PWRSAV=1	V _{CC} =5V	0.4	–	–			
	V _{CC} =3V	0.1	–	–			
Halt mode PWRSAV=1	V _{CC} =5V (Timer3=0.5 sec)	23	–	–			
	V _{CC} =3V (Timer3=0.5 sec)	5.5	–	–			
System Clock Frequency	F _{SYSCLK}	V _{CC} > LVR _{TH}	V _{CC} =2.2V	–	–	14.7456	MHz
LVR Reference Voltage	V _{LVR}	T _A =25°C	–	4.3	–	V	
			–	4.0	–		
			–	3.7	–		
			–	3.4	–		
			–	3.1	–		
			–	2.8	–		
			–	2.5	–		
–	2.2	–					
LVR Hysteresis Voltage	V _{HYST}	T _A =25°C	–	±0.1	–	V	
Low Voltage Detection time	t _{LVR}	T _A =25°C	100	–	–	μs	
Pull-Up Resistor	R _P	V _{IN} =0V	V _{CC} =5V	–	30	–	KΩ
			V _{CC} =3V	–	50	–	

3. Clock Timing (T_A= -40°C ~ +105°C)

Parameter	Condition	Min	Typ	Max	Unit
FRC Frequency	25°C, V _{CC} =5.0V	-1%	14.7456	+1%	MHz
	0°C ~ 105°C, V _{CC} =5.0V	-1.5%	14.7456	+1.5%	
	-40°C ~ 105°C, V _{CC} =3.0 ~ 5.5V	-3%	14.7456	+3%	

4. Reset Timing Characteristics ($T_A = -40^\circ\text{C} \sim +105^\circ\text{C}$)

Parameter	Conditions	Min	Typ	Max	Unit
RESET Input Low width	Input $V_{CC}=5V \pm 10\%$	30	–	–	μs
WDT wakeup time	$V_{CC}=5V$, WDTPSC=11	–	50	–	ms
	$V_{CC}=3V$, WDTPSC=11	–	56	–	

5. ADC Electrical Characteristics ($T_A = 25^\circ\text{C}$, $V_{CC} = 3.0V \sim 5.5V$, $V_{SS} = 0V$)

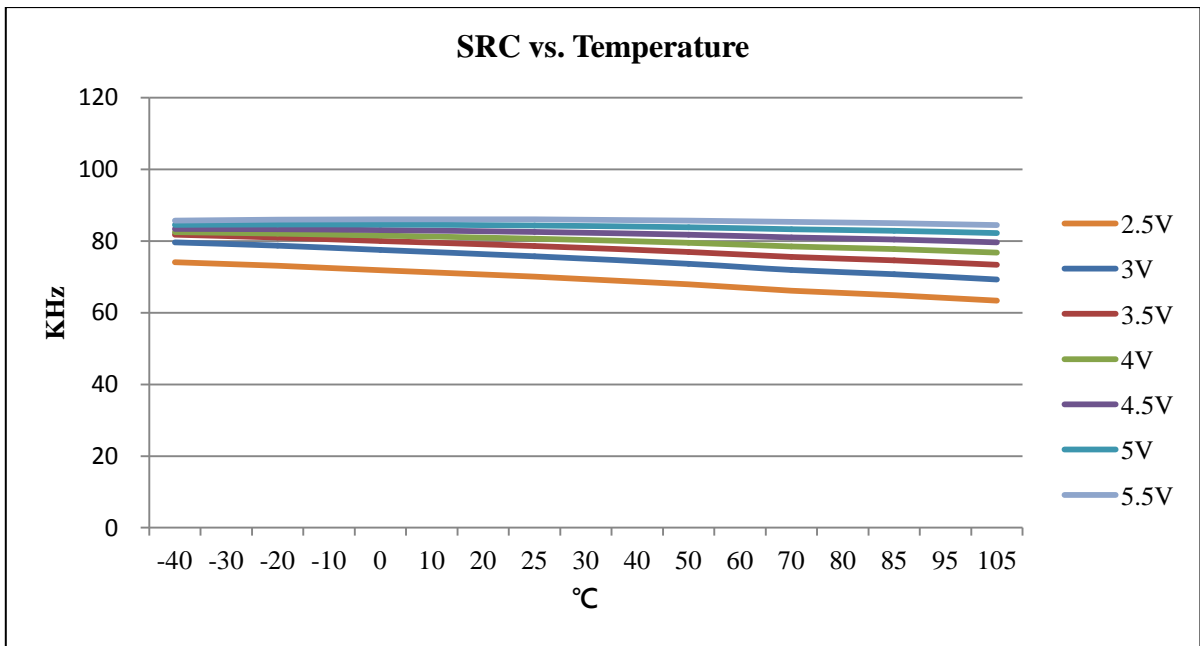
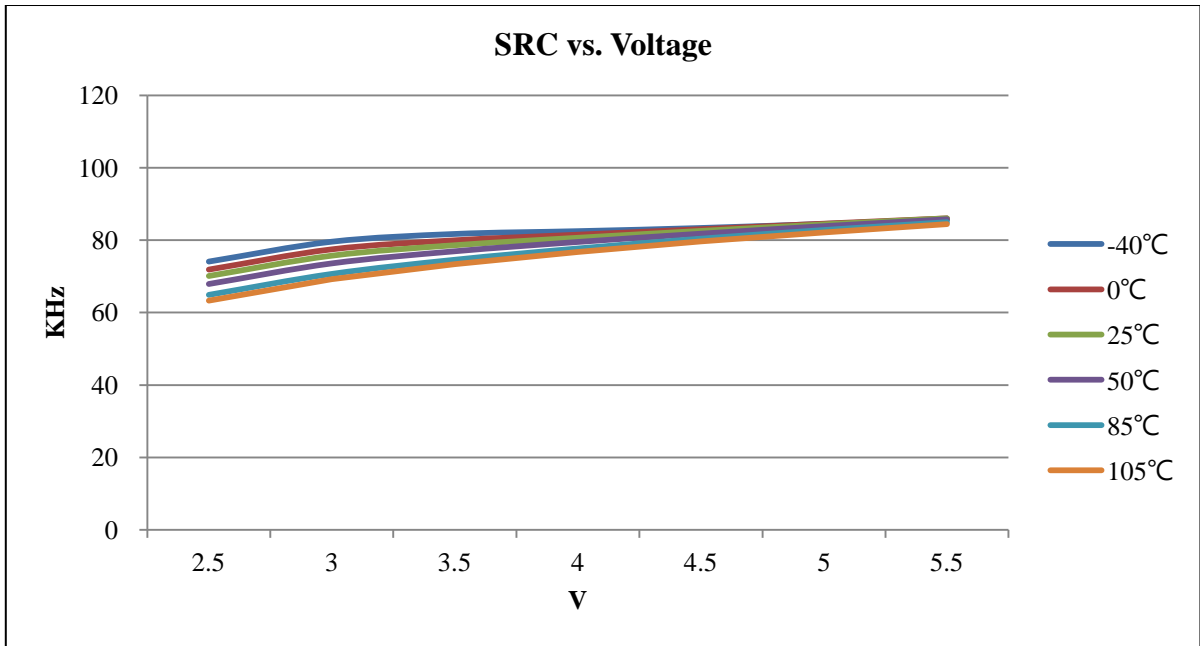
Parameter	Conditions	Min	Typ	Max	Unit
Total Accuracy	$V_{CC}=5.12V$, $V_{SS}=0V$	–	± 2.5	± 4	LSB
Integral Non-Linearity		–	± 3.2	± 5	
Max Input Clock (f_{ADC}) Total Accuracy	Source impedance ($R_s < 10K\ \text{ohm}$)	–	–	2	MHz
	Source impedance ($R_s < 20K\ \text{ohm}$)	–	–	1	
	Source impedance ($R_s < 50K\ \text{ohm}$)	–	–	0.5	
	Source is V_{BG} (ADCHS=1011b)	–	–	2.3	
Integral Non-Linearity	$F_{ADC} = 1\text{MHz}$	–	50	–	μs
BandGap Voltage Reference (V_{BG})	$-40^\circ\text{C} \sim 105^\circ\text{C}$, $V_{CC}=3V \sim 5.5V$	-1.5%	1.20	+1.5%	V
ADC reference voltage (V_{REF})	$-40^\circ\text{C} \sim 105^\circ\text{C}$, $V_{CC}=3V \sim 5.5V$ (ADCVREFS=1)	-1.5%	2.5	+1.5%	
$V_{CC}/4$ reference voltage	$V_{CC}=5V$, 25°C	-0.8%	1.26	+0.8%	
	$V_{CC}=3.6V$, 25°C	-0.8%	0.907	+0.8%	
Input Voltage	–	V_{SS}	–	V_{CC}	

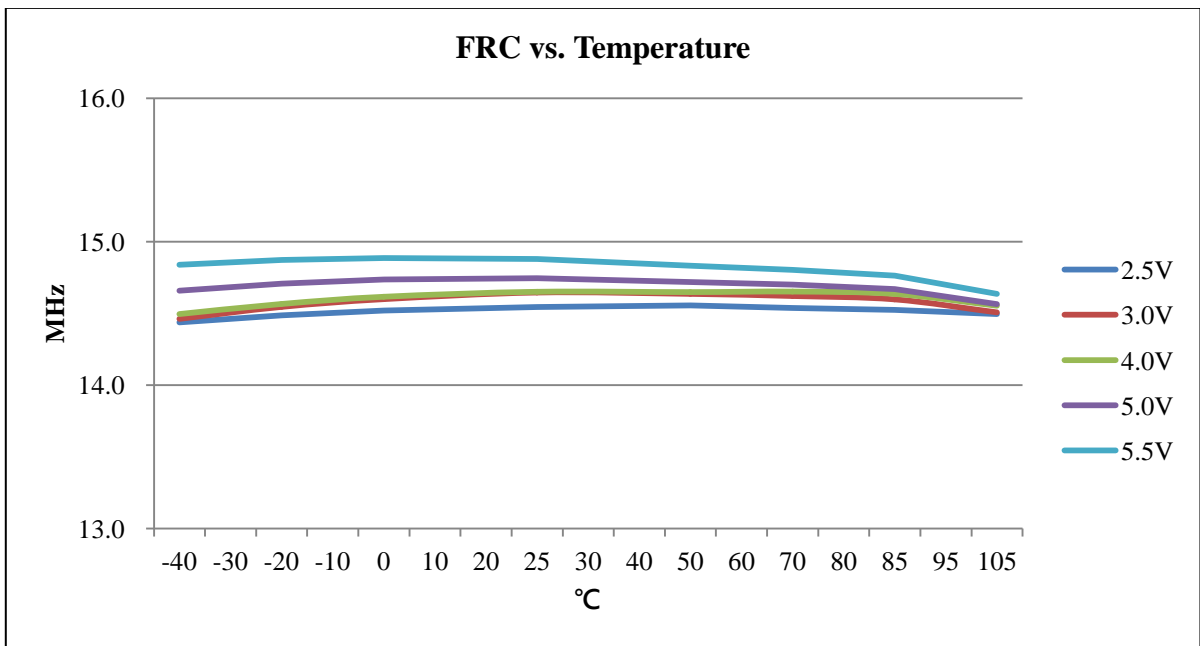
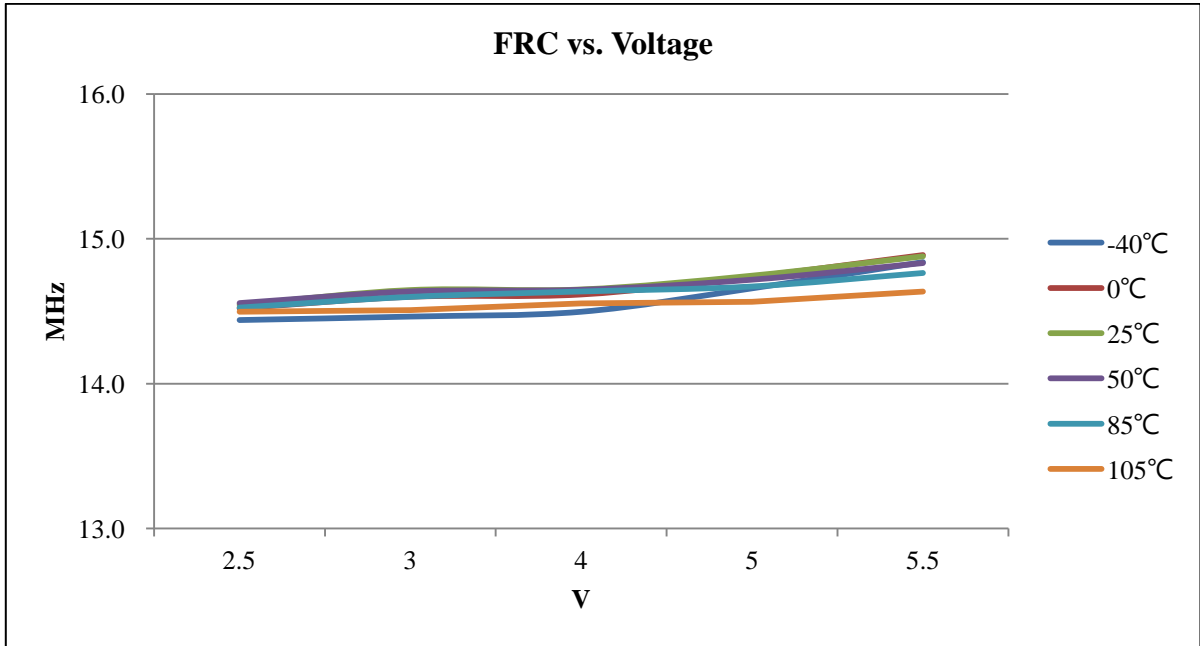
6. EEPROM Characteristics

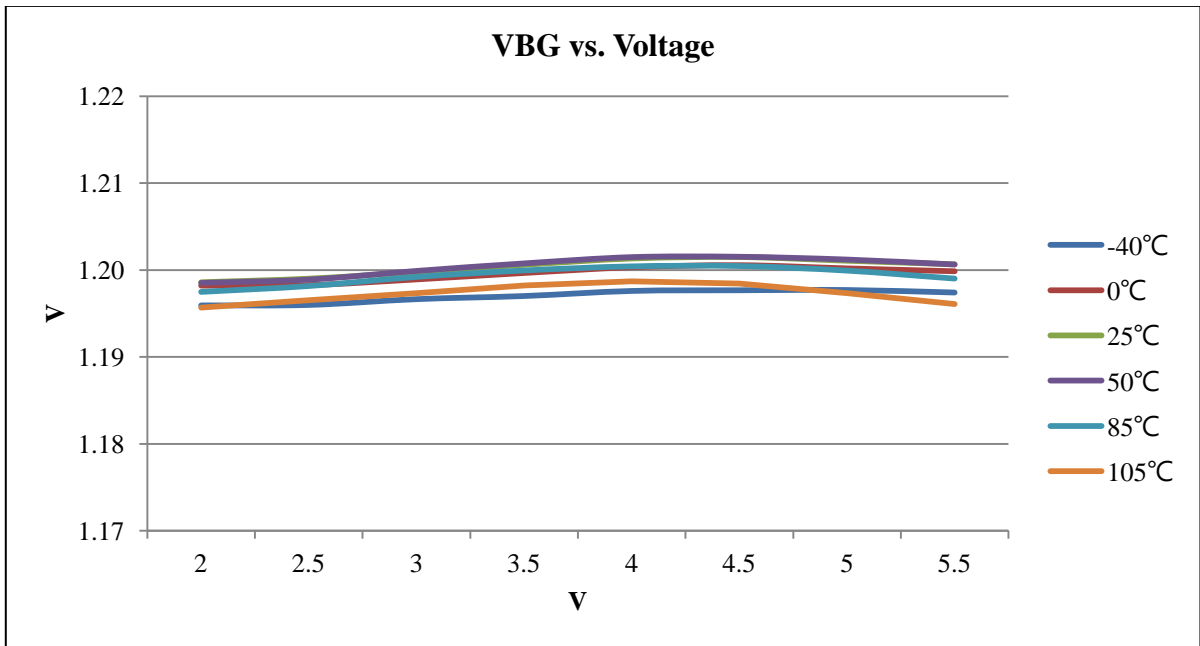
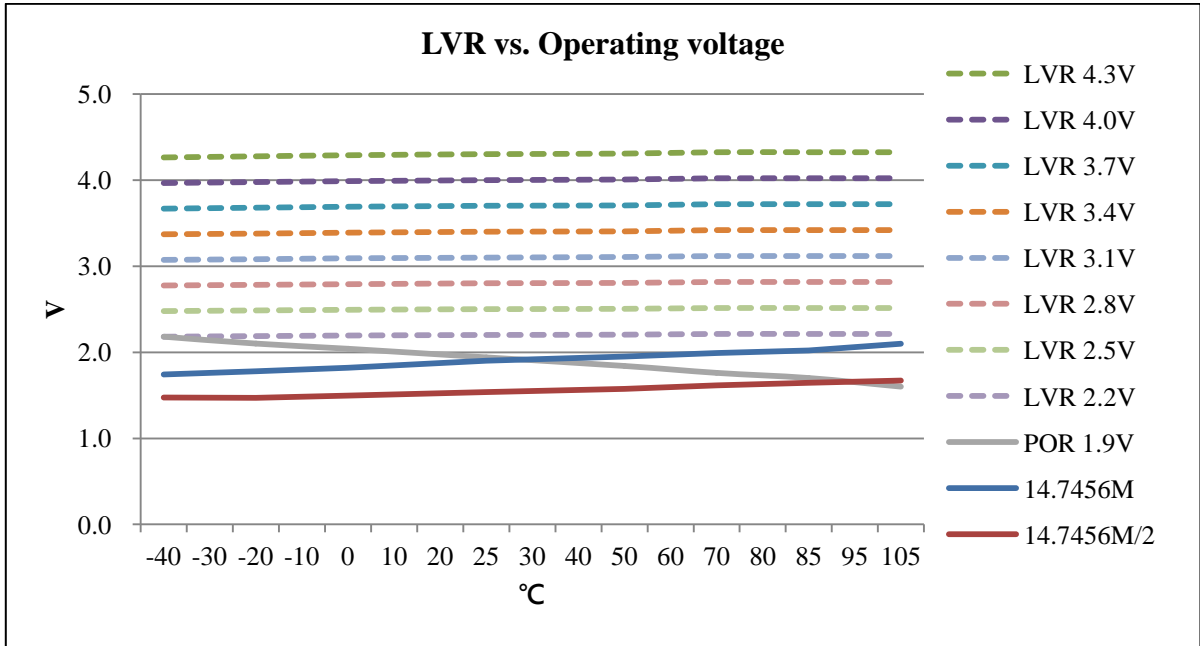
Parameter	Conditions	Min	Typ	Max	Unit
Write Voltage	$-20^\circ\text{C} \sim 85^\circ\text{C}$	3.0	5	5.5	V
	$0^\circ\text{C} \sim 105^\circ\text{C}$	4.5	5	5.5	
Write Endurance*	$V_{CC} = 5V$, -20°C	30K	–	–	cycles
	$V_{CC} = 5V$, -10°C	50K	–	–	
	$V_{CC} = 3.0V \sim 5V$, 85°C	50K	–	–	
	$V_{CC} = 4.5V$, $0^\circ\text{C} \sim 105^\circ\text{C}$	50K	–	–	

Note: The value of this parameter is based on the characteristics of tested samples.

7. Characteristic Graphs







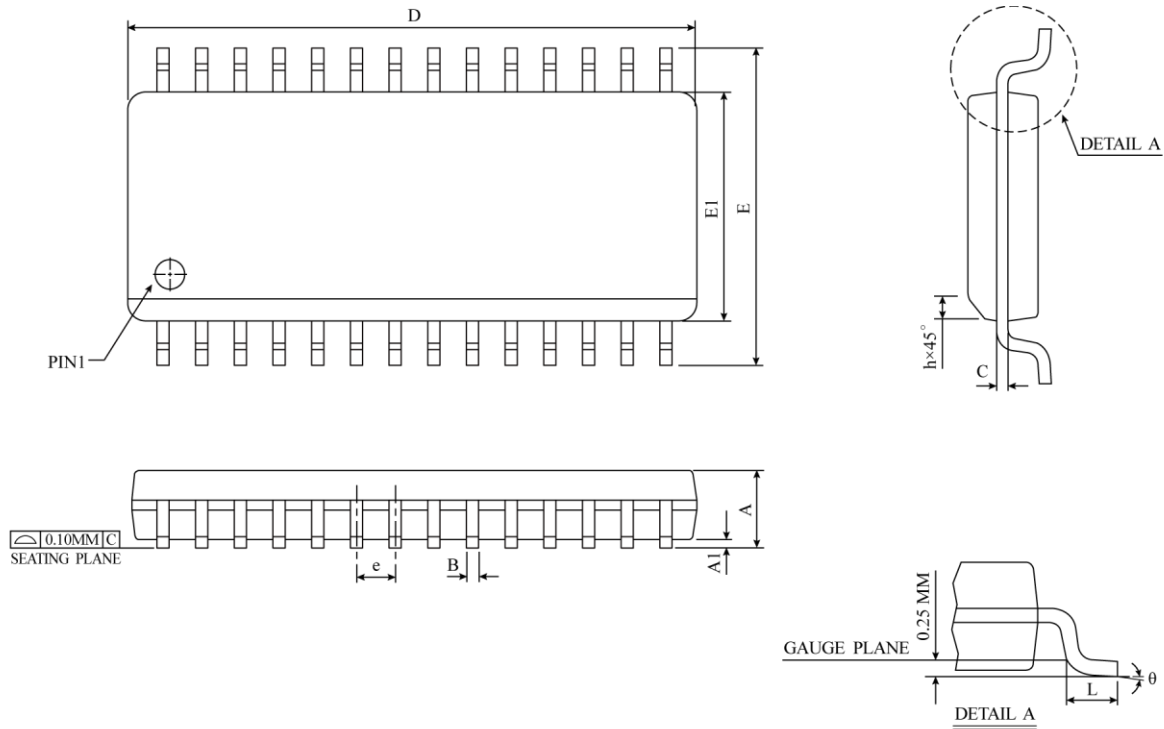
Package and Dice Information

Please note that the package information provided is for reference only. Since this information is frequently updated, users can contact Sales to consult the latest package information and stocks.

Ordering information

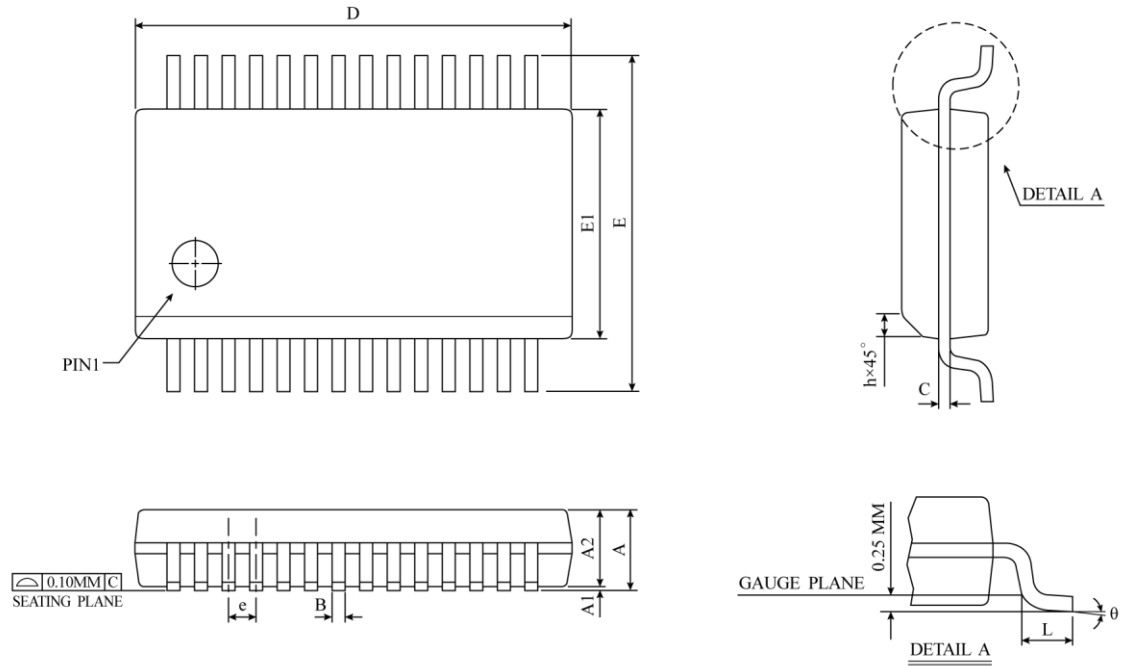
Ordering number	Package
TM52FN8273-MTP	Wafer/Dice blank chip
TM52FN8276-MTP	
TM52FN8274-MTP	
TM52FN8278-MTP	
TM52FN8273-COD	Wafer/Dice with code
TM52FN8276-COD	
TM52FN8274-COD	
TM52FN8278-COD	
TM52FN8273-MTP-23	SOP 28-pin (300 mil)
TM52FN8276-MTP-23	
TM52FN8274-MTP-23	
TM52FN8278-MTP-23	
TM52FN8273-MTP-29	SSOP 28-pin (150 mil)
TM52FN8276-MTP-29	
TM52FN8274-MTP-29	
TM52FN8278-MTP-29	
TM52FN8273-MTP-C3	QFN 28-pin (4x4x0.75-0.4 mm)
TM52FN8276-MTP-C3	
TM52FN8274-MTP-C3	
TM52FN8278-MTP-C3	

TM52FN8273-MTP-28	SSOP 24-pin (150 mil)
TM52FN8276-MTP-28	
TM52FN8274-MTP-28	
TM52FN8278-MTP-28	
TM52FN8273-MTP-21	SOP 20-pin (300 mil)
TM52FN8276-MTP-21	
TM52FN8274-MTP-21	
TM52FN8278-MTP-21	
TM52FN8273-MTP-D1	QFN 20-pin (3x3x0.75-0.4 mm) (L=0.25mm)
TM52FN8276-MTP-D1	
TM52FN8274-MTP-D1	
TM52FN8278-MTP-D1	
TM52FN8273-MTP-16	SOP 16-pin (150 mil)
TM52FN8276-MTP-16	
TM52FN8274-MTP-16	
TM52FN8278-MTP-16	

Package Information
SOP-28 (300mil) Package Dimension


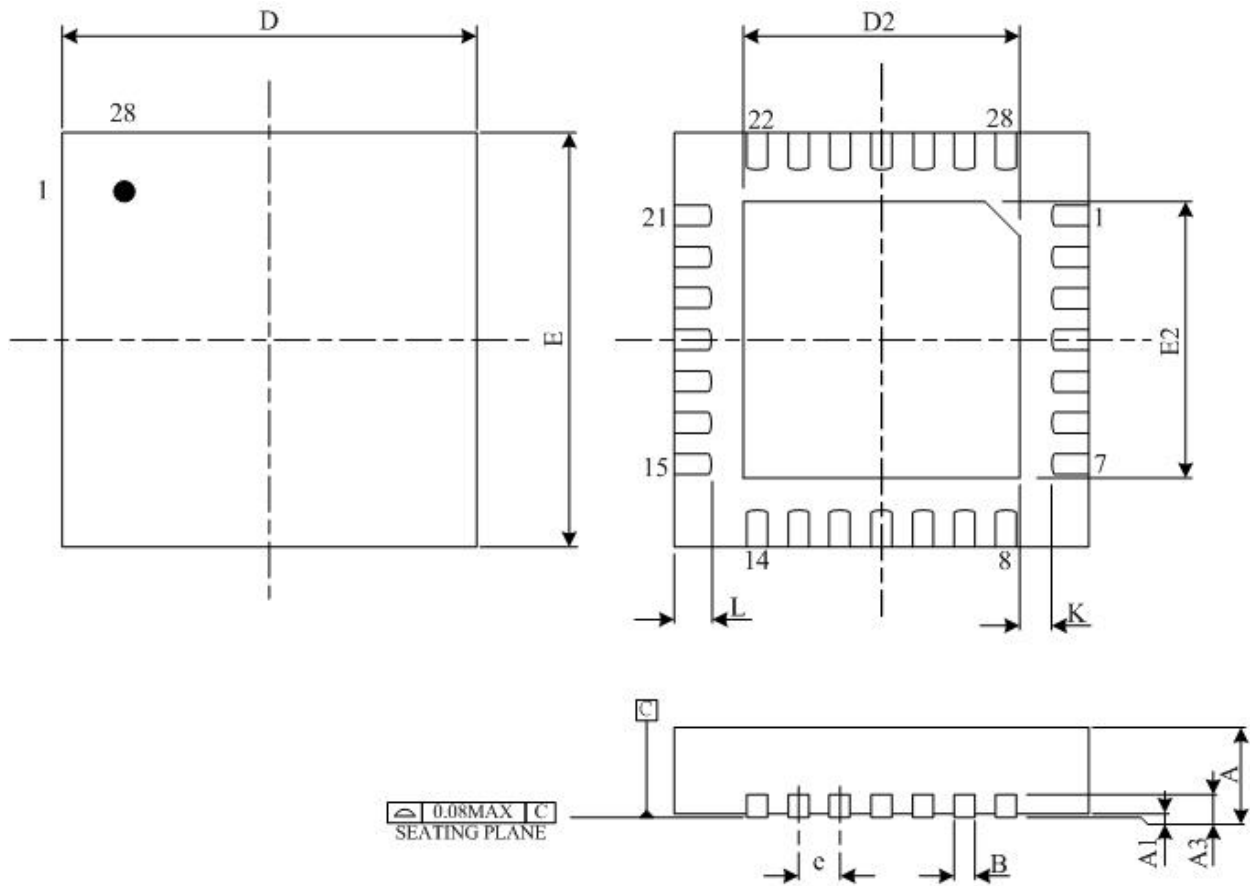
SYMBOL	DIMENSION IN MM			DIMENSION IN INCH		
	MIN	NOM	MAX	MIN	NOM	MAX
A	2.35	2.50	2.65	0.0926	0.0985	0.1043
A1	0.10	0.20	0.30	0.0040	0.0079	0.0118
B	0.33	0.42	0.51	0.0130	0.0165	0.0200
C	0.23	0.28	0.32	0.0091	0.0108	0.0125
D	17.70	17.90	18.10	0.6969	0.7047	0.7125
E	10.00	10.33	10.65	0.3940	0.4425	0.4910
E1	7.40	7.50	7.60	0.2914	0.2953	0.2992
e	1.27 BSC			0.050 BSC		
h	0.25	0.50	0.75	0.0100	0.0195	0.0290
L	0.40	0.84	1.27	0.0160	0.0330	0.0500
θ	0°	4°	8°	0°	4°	8°
JEDEC	MS-013 (AE)					

△ *NOTES : DIMENSION "D" DOES NOT INCLUDE MOLD FLASH, PROTRUSIONS OR GATE BURRS.
MOLD FLASH, PROTRUSIONS AND GATE BURRS SHALL
NOT EXCEED 0.15 MM (0.006 INCH) PER SIDE.

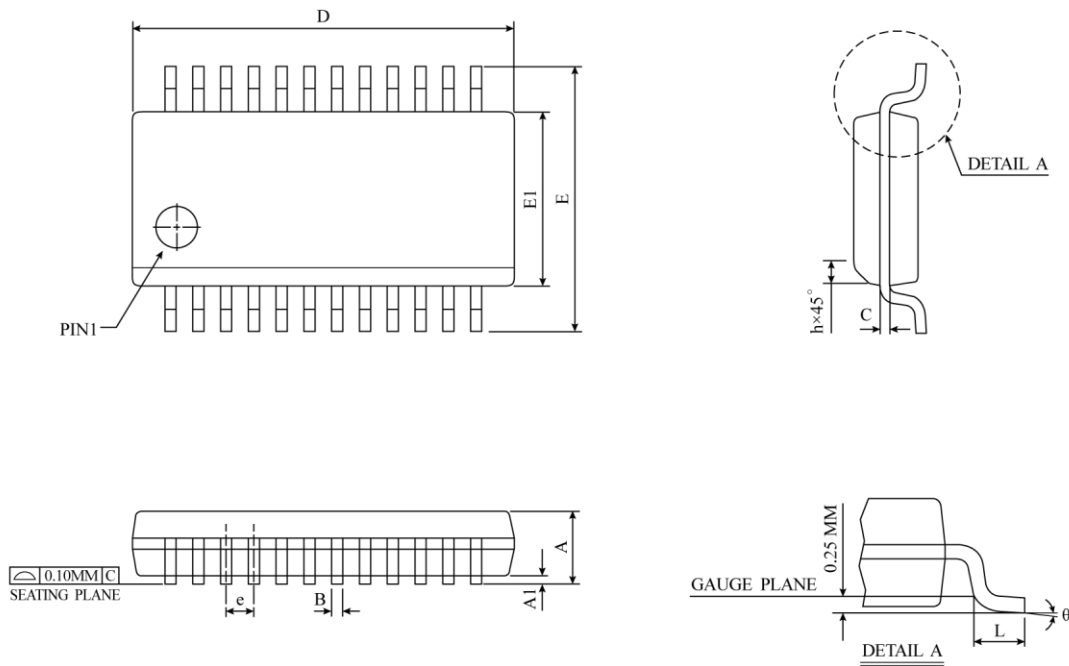
SSOP-28 (150mil) Package Dimension


SYMBOL	DIMENSION IN MM			DIMENSION IN INCH		
	MIN	NOM	MAX	MIN	NOM	MAX
A	1.50	1.65	1.80	0.06	0.06	0.07
A1	0.102	0.176	0.249	0.004	0.007	0.010
A2	1.40	1.475	1.55	0.06	0.06	0.06
B	0.20	0.25	0.30	0.01	0.01	0.01
C	0.2TYP			0.008TYP		
e	0.635TYP			0.025TYP		
D	9.804	9.881	9.957	0.386	0.389	0.392
E	5.842	6.020	6.198	0.230	0.237	0.244
E1	3.86	3.929	3.998	0.152	0.155	0.157
L	0.406	0.648	0.889	0.016	0.026	0.035
θ	0°	4°	8°	0°	4°	8°
JEDEC	M0-137(AF)					

△ *NOTES : DIMENSION “D” DOES NOT INCLUDE MOLD PROTRUSIONS OR GATE BURRS.
MOLD PROTRUSIONS AND GATE BURRS SHALL NOT EXCEED 0.006 INCH PER SIDE.

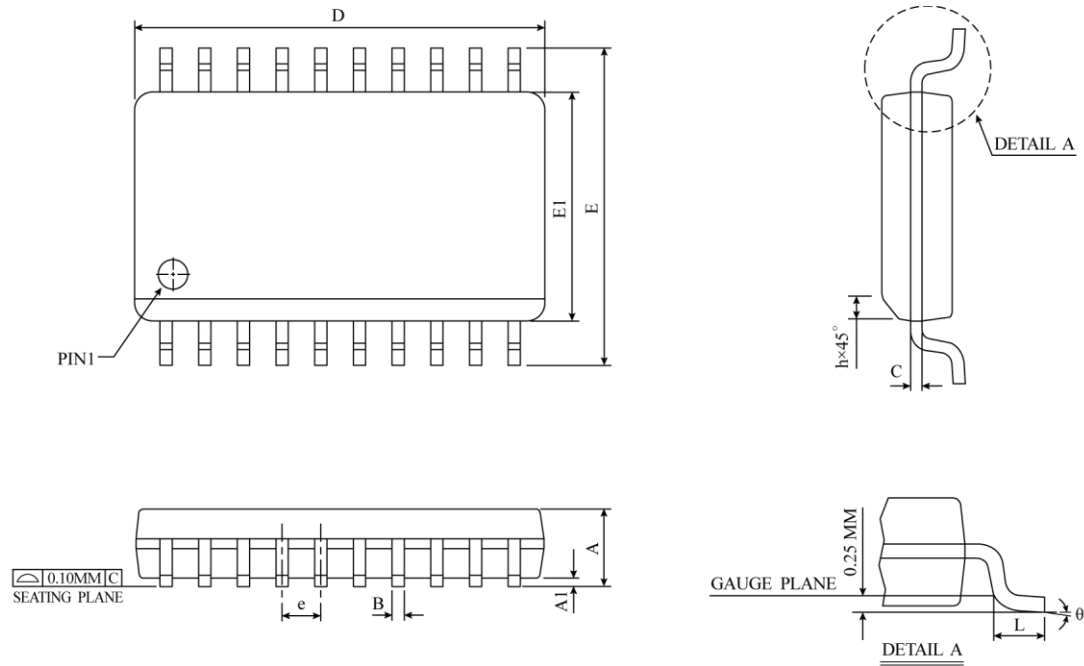
QFN-28 (4x4x0.75-0.4mm) Package Dimension


SYMBOL	DIMENSION IN MM			DIMENSION IN INCH		
	MIN	NOM	MAX	MIN	NOM	MAX
A	0.7	0.75	0.8	0.028	0.030	0.031
A1	0	0.02	0.05	0	0.001	0.002
A3	0.203 REF			0.008 REF		
B	0.15	0.2	0.25	0.006	0.008	0.010
D	4 BSC			0.157		
E	4 BSC			0.157		
D2	2.2	2.3	2.4	0.087	0.091	0.094
E2	2.2	2.3	2.4	0.087	0.091	0.094
e	0.4 BSC			0.016		
L	0.3	0.4	0.5	0.012	0.016	0.020
K	0.45 REF			0.018		
JEDEC	MO-220					

SSOP-24 (150mil) Package Dimension


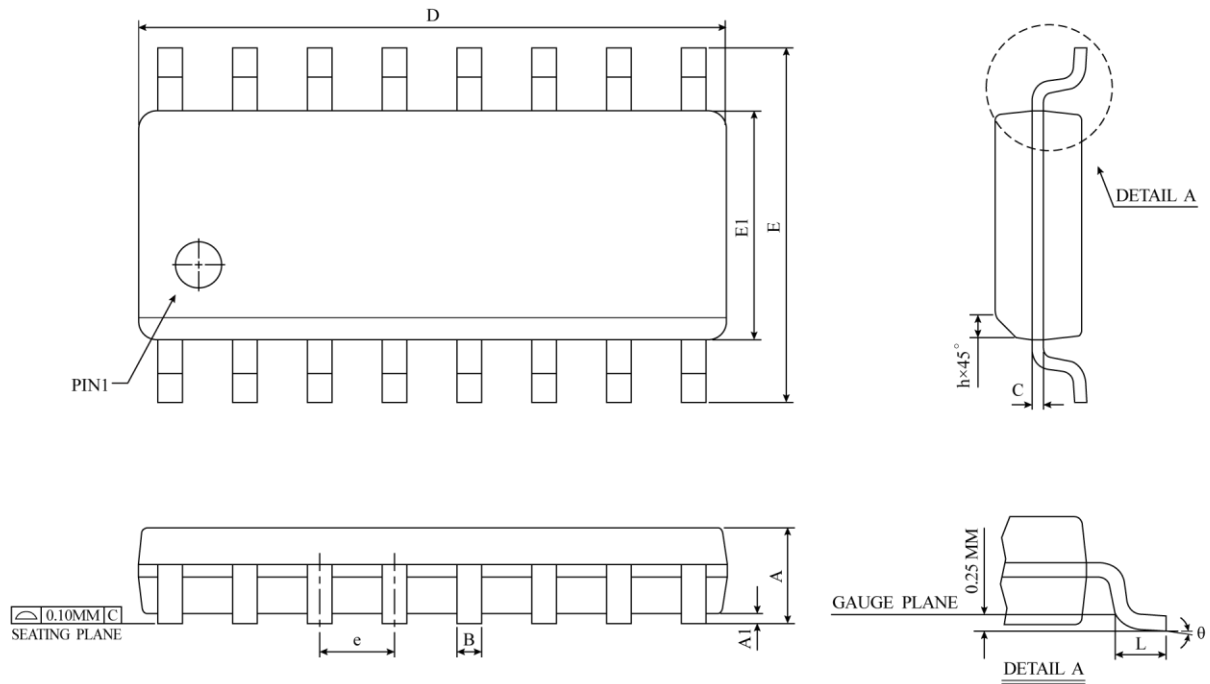
SYMBOL	DIMENSION IN MM			DIMENSION IN INCH		
	MIN	NOM	MAX	MIN	NOM	MAX
A	1.35	1.55	1.75	0.053	0.061	0.069
A1	0.10	0.18	0.25	0.004	0.007	0.010
A2	-	-	1.50	-	-	0.059
B	0.20	0.25	0.30	0.008	0.010	0.012
C	0.18	0.22	0.25	0.007	0.009	0.010
D	8.56	8.65	8.74	0.337	0.341	0.344
E	5.79	6.00	6.20	0.228	0.236	0.244
E1	3.81	3.90	3.99	0.150	0.154	0.157
e	0.635 BSC			0.025 BSC		
L	0.41	0.84	1.27	0.016	0.033	0.050
θ	0°	4°	8°	0°	4°	8°
JEDEC	M0-137 (AE)					

⚠ * NOTES : DIMENSION "D" DOES NOT INCLUDE MOLD PROTRUSIONS OR GAT BURRS.
MOLD PROTRUSIONS AND GATE BURRS SHALL NOT EXCEED 0.006 INCH PER SIDE.

SOP-20 (300mil) Package Dimension


SYMBOL	DIMENSION IN MM			DIMENSION IN INCH		
	MIN	NOM	MAX	MIN	NOM	MAX
A	2.35	2.50	2.65	0.0926	0.0985	0.1043
A1	0.10	0.20	0.30	0.0040	0.0079	0.0118
B	0.33	0.42	0.51	0.0130	0.0165	0.0200
C	0.23	0.28	0.32	0.0091	0.0108	0.0125
D	12.60	12.80	13.00	0.4961	0.5040	0.5118
E	10.00	10.33	10.65	0.3940	0.4425	0.4910
E1	7.40	7.50	7.60	0.2914	0.2953	0.2992
e	1.27 BSC			0.050 BSC		
h	0.25	0.50	0.75	0.0100	0.0195	0.0290
L	0.40	0.84	1.27	0.0160	0.0330	0.0500
θ	0°	4°	8°	0°	4°	8°
JEDEC	MS-013 (AC)					

▲ * NOTES : DIMENSION " D " DOES NOT INCLUDE MOLD FLASH, PROTRUSIONS OR GATE BURRS.
 MOLD FLASH, PROTRUSIONS AND GATE BURRS SHALL
 NOT EXCEED 0.15 MM (0.006 INCH) PER SIDE.

SOP-16 (150mil) Package Dimension


SYMBOL	DIMENSION IN MM			DIMENSION IN INCH		
	MIN	NOM	MAX	MIN	NOM	MAX
A	1.35	1.55	1.75	0.0532	0.0610	0.0688
A1	0.10	0.18	0.25	0.0040	0.0069	0.0098
B	0.33	0.42	0.51	0.0130	0.0165	0.0200
C	0.19	0.22	0.25	0.0075	0.0087	0.0098
D	9.80	9.90	10.00	0.3859	0.3898	0.3937
E	5.80	6.00	6.20	0.2284	0.2362	0.2440
E1	3.80	3.90	4.00	0.1497	0.1536	0.1574
e	1.27 BSC			0.050 BSC		
h	0.25	0.38	0.50	0.0099	0.0148	0.0196
L	0.40	0.84	1.27	0.0160	0.0330	0.0500
θ	0°	4°	8°	0°	4°	8°
JEDEC	MS-012 (AC)					

△ * NOTES : DIMENSION " D " DOES NOT INCLUDE MOLD FLASH, PROTRUSIONS OR GATE BURRS.
MOLD FLASH, PROTRUSIONS AND GATE BURRS SHALL
NOT EXCEED 0.15 MM (0.006 INCH) PER SIDE.